

PORTABLE GAS DETECTION PRICE LIST USD

JULY 2022



Honeywell

Table of Contents



Reference

- ii Product Selector
- iv Product Selector by Gas

Single-Gas Detectors

- 1 Honeywell BW Clip® Series
- 4 Honeywell BW™ Solo
- 10 Honeywell Transmission Risk Air Monitor

Multi-Gas Detectors

- 13 Honeywell BW™ Icon Series
- 17 Honeywell BW™ Flex Series
- 23 Honeywell BW™ MicroClip Series
- 29 Honeywell BW™ Clip4
- 31 GasAlertQuattro
- 37 Honeywell BW™ Max XT II
- 44 GasAlertMicro 5 Series
- 55 Honeywell BW™ Ultra
- 61 Honeywell BW™ RigRat

Sampling Equipment

- 65 Sampling Equipment

Docking, Testing and Data Management

- 67 Honeywell IntelliDoX®
- 71 MicroDock II

Connected Worker Solutions

- 76 Honeywell Safety Suite
- 80 Safety and Productivity Apps

Calibration Equipment

- 82 Honeywell BW Clip® Series, Honeywell BW™ Solo, Honeywell BW™ Icon Series, Honeywell BW™ Flex Series, Honeywell BW™ MicroClip Series, GasAlertQuattro, Honeywell BW™ Max XT II, GasAlertMicro 5 Series, Honeywell BW™ Ultra

Full Product Index

- 86 Single-Gas Detectors
- 90 Multi-Gas Detectors
- 99 Docking, Testing and Data Management
- 102 Connected Worker Solutions
- 103 Calibration Equipment
- 105 General Accessories, Replacements, Spares and Service Parts

Appendix

- 108 Filtered Catalytic Bead Combustible (LEL) Sensor Information
- 109 Portable Gas Detection Sensor Replacement Guide
- 111 PID Information
- 112 PID Detectable Gases
- 113 USA Quick Ship Program and Standard Lead Times
- 114 Honeywell Analytics Online
- 116 Warranty, Repair, Service and Returns

Note

Prices shown in this document do not include shipping or applicable taxes unless explicitly stated. Please note that prices, specifications and exact product offering are subject to change without notice. Additional shipping and handling fees may apply for some products. In the event a price is published incorrectly, Honeywell International reserves the right to sell the item at the correct (actual) price. This publication is not intended to form the basis of a contract.

Product Selector

Product	Features	No. of gases	Gases Detected	Warranty
Honeywell BW Clip® Series (page 1)	<ul style="list-style-type: none"> Zero-maintenance Low cost of ownership 	1	H ₂ S, CO, O ₂ , SO ₂	2 years or 3 years
Honeywell BW™ Solo (page 4)	<ul style="list-style-type: none"> User-settable options Large display Replaceable battery 	1	H ₂ S, CO, O ₂ , SO ₂ , NH ₃ , PH ₃ , Cl ₂ , ClO ₂ , NO, CO ₂ , NO ₂ , HCN, ETO, O ₃ , H ₂ , HCl, HF	3 years*
Honeywell BW™ Icon (page 13)	<ul style="list-style-type: none"> Icon display One-button operation Low cost of ownership IP 68 for unmatched dust and water protection 	4	H ₂ S, CO, O ₂ , SO ₂ , LEL (NDIR)	2 years
Honeywell BW™ Icon+ (page 13)	<ul style="list-style-type: none"> Icon display One-button operation Rechargeable battery IP 68 for unmatched dust and water protection 	1 to 4	H ₂ S, CO, O ₂ , SO ₂ , LEL (NDIR)	3 years
Honeywell BW™ Flex Series (page 17)	<ul style="list-style-type: none"> One-button operation Rechargeable battery Customizable LCD display IP 68 for unmatched dust and water protection 	1 to 4	H ₂ S, CO, O ₂ , SO ₂ , LEL (NDIR & catalytic bead) (More coming in 2022)	4 years
Honeywell BW™ MicroClip XL (page 23)	<ul style="list-style-type: none"> IntelliFlash One-button operation Small and lightweight IP68 for unmatched dust and water protection 	1 to 4	H ₂ S, CO, O ₂ , LEL	2 years
Honeywell BW™ MicroClip X3 (page 23)	<ul style="list-style-type: none"> Longer expected service life IntelliFlash One-button operation Small and lightweight IP 68 for unmatched dust and water protection 	1 to 4	H ₂ S, CO, O ₂ , LEL	3 years*
Honeywell BW™ Clip4 (page 29)	<ul style="list-style-type: none"> 2-year continuous runtime One-button operation Small and lightweight IP 68 for unmatched dust and water protection 	4	H ₂ S, CO, O ₂ , LEL (NDIR)	2 years
GasAlertQuattro (page 31)	<ul style="list-style-type: none"> Rechargeable or alkaline battery packs IntelliFlash One-button operation Easy-to-read LCD with icons 	1 to 4	H ₂ S, CO, O ₂ , LEL	2 years
Honeywell BW™ Max XT II (page 37)	<ul style="list-style-type: none"> Built-in motorized sampling pump Rechargeable battery IntelliFlash One-button operation 	1 to 4	H ₂ S, CO, O ₂ , LEL	2 years
GasAlertMicro 5 Series (page 44)	<ul style="list-style-type: none"> Rechargeable or alkaline battery packs Feature-rich user options 	1 to 5	CO ₂ , LEL, H ₂ S, CO, O ₂ , SO ₂ , PH ₃ , NH ₃ , NO ₂ , HCN, Cl ₂ , ClO ₂ , O ₃	2 years*
Honeywell BW™ Ultra (page 55)	<ul style="list-style-type: none"> Built-in motorized sampling pump Rechargeable battery IntelliFlash One-button operation Feature-rich user options 	1 to 5	VOCs, CO ₂ , H ₂ S, CO, O ₂ , SO ₂ , NH ₃ , NO, NO ₂ , HCN, Cl ₂ , H ₂ , LEL (NDIR & catalytic bead)	3 years*
Honeywell BW™ RigRat (page 61)	<ul style="list-style-type: none"> One-button operation Up to 8 weeks runtime on single charge 	1 to 6	H ₂ S, CO, O ₂ , SO ₂ , LEL, VOC, CO ₂ , NO ₂ , NO, HCN, NH ₃ , Cl ₂ , PH ₃	2 years*

*Note: Some gas types, sensors and/or parts carry a separate warranty. See product page for specific details.

Product Selector

Product (cont'd)	Power	Battery Run Time	Pump	Confined Space Kit	Docking System
Honeywell BW Clip® Series (page 1)	Continuous	2 years to 3 years	N/A	N/A	Honeywell IntelliDoX®
Honeywell BW™ Solo (page 4)	3.6V, Replaceable	1 year*, replaceable	N/A	N/A	Honeywell IntelliDoX®
Honeywell BW™ Icon (page 13)	Rechargeable	Up to 2 months*	Optional accessories (sold separately)	N/A	Honeywell IntelliDoX®
Honeywell BW™ Icon+ (page 13)	Rechargeable	Up to 2 months*	Optional accessories (sold separately)	N/A	Honeywell IntelliDoX®
Honeywell BW™ Flex Series (page 17)	Rechargeable	Up to 2 months* with LEL (NDIR), 16 hours with LEL (catalytic bead)	Optional accessories (sold separately)	N/A	Honeywell IntelliDoX®
Honeywell BW™ MicroClip XL (23)	Rechargeable	Up to 18 hours	Manual aspirator pump (sold separately)	Deluxe or carrying case only	Honeywell IntelliDoX®
Honeywell BW™ MicroClip X3 (page 23)	Rechargeable	Up to 18 hours	Manual aspirator pump (sold separately)	Deluxe or carrying case only	Honeywell IntelliDoX®
Honeywell BW™ Clip4 (page 29)	Continuous	2 years	Manual aspirator pump (sold separately)	N/A	Honeywell IntelliDoX®
GasAlertQuattro (page 31)	Rechargeable or alkaline battery packs	Up to 20 hours	Manual aspirator pump (sold separately)	With detector, deluxe or carrying case only	MicroDock II
Honeywell BW™ Max XT II (page 37)	Rechargeable	Up to 13 hours	Built-in motorized pump	With detector, deluxe or carrying case only	Honeywell IntelliDoX®
GasAlertMicro 5 Series (page 44)	Rechargeable or alkaline battery packs	Up to 20 hours	Manual aspirator pump (sold separately)	Deluxe or carrying case only	MicroDock II
Honeywell BW™ Ultra (page 55)	Rechargeable battery pack	Up to 18 hours	Built-in motorized pump	Deluxe or carrying case only	Honeywell IntelliDoX®
Honeywell BW™ RigRat (page 61)	Rechargeable battery pack	Up to 8 weeks	Pump and Diffusion	N/A	N/A

*Note: Based on 8 hours per day

Product Selector (by Gas)

Gases	CAS No.	Honeywell BW Clip® Series	Honeywell BW™ Solo	Honeywell BW™ Icon/Icon+	Honeywell BW™ Flex	Honeywell BW™ MicroClip Series	Honeywell BW™ Clip4	GasAlertQuattro	Honeywell BW™ Max XT II	GasAlertMicro 5 Series	Honeywell BW™ Ultra
Ammonia (NH ₃)	7664-41-7		EC		*					EC	EC
Carbon dioxide (CO ₂)	124-38-9		IR		*					IR	IR
Carbon monoxide (CO)	630-08-0	EC	EC	EC	EC	EC	EC	EC	EC	EC	EC
Chlorine (Cl ₂)	7782-50-5		EC		*					EC	EC
Chlorine dioxide (ClO ₂)	10049-04-4		EC							EC	
Ethylene oxide (C ₂ H ₄ O)	75-21-8		EC								
Combustible - % Vol				Yes	Yes						IR
Combustible - LEL				IR	CAT/IR	CAT	IR	CAT	CAT	CAT	CAT/IR
Hydrogen (H ₂)	1333-74-0		EC		CAT						EC
Hydrogen chloride (HCl)			EC								
Hydrogen cyanide (HCN)	74-90-8		EC		*					EC	EC
Hydrogen fluoride (HF)			EC								
Hydrogen sulfide (H ₂ S)	6/4/7783	EC	EC	EC	EC	EC	EC	EC	EC	EC	EC
Nitric oxide (NO)	10102-43-9		EC		*					EC	EC
Nitrogen dioxide (NO ₂)	10102-44-0		EC		*					EC	EC
Oxygen (O ₂)	7782-44-7	EC	EC	EC	Pb Free	EC	EC	EC	EC	EC	EC
Ozone (O ₃)	10028-15-6		EC							EC	
Phosphine (PH ₃)	7803-51-2		EC							EC	
Sulfur dioxide (SO ₂)	9/5/7446	EC	EC	EC	*					EC	EC
Volatile organic compounds (VOCs)											PID

EC = Electrochemical Cell / CAT = Catalytic Bead Sensor / IR = Infrared Sensor / PID = Photoionization Detector

Note: See product section for additional gases.

*Coming 2022

Single-Gas Detectors

- 1 Honeywell BW Clip® Series
- 4 Honeywell BW™ Solo
- 10 Honeywell Transmission Risk Air Monitor



Single-Gas Detectors

- 1 Honeywell BW Clip® Series
- 4 Honeywell BW™ Solo
- 10 Honeywell Transmission Risk Air Monitor





Honeywell BW Clip® Series

Single-Gas Detectors

The most user-friendly, reliable and cost-effective way to ensure safety and compliance

The Honeywell BW Clip® Series single-gas detector is your everyday companion for hazardous environments. It operates up to three years maintenance-free. Just turn on the device and it runs continuously — no need for calibration, sensor replacement, battery replacement or battery charging. That means great reliability and no downtime.

Plus, with the two-year Honeywell BW Clip® Series for H₂S or CO, you can put the device in a hibernation case when you're not using it for a week or more — and extend its life by that period of time.

Compatible with both the MicroDock II and the Honeywell IntelliDoX® instrument management systems, the Honeywell BW Clip® Series is engineered to the highest standards of quality and reliability, keeping you safe and compliant.

Standard Package Contents

- Detector complete with specified sensor, stainless steel alligator clip, and concussion-proof housing
- Test cap
- Instructions

H₂S Hydrogen Sulfide

O₂ Oxygen

CO Carbon Monoxide

SO₂ Sulfur Dioxide

GENERAL SPECIFICATIONS

SIZE 4.1 cm x 5.0 cm x 8.7 cm (1.6 in x 2.0 in x 3.4 in)

WEIGHT 92 g (3.2 oz)

TYPICAL BATTERY LIFE Two years (H₂S, CO, SO₂ or O₂) or three years (H₂S or CO)

UL: Class I, Div. 1, Gr. A, B, C, D
Class I, Zone 0, Group IIC

ATEX: CE 0539 II 1G
Ex ia IIC T4 Ga IP66/67
DEMKO 14 ATEX 1356

CERTIFICATIONS AND APPROVALS

CE: European Conformity
EC: EC Declaration of Conformity
www.honeywellanalytics.com

IECEX: Ex ia IIC T4 Ga IP66/67
IECEX UL 14.0063

For additional certifications, please review the manual or consult Honeywell Analytics.

WARRANTY

Two or three years from activation (given normal operation), plus one year shelf life (6 months for O₂ model)
Up to three years from activation for two-year H₂S and CO detectors when used with the hibernation feature, limited by 24 months of detector operation

50115903-067

Honeywell BW Clip® Series Single-Gas Detector (continued)

Honeywell BW Clip® 2-Year Detectors	Default Alarm Setpoints		Alarm Setpoints Range		Measuring Range	Order Number	Price (USD)
	Low	High	Minimum	Maximum			
Hydrogen sulfide (H ₂ S)	10 ppm	15 ppm	1.6 ppm	20 ppm	0 ppm to 100 ppm	BWC2-H*	\$138.00
Hydrogen sulfide (H ₂ S)	5 ppm	10 ppm	1.6 ppm	20 ppm	0 ppm to 100 ppm	BWC2-H510*	\$220.00
Hydrogen sulfide (H ₂ S)	5 ppm	15 ppm	1.6 ppm	20 ppm	0 ppm to 100 ppm	BWC2-H515	\$221.00
Carbon monoxide (CO)	35 ppm	200 ppm	5 ppm	200 ppm	0 ppm to 300 ppm	BWC2-M*	\$138.00
Carbon monoxide (CO)	25 ppm	100 ppm	5 ppm	200 ppm	0 ppm to 300 ppm	BWC2-M25100	\$234.00
Carbon monoxide (CO)	50 ppm	200 ppm	5 ppm	200 ppm	0 ppm to 300 ppm	BWC2-M50200	\$234.00
Sulfur dioxide (SO ₂)	5 ppm	10 ppm	2 ppm	20 ppm	0 ppm to 100 ppm	BWC2-S*	\$360.00
Sulfur dioxide (SO ₂)	2 ppm	4 ppm	2 ppm	20 ppm	0 ppm to 100 ppm	BWC2-S24	\$360.00
Oxygen (O ₂)	19.5% Vol	23.5% Vol	18% Vol	25% Vol	0% Vol to 25% Vol	BWC2-X*	\$138.00
Hydrogen sulfide (H ₂ S) - 50-unit bulk pack	10 ppm	15 ppm	1.6 ppm	20 ppm	0 ppm to 100 ppm	BWC2-H-B50	\$6,555.00

Honeywell BW Clip® 3-Year Detectors	Default Alarm Setpoints		Alarm Setpoints Range		Measuring Range	Order Number	Price (USD)
	Low	High	Minimum	Maximum			
Hydrogen sulfide (H ₂ S)	10 ppm	15 ppm	1.6 ppm	20 ppm	0 ppm to 100 ppm	BWC3-H*	\$279.00
Carbon monoxide (CO)	35 ppm	200 ppm	5 ppm	200 ppm	0 ppm to 300 ppm	BWC3-M*	\$279.00

Honeywell BW Clip® Real Time 2-Year Detectors	Default Alarm Setpoints		Alarm Setpoints Range		Measuring Range	Order Number	Price (USD)
	Low	High	Minimum	Maximum			
Hydrogen sulfide (H ₂ S)	10 ppm	15 ppm	1.6 ppm	20 ppm	0 ppm to 100 ppm	BWC2R-H*	\$275.00
Hydrogen sulfide (H ₂ S)	5 ppm	10 ppm	1.6 ppm	20 ppm	0 ppm to 100 ppm	BWC2R-H510	\$275.00
Hydrogen sulfide (H ₂ S)	5 ppm	15 ppm	1.6 ppm	20 ppm	0 ppm to 100 ppm	BWC2R-H515	\$281.00
Carbon monoxide (CO)	35 ppm	200 ppm	5 ppm	200 ppm	0 ppm to 300 ppm	BWC2R-M*	\$275.00
Carbon monoxide (CO)	25 ppm	100 ppm	5 ppm	200 ppm	0 ppm to 300 ppm	BWC2R-M25100	\$275.00
Carbon monoxide (CO)	50 ppm	200 ppm	5 ppm	200 ppm	0 ppm to 300 ppm	BWC2R-M50200	\$275.00
Sulfur dioxide (SO ₂)	5 ppm	10 ppm	2 ppm	20 ppm	0 ppm to 100 ppm	BWC2R-S*	\$448.00
Sulfur dioxide (SO ₂)	2 ppm	4 ppm	2 ppm	20 ppm	0 ppm to 100 ppm	BWC2R-S24	\$448.00
Oxygen (O ₂)	19.5% Vol	23.5% Vol	18% Vol	25% Vol	0% Vol to 25% Vol	BWC2R-X*	\$275.00

Honeywell BW Clip® Real Time 3-Year Detectors	Default Alarm Setpoints		Alarm Setpoints Range		Measuring Range	Order Number	Price (USD)
	Low	High	Minimum	Maximum			
Hydrogen sulfide (H ₂ S)	10 ppm	15 ppm	1.6 ppm	20 ppm	0 ppm to 100 ppm	BWC3R-H*	\$347.00
Carbon monoxide (CO)	35 ppm	200 ppm	5 ppm	200 ppm	0 ppm to 300 ppm	BWC3R-M*	\$347.00

*To order a detector with a black housing, add suffix "-B" to the order number. Contact your Honeywell Regional Sales Manager for availability.

For a complete list of available Honeywell BW Clip® Series detector configurations, please see pages 90-91 in Full Product Index.

Honeywell BW Clip® Series Accessories	Order Number	Price (USD)
Hibernation case for Honeywell BW Clip® Series	CLIPHB-CASE	\$23.00
Hibernation case for Honeywell BW Clip® Series (50-unit bulk package)	CLIPHB-CASE-B50	\$947.00
Neck strap with safety release	GA-NS-1	\$25.00
Short strap (15.2 cm (6 in))	GA-LY-1	\$17.00

Honeywell BW Clip® Series Single-Gas Detector (continued)



Honeywell IntelliDoX®, unmatched performance and customization.

The Honeywell IntelliDoX® instrument management system combines smart-docking modules with Honeywell Safety Suite Device Configurator software to provide automated instrument management, helping drive productivity, reliability and efficiency. Place the detector in the docking module and it automatically tests the gas detector and sensors while transferring data to the docking station.

The Honeywell IntelliDoX®, via Honeywell Safety Suite Device Configurator software, allows users to configure these settings for their Honeywell BW Clip® Series detectors:

- Display peak reading
- Time of peak reading
- Low alarm setpoint
- High alarm setpoint
- Real-time clock
- Bump test reminder
- Display gas readings during alarm
- Non-compliance indicator
- Manual zero sensor
- Activate hibernation

Honeywell IntelliDoX® Docking System	Order Number	Price (USD)
Honeywell IntelliDoX® docking station for Honeywell BW Clip® Series	DX-CLIP	\$2,616.00
Enabler kit, NA version (North America)	DX-ENBL-NA	\$299.00

Note: One Honeywell IntelliDoX® enabler kit is required for each docking system. Each docking system can support up to five Honeywell IntelliDoX® modules. For a complete list of Honeywell IntelliDoX® parts, please refer to the Honeywell IntelliDoX® Docking System section on pages 67-70.

Testing Equipment	Order Number	Price (USD)
Test cap and hose - 0.3 m (1 ft) replacement	GA-TC-1	\$26.00
Hydrogen sulfide (H ₂ S, 25 ppm), balance N ₂ , 34 L (requires REG-DF-1 or REG-0.5)	CG2-H-25-34	\$218.00
Hydrogen sulfide (H ₂ S, 25 ppm), balance N ₂ , 58 L (requires REG-DF-1 or REG-0.5)	G0042-H25	\$258.00
Carbon monoxide (CO, 100 ppm), balance N ₂ , 34 L (requires REG-DF-3 or REG2-0.5)	CG2-M-100-34	\$83.00
Carbon monoxide (CO, 100 ppm), balance N ₂ , 58 L (requires REG-DF-1 or REG-0.5)	CG2-M-100-58	\$238.00
Oxygen (O ₂ , 1.8%), balance N ₂ , 34 L (requires REG-DF-3 or REG2-0.5)	CG2-X-18.0-34	\$83.00
Sulfur dioxide (SO ₂ , 20 ppm), balance N ₂ , 34 L	CG2-S-20-34	\$204.00
Sulfur dioxide (SO ₂ , 20 ppm), balance N ₂ , 58 L	CG2-S-20-58	\$244.00
Quad-gas: CH ₄ (2.5%), O ₂ (1.8%), H ₂ S (25 ppm), CO (100 ppm), balance N ₂ , 34 L (requires REG-DF-1 or REG-0.5)	CG-Q34-4	\$244.00
Quad-gas: CH ₄ (2.5%), O ₂ (1.8%), H ₂ S (25 ppm), CO (100 ppm), balance N ₂ , 58 L (requires REG-DF-1 or REG-0.5)	CG-Q58-4	\$299.00
Demand flow regulator (for use with the Honeywell IntelliDoX®)	REG-DF-1	\$511.00
Calibration gas regulator (0.5 LPM)	REG-0.5	\$228.00
Calibration hose, Tygon (0.3 m (1 ft), 1/8 in I.D., 1/4 in O.D.)	C2-HOSE1-1	\$10.00
Wall mount (adjustable) for 34 L, 58 L or 103 L gas cylinders, red	MK-CG2-58	\$129.00

For a full list of calibration and testing equipment, please see pages 103-104.



Hibernation case

CLIPHB-CASE

Gain up to one extra year of operation on two-year H₂S and CO Honeywell BW Clip® Series detectors.



Short Strap

GA-LY-1



Neck Strap

GA-NS-1



Honeywell BW™ Solo

Serviceable Single-Gas Detector

The Honeywell BW™ Solo is easy to operate and service and includes an extensive selection of sensor options. It can help reduce the cost of ownership for serviceable single-gas detectors and includes a wireless option for enabling connected workers. The profile is small and lightweight and the design is ruggedized for years of reliable service. No need to take apart the Honeywell BW™ Solo for common maintenance tasks; simply pop off the front door to replace a sensor or filter or remove a single screw for battery replacement.

Optional wireless connectivity enables additional capabilities, such as dockless transfer of data and event logs and real-time monitoring of worker safety.

Standard Package Contents

- Detector complete with specified sensor, stainless steel alligator clip, and concussion-proof housing
- Calibration/test cap and hose
- Instructions

H₂S	Hydrogen Sulfide	ClO₂	Chlorine Dioxide
CO₂	Carbon Dioxide	NO	Nitric Oxide
CO	Carbon Monoxide	NO₂	Nitrogen Dioxide
O₂	Oxygen	HCN	Hydrogen Cyanide
SO₂	Sulfur Dioxide	ETO	Ethylene Oxide
NH₃	Ammonia	O₃	Ozone
PH₃	Phosphine	H₂	Hydrogen
Cl₂	Chlorine	HCl	Hydrogen Chloride
		HF	Hydrogen Fluoride

GENERAL SPECIFICATIONS	
SIZE	7.0 cm x 6.7 cm x 3.6 cm (2.7 in x 2.6 in x 1.4 in) (1-Series sensor models) 7.0 cm x 6.7 cm x 4.1 cm (2.7 in x 2.6 in x 1.6 in) (4-Series sensor models)
WEIGHT	103 g to 116 g (3.6 oz to 4.1 oz), depending on installed sensor
OPERATING TEMPERATURE	-40° C to 60° C (-40° F to 140° F) intrinsic safety
INGRESS PROTECTION	IP66/68
WARRANTY	3 years for 1-Series detectors and sensors (H ₂ S, CO, O ₂ , CO ₂) 2 years for 4-Series detectors and sensors 1 year for NH ₃ , Cl ₂ , O ₃ , ETO, ClO ₂ , HCl, HF sensors

DS101618-01

Honeywell BW™ Solo

Serviceable Single-Gas Detector

Honeywell BW™ Solo, Wireless	Measuring Range	Order Number	Price (USD)
Ammonia (NH ₃), wireless, yellow housing	0 ppm to 100 ppm	BWS1-A-Y	\$665.00
Ammonia (NH ₃) (extended range), wireless, yellow housing	0 ppm to 1000 ppm	BWS1-A2-Y	\$696.00
Carbon monoxide (CO), wireless, yellow housing	0 ppm to 2000 ppm	BWS1-ML-Y	\$450.00
Carbon monoxide (CO-H), H ₂ resistant, wireless, yellow housing	0 ppm to 2000 ppm	BWS1-M2-Y	\$549.00
Carbon dioxide (CO ₂), wireless, yellow housing	0 ppm to 2000 ppm	BWS1-BL-Y	\$630.00
Chlorine (Cl ₂), wireless, yellow housing	0 ppm to 50 ppm	BWS1-C-Y	\$549.00
Chlorine dioxide (ClO ₂), wireless, yellow housing	0 ppm to 1 ppm	BWS1-V-Y	\$549.00
Ethylene oxide (ETO) (C ₂ H ₄ O), wireless, yellow housing	0 ppm to 100 ppm	BWS1-E-Y	\$753.00
Hydrogen (H ₂), wireless, yellow housing	0 ppm to 1000 ppm	BWS1-R-Y	\$758.00
Hydrogen chloride (HCl), wireless, yellow housing	0 ppm to 30 ppm	BWS1-HC-Y	\$729.00
Hydrogen cyanide (HCN), wireless, yellow housing	0 ppm to 100 ppm	BWS1-Z-Y	\$549.00
Hydrogen fluoride (HF), wireless, yellow housing	0 ppm to 10 ppm	BWS1-HF-Y	\$749.00
Hydrogen sulfide (H ₂ S), wireless, yellow housing	0 ppm to 200 ppm	BWS1-HL-Y	\$450.00
Hydrogen sulfide (H ₂ S) (extended range), wireless, yellow housing	0 ppm to 500 ppm	BWS1-H2-Y	\$432.00
Nitric oxide (NO), wireless, yellow housing	0 ppm to 250 ppm	BWS1-N-Y	\$549.00
Nitrogen dioxide (NO ₂), wireless, yellow housing	0 ppm to 100 ppm	BWS1-D-Y	\$549.00
Oxygen (O ₂), wireless, yellow housing	0 % v/v to 30% v/v	BWS1-XL-Y	\$450.00
Ozone (O ₃), wireless, yellow housing	0 ppm to 1 ppm	BWS1-G-Y	\$928.00
Phosphine (PH ₃), wireless, yellow housing	0 ppm to 5 ppm	BWS1-P-Y	\$549.00
Sulfur dioxide (SO ₂), wireless, yellow housing	0 ppm to 100 ppm	BWS1-S-Y	\$549.00
Ammonia (NH ₃), wireless, black housing	0 ppm to 100 ppm	BWS1-A-B	\$665.00
Ammonia (NH ₃) (extended range), wireless, black housing	0 ppm to 1000 ppm	BWS1-A2-B	\$696.00
Carbon monoxide (CO), wireless, black housing	0 ppm to 2000 ppm	BWS1-ML-B	\$450.00
Carbon monoxide (CO-H), H ₂ resistant, wireless, black housing	0 ppm to 2000 ppm	BWS1-M2-B	\$549.00
Carbon dioxide (CO ₂), wireless, black housing	0 ppm to 2000 ppm	BWS1-BL-B	\$630.00
Chlorine (Cl ₂), wireless, black housing	0 ppm to 50 ppm	BWS1-C-B	\$549.00
Chlorine dioxide (ClO ₂), wireless, black housing	0 ppm to 1 ppm	BWS1-V-B	\$549.00
Ethylene oxide (ETO) (C ₂ H ₄ O), wireless, black housing	0 ppm to 100 ppm	BWS1-E-B	\$753.00
Hydrogen (H ₂), wireless, black housing	0 ppm to 1000 ppm	BWS1-R-B	\$758.00
Hydrogen chloride (HCl), wireless, black housing	0 ppm to 30 ppm	BWS1-HC-B	\$838.00
Hydrogen cyanide (HCN), wireless, black housing	0 ppm to 100 ppm	BWS1-Z-B	\$549.00
Hydrogen fluoride (HF), wireless, black housing	0 ppm to 10 ppm	BWS1-HF-B	\$861.00
Hydrogen sulfide (H ₂ S), wireless, black housing	0 ppm to 200 ppm	BWS1-HL-B	\$450.00
Hydrogen sulfide (H ₂ S) (extended range), wireless, black housing	0 ppm to 500 ppm	BWS1-H2-B	\$432.00
Nitric oxide (NO), wireless, black housing	0 ppm to 250 ppm	BWS1-N-B	\$549.00
Nitrogen dioxide (NO ₂), wireless, black housing	0 ppm to 100 ppm	BWS1-D-B	\$549.00
Oxygen (O ₂), wireless, black housing	0 % v/v to 30% v/v	BWS1-XL-B	\$450.00
Ozone (O ₃), wireless, black housing	0 ppm to 1 ppm	BWS1-G-B	\$928.00
Phosphine (PH ₃), wireless, black housing	0 ppm to 5 ppm	BWS1-P-B	\$549.00
Sulfur dioxide (SO ₂), wireless, black housing	0 ppm to 100 ppm	BWS1-S-B	\$549.00

Honeywell BW™ Solo Serviceable Single-Gas Detector (continued)

Honeywell IntelliDoX® Automated Instrument Management System	Order Number	Price (USD)
Honeywell IntelliDoX® docking station for Honeywell BW™ Solo	DX-SOLO	\$2,616.00
Honeywell IntelliDoX® Nest for Honeywell BW™ Solo	DX-NEST-SOLO	\$717.00
Honeywell IntelliDoX® enabler kit, NA version (North America) <i>Includes power supply with region-specific AC power cord, ethernet cable, inlet (purge) filter assembly, 1 m (3 ft) calibration gas tubing, 1 m (3 ft) purge gas tubing, 4.5 m (15 ft) exhaust tubing and quick connect fittings.</i>	DX-ENBL-NA	\$299.00

Note: One Honeywell IntelliDoX® enabler kit is required for each docking system. Each docking system can support up to five Honeywell IntelliDoX® modules. For a complete list of Honeywell IntelliDoX® parts, please refer to the Honeywell IntelliDoX® Docking System section on pages 67-70.

Replacement Sensors	Order Number	Price (USD)
Replacement carbon monoxide (CO) sensor (1-Series) [†]	SR-M1-1S	\$339.00
Replacement hydrogen sulfide (H ₂ S) sensor (1-Series) [†]	SR-H1-1S	\$339.00
Replacement oxygen (O ₂) sensor (1-Series) [†]	SR-X1-1S	\$271.00
Replacement chlorine (Cl ₂) sensor (4-Series)*	PS-RC10	\$498.00
Replacement chlorine dioxide (ClO ₂) sensor (4-Series)*	SR-V04	\$534.00
Replacement carbon monoxide, hydrogen (H ₂) resistant (CO-H) sensor (4-Series)	54-47-19	\$676.00
Replacement carbon dioxide (CO ₂) sensor (1-Series) [†]	SR-B1-1S	\$424.00
Replacement ethylene oxide (ETO) sensor (4-Series)*	SR-ER04	\$670.00
Replacement hydrogen (H ₂) sensor (4-Series)	SR-RR04	\$670.00
Replacement hydrogen sulfide (H ₂ S), extended range sensor (4-Series)	PS-RH04S	\$322.00
Replacement hydrogen chloride (HCl) sensor (4-Series)*	SR-HC-4S	\$713.00
Replacement hydrogen cyanide (HCN) sensor (4-Series)	SR-ZR04	\$482.00
Replacement hydrogen fluoride (HF) sensor (4-Series)*	SR-HF-4S	\$733.00
Replacement ammonia (NH ₃) sensor (4-Series)*	SR-A04	\$498.00
Replacement ammonia (NH ₃), extended range sensor (4-Series)*	SR-A204	\$498.00
Replacement nitric oxide (NO) sensor (4-Series)	SR-NR04	\$484.00
Replacement nitrogen dioxide (NO ₂) sensor (4-Series)	PS-RD04	\$534.00
Replacement ozone (O ₃) sensor (4-Series)*	SR-G04	\$747.00
Replacement phosphine (PH ₃) sensor (4-Series)	SR-P04	\$498.00
Replacement sulfur dioxide (SO ₂) sensor (4-Series)	PS-RS04	\$498.00

Note: All sensors come with a 2-year warranty unless marked with [†] (3-year warranty) or * (1-year warranty).

Service Made Simple: Pricing is available on the partner portal (sps.honeywell.com) for Platinum and Gold Service Contracts, Rental Contracts and On Demand Repair and/or Calibration services. You can learn more about Service Made Simple on the partner portal or by contacting your local Honeywell sales representative.

Honeywell BW™ Solo Serviceable Single-Gas Detector (continued)

Replacement PCBs	Order Number	Price (USD)
Replacement PCB, chlorine (Cl ₂), non-wireless	BWS-C-PCB1	\$429.00
Replacement PCB, chlorine dioxide (ClO ₂), non-wireless	BWS-V-PCB1	\$429.00
Replacement PCB, carbon monoxide (CO), non-wireless	BWS-ML-PCB1	\$353.00
Replacement PCB, carbon dioxide (CO ₂), non-wireless	BWS-BL-PCB1	\$398.00
Replacement PCB, carbon monoxide, hydrogen (H ₂) resistant (CO-H), non-wireless	BWS-M2-PCB1	\$429.00
Replacement PCB, ethylene oxide (ETO), non-wireless	BWS-E-PCB1	\$589.00
Replacement PCB, hydrogen (H ₂), non-wireless	BWS-R-PCB1	\$593.00
Replacement PCB, hydrogen sulfide (H ₂ S), non-wireless	BWS-HL-PCB1	\$353.00
Replacement PCB, hydrogen sulfide (H ₂ S), extended range, non-wireless	BWS-H-2-PCB1	\$313.00
Replacement PCB, hydrogen chloride (HCl), non-wireless	BWS-HC-PCB1	\$510.00
Replacement PCB, hydrogen cyanide (HCN), non-wireless	BWS-Z-PCB1	\$457.00
Replacement PCB, hydrogen fluoride (HF), non-wireless	BWS-HF-PCB1	\$524.00
Replacement PCB, ammonia (NH ₃), non-wireless	BWS-A-PCB1	\$520.00
Replacement PCB, ammonia (NH ₃), extended range, non-wireless	BWS-A2-PCB1	\$543.00
Replacement PCB, nitric oxide (NO), non-wireless	BWS-N-PCB1	\$429.00
Replacement PCB, nitrogen dioxide (NO ₂), non-wireless	BWS-D-PCB1	\$429.00
Replacement PCB, oxygen (O ₂), non-wireless	BWS-XL-PCB1	\$353.00
Replacement PCB, ozone (O ₃), non-wireless	BWS-G-PCB1	\$726.00
Replacement PCB, phosphine (PH ₃), non-wireless	BWS-P-PCB1	\$429.00
Replacement PCB, sulfur dioxide (SO ₂), non-wireless	BWS-S-PCB1	\$429.00
Replacement PCB, carbon dioxide (CO ₂), wireless	BWS1-BL-PCB1	\$444.00
Replacement PCB, chlorine (Cl ₂), wireless	BWS1-C-PCB1	\$474.00
Replacement PCB, chlorine dioxide (ClO ₂), wireless	BWS1-V-PCB1	\$474.00
Replacement PCB, carbon monoxide (CO), wireless	BWS1-ML-PCB1	\$398.00
Replacement PCB, carbon monoxide, hydrogen (H ₂) resistant (CO-H), wireless	BWS1-M2-PCB1	\$474.00
Replacement PCB, ethylene oxide (ETO), wireless	BWS1-E-PCB1	\$634.00
Replacement PCB, hydrogen (H ₂), wireless	BWS1-R-PCB1	\$638.00
Replacement PCB, hydrogen sulfide (H ₂ S), wireless	BWS1-HL-PCB1	\$398.00
Replacement PCB, hydrogen sulfide (H ₂ S), extended range, wireless	BWS1-H-2-PCB1	\$355.00
Replacement PCB, hydrogen chloride (HCl), wireless	BWS1-HC-PCB1	\$510.00
Replacement PCB, hydrogen cyanide (HCN), wireless	BWS1-Z-PCB1	\$474.00
Replacement PCB, hydrogen fluoride (HF), wireless	BWS1-HF-PCB1	\$524.00
Replacement PCB, ammonia (NH ₃), wireless	BWS1-A-PCB1	\$567.00
Replacement PCB, ammonia (NH ₃), extended range, wireless	BWS1-A2-PCB1	\$589.00
Replacement PCB, nitric oxide (NO), wireless	BWS1-N-PCB1	\$474.00
Replacement PCB, nitrogen dioxide (NO ₂), wireless	BWS1-D-PCB1	\$474.00
Replacement PCB, oxygen (O ₂), wireless	BWS1-XL-PCB1	\$398.00
Replacement PCB, ozone (O ₃), wireless	BWS1-G-PCB1	\$770.00
Replacement PCB, phosphine (PH ₃), wireless	BWS1-P-PCB1	\$474.00
Replacement PCB, sulfur dioxide (SO ₂), wireless	BWS1-S-PCB1	\$474.00

Honeywell BW™ Solo Serviceable Single-Gas Detector (continued)

Replacement Gas Type Labels	Order Number	Price (USD)
Replacement gas label, chlorine (Cl ₂)	BWS-C-LABEL	\$9.00
Replacement gas label, chlorine dioxide (ClO ₂)	BWS-V-LABEL	\$9.00
Replacement gas label, carbon monoxide (CO)	BWS-M-LABEL	\$9.00
Replacement gas label, carbon dioxide (CO ₂)	BWS-B-LABEL	\$9.00
Replacement gas label, carbon monoxide, hydrogen (H ₂) resistant (CO-H)	BWS-M2-LABEL	\$9.00
Replacement gas label, ethylene oxide (ETO)	BWS-E-LABEL	\$9.00
Replacement gas label, hydrogen (H ₂)	BWS-R-LABEL	\$9.00
Replacement gas label, hydrogen sulfide (H ₂ S)	BWS-H-LABEL	\$9.00
Replacement gas label, hydrogen chloride (HCl)	BWS-HC-LABEL	\$8.00
Replacement gas label, hydrogen cyanide (HCN)	BWS-Z-LABEL	\$9.00
Replacement gas label, hydrogen fluoride (HF)	BWS-HF-LABEL	\$8.00
Replacement gas label, ammonia (NH ₃)	BWS-A-LABEL	\$9.00
Replacement gas label, nitric oxide (NO)	BWS-N-LABEL	\$9.00
Replacement gas label, nitrogen dioxide (NO ₂)	BWS-D-LABEL	\$9.00
Replacement gas label, oxygen (O ₂)	BWS-X-LABEL	\$9.00
Replacement gas label, ozone (O ₃)	BWS-G-LABEL	\$9.00
Replacement gas label, phosphine (PH ₃)	BWS-P-LABEL	\$9.00
Replacement gas label, sulfur dioxide (SO ₂)	BWS-S-LABEL	\$9.00

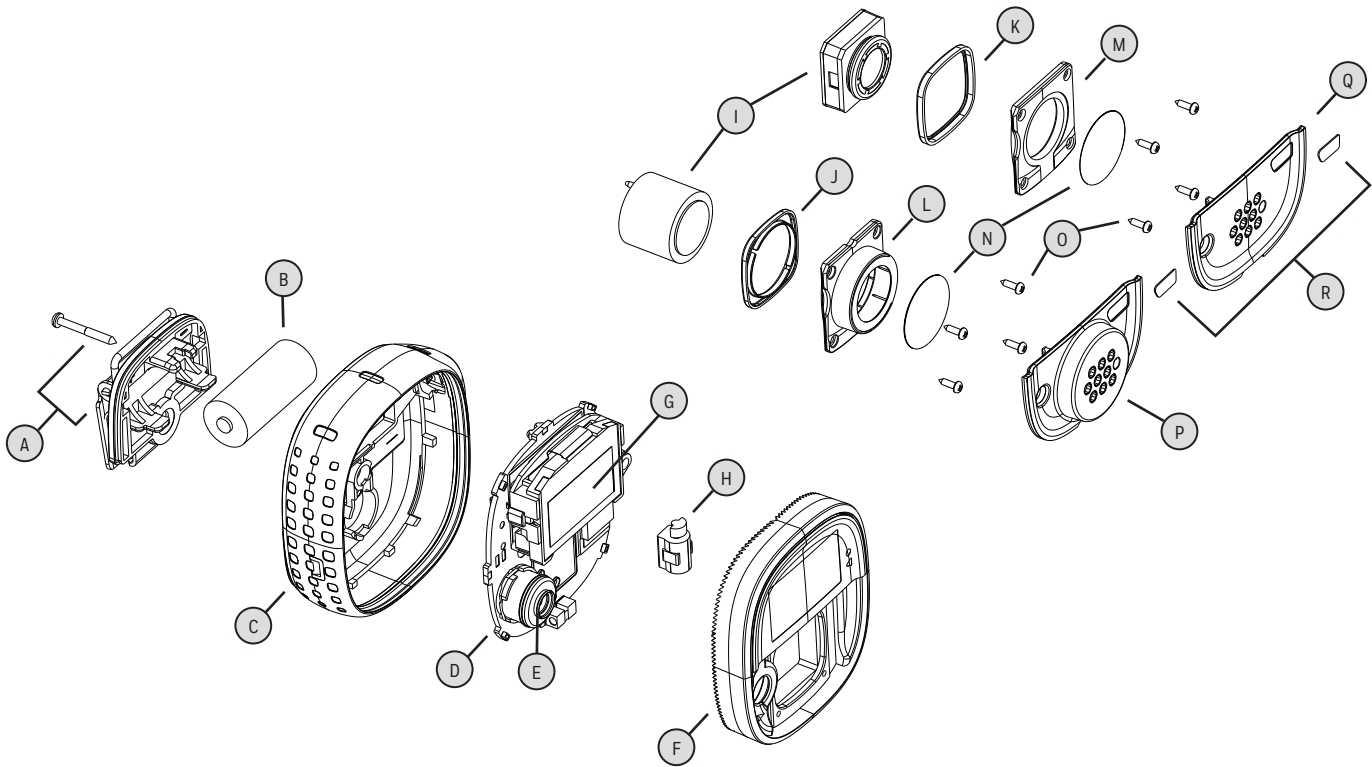
Honeywell BW™ Solo Serviceable Single-Gas Detector (continued)

Calibration & Testing Equipment	Order Number	Price (USD)
Hydrogen sulfide (H ₂ S, 25 ppm), balance N ₂ , 34 L (requires REG-DF-1 or REG-0.5)	CG2-H-25-34	\$218.00
Hydrogen sulfide (H ₂ S, 25 ppm), balance N ₂ , 58 L (requires REG-DF-1 or REG-0.5)	G0042-H25	\$258.00
Carbon monoxide (CO, 100 ppm), balance N ₂ , 34 L (requires REG-DF-3 or REG2-0.5)	CG2-M-100-34	\$83.00
Carbon monoxide (CO, 100 ppm), balance N ₂ , 58 L (requires REG-DF-1 or REG-0.5)	CG2-M-100-58	\$238.00
Carbon dioxide (CO ₂ , 5,000 ppm), balance N ₂ , 34 L	600-0139-000	\$112.00
Sulfur dioxide (SO ₂ , 20 ppm), balance N ₂ , 34 L	CG2-S-20-34	\$204.00
Sulfur dioxide (SO ₂ , 20 ppm), balance N ₂ , 58 L	CG2-S-20-58	\$244.00
Hydrogen (H ₂ , 200 ppm) balance air, 34 L	CG-H2-200-34	\$112.00
Ammonia (NH ₃ , 50 ppm), balance N ₂ , 34 L	CG2-A-50-34	\$374.00
Ammonia (NH ₃ , 50 ppm), balance N ₂ , 58 L	CG2-A-50-58	\$508.00
Phosphine (PH ₃ , 1 ppm), balance N ₂ , 34 L	CG2-P-1-34	\$508.00
Chlorine (Cl ₂ , 10 ppm), balance N ₂ , 34 L	CG2-C-10-34	\$374.00
Nitric oxide (NO, 50 ppm)	CG2-N-50-34	\$374.00
Nitrogen dioxide (NO ₂ , 10 ppm), balance N ₂ , 34 L	CG2-D-10-34	\$374.00
Hydrogen cyanide (HCN, 10 ppm), balance N ₂ , 34 L	CG2-Z-10-34	\$374.00
Hydrogen cyanide (HCN, 10 ppm), balance N ₂ , 58 L	CG2-Z-10-58	\$508.00
Ethylene oxide (ETO, 10 ppm), balance N ₂ , 58 L	CG2-E-10-58	\$508.00
Demand flow regulator (for use with MicroDock II or IntelliDoX)	REG-DF-1	\$511.00
Calibration gas regulator (0.5 LPM)	REG-0.5	\$228.00
Calibration hose, Tygon (0.3 m (1 ft), 1/8 in I.D., 1/4 in O.D.)	C2-HOSE1-1	\$10.00
Wall mount (adjustable) for 34 L, 58 L or 103 L gas cylinders, red	MK-CG2-58	\$129.00
Replacement test/calibration cap	BWS-TC-1	\$22.00

For a full list of calibration and testing equipment, please see pages 103-104. For ClO₂ and O₃, please contact Honeywell Analytics Service.

Notes

Honeywell BW™ Solo Serviceable Single-Gas Detector (continued)



Legend	Service Parts	Order Number	Price (USD)
A	Replacement battery cover kit, non-wireless	BWS-BH-1	\$40.00
A	Replacement battery cover kit, wireless	BWS-BH-2	\$40.00
B	Replacement battery	BWS-BAT01	\$23.00
C	Replacement back shell, yellow	BWS-BC1	\$38.00
C	Replacement back shell, black	BWS-BC1B	\$38.00
D	Replacement PCB, see page 7		
E	Replacement buzzer sealing ring	BWS-HS-1	\$11.00
F	Replacement front shell	BWS-FC1	\$40.00
G	Replacement LCD	BWS-LCD	\$27.00
H	Replacement vibrator	GA-VM-2	\$26.00
I	Replacement sensors, see page 6		
J	Replacement 4-Series sensor o-rings (kit of 10)	BWS-ORING-4S-K1	\$12.00
K	Replacement 1-Series sensor o-rings (kit of 10)	BWS-ORING-1S-K1	\$10.00
L	Replacement 4-Series sensor fixer kit <i>Includes one sensor sealing ring (J), one sensor fixer with metal insert (L), and four sensor fixer screws (O)</i>	BWS-4SC-1	\$17.00
M	Replacement 1-Series sensor fixer kit <i>Includes one sensor o-ring (K), one sensor fixer (M), and four sensor fixer screws (O)</i>	BWS-WSC-1	\$17.00
N	Replacement sensor screens (kit of 10)	BWS-SS	\$32.00
O	Replacement sensor fixer screws (kit of 25)	BWS-SCREW-K1	\$19.00
P	Replacement 4-Series front cover	BWS-4C-1	\$23.00
Q	Replacement 1-Series front cover	BWS-WC-1	\$22.00
R	Replacement gas type label, see page 8		

Note: Please refer to the instrument's documentation (shipped with the product or available at www.sps.honeywell.com) for complete instructions on common service procedures. Improper servicing or maintenance may affect warranty eligibility. Honeywell assumes no liability for damages resulting from improper servicing or maintenance.



Honeywell Transmission Risk Air Monitor

A cost-effective monitor for use in schools, restaurants, and other small-to-medium sized buildings that alerts users when conditions are present that may increase the risk of exposure to airborne viral transmission

Classrooms, restaurants and buildings with outdated HVAC and ventilation systems can foster environments where the risk of airborne virus transmission could increase. Honeywell proprietary technology that monitors Carbon dioxide (CO₂) levels, coupled with user-controlled settings to account for human activity levels in an indoor area, provides users with a portable, cost-effective and user-friendly solution that alerts when conditions are present that may increase the risk of exposure to airborne viral transmission.

The device comes with three pre-programmed indoor activity settings for low, medium and high activity and is recommended for coverage of 800 sq ft to 1000 sq ft. For each setting, the monitor provides indications using a traffic light pattern (green, yellow or red) and a sound alarm so users can be aware of conditions that may increase the risk of airborne transmission based on detectable CO₂ levels.

Standard Package Contents

- Monitor complete with CO₂ sensor and lithium-ion rechargeable battery
- Micro USB charging cable (adapter sold separately)
- User manual



CO₂ Carbon Dioxide

SENSOR RANGE

CO ₂ (NDIR)	400 ppm to 2000 ppm, up to 10,000 ppm extended range
TEMPERATURE	-20°C to 60°C or -4°F to 140°F
HUMIDITY	0% RH to 100% RH

GENERAL SPECIFICATIONS

SIZE	8 cm x 8 cm x 2.2 cm (3.1 in x 3.1 in x 0.87 in)
WEIGHT	140 g
OPERATING TEMPERATURE AND HUMIDITY RANGE	0° C to 40° C (32° F to 104° F) 0% RH to 90% RH
TYPICAL BATTERY LIFE	10 hours
WARRANTY	1 year

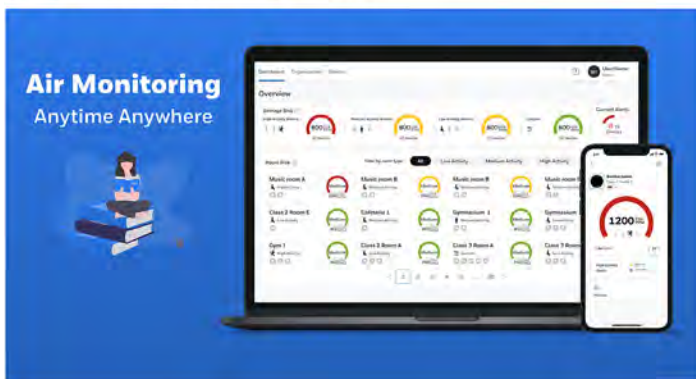
CERTIFICATIONS AND APPROVALS

CE:	Simplified Declaration of Conformity
FC:	Complies with Part 15 of the Federal Communications Commission (FCC) rules
UK:	Simplified Declaration of Conformity

For additional certifications, please review the manual or consult Honeywell Analytics.

Honeywell Transmission Risk Air Monitor

Honeywell Transmission Risk Air Monitor	Order Number	Price (USD)
Honeywell Transmission Risk Air Monitor-V2, white, with first year SW license included	HTRAM-V2-W	\$280.00
Honeywell Transmission Risk Air Monitor charging/power adapter - USC version	HTRAM-AD-USC	\$19.00
Honeywell Transmission Risk Air Monitor Wall Mount Kit	HTRAM-WM-ALL	\$47.00
Honeywell Transmission Risk Air Monitor - Extended Warranty 2 Years	HTRAM-EXTW-2Y	\$83.00
Honeywell Transmission Risk Air Monitor – Additional 1 year SW license	HTRAM-SSRT-1YSA	\$35.00
Honeywell Transmission Risk Air Monitor – Additional 2 year SW license	HTRAM-SSRT-2YSA	\$70.00
Honeywell Transmission Risk Air Monitor – Additional 3 year SW license	HTRAM-SSRT-3YSA	\$105.00
Honeywell Transmission Risk Air Monitor – Additional 4 year SW license	HTRAM-SSRT-4YSA	\$140.00
Honeywell Transmission Risk Air Monitor – Installation Service	SVC-INST-HTRAMV2	\$440.00



Charging/Power Adapter
HTRAM-AD-USC



Wall Mount Kit
HTRAM-WM-ALL

WARRANTY

- Under normal use and maintenance that is consistent with Honeywell manuals and instructions, Honeywell warrants that, for a period of one (1) year from the date of purchase, all components of this product, except software and software components, shall be free from faulty workmanship and defective materials. The software and software components, including any documentation designated by Honeywell for use with such software or software components, are provided "AS IS."
- These warranties do not apply if the claimed defect or nonconformity is due to accident, misuse, neglect; or improper shipping or handling, installation, or testing; or any failure of electrical power, air conditioning, or humidity control. This warranty is valid only if the product has not been tampered with or serviced by any party not authorized by Honeywell.
- If during the one-year warranty, the customer notifies Honeywell in writing of any alleged defect within 30 days of discovery, and it is determined by Honeywell that any component of the product, except software components, is defective due to faulty workmanship or defective materials, then Honeywell shall repair or replace such Product at Honeywell's sole discretion. Repair or replacement of a product (or any part thereof) does not extend the warranty period for such product. Products which have been repaired or replaced during the warranty period are warranted for the remainder of the unexpired portion of the original warranty period.
- In case of non-conforming products, users may return such product to the distributor where they made the original purchase.
- Honeywell shall not be responsible for any loss or damage of any form, including any accidental or necessary direct or indirect loss as a result of breach of any warranty or any other acts that damage the product.
- These explicit warranties are the only warranties provided by Honeywell with respect to the product and are in lieu of all other warranties, express or implied. Any implied warranty or guarantee, including merchantability, fitness for a particular purpose, and non-infringement of third party rights, shall not apply.
- This warranty only applies to the main unit of the product, and does not cover the package, manuals, consumables, or other components susceptible to damage or consumption or which have a normal life inherently shorter than the foregoing warranty period.
- Customers wanting additional warranty beyond the standard one-year warranty offered by Honeywell have the option to purchase a 2-year extended warranty when purchasing the product. Any such extended warranty shall only extend the timeframe of the warranty terms above from three years from the date of purchase, and shall not provide any additional warranty or guarantee, express or implied.

DISPOSAL

This product contains a lithium-ion battery and aluminum alloy materials. Upon receipt of the product, the customer is responsible for proper use, transport, storage and disposal of the product based on the battery and material type, including but not limited to applicable governmental requirements for proper disposal

Honeywell Transmission Risk Air Monitor

DEVICE INDICATION



	GREEN	YELLOW	RED
LOW ACTIVITY SETTING*	<800 ppm; 0.043% infection risk	800 ppm; 0.043% infection risk	1100 ppm; 0.051% infection risk
MEDIUM ACTIVITY SETTING*	<700 ppm; 3.40% infection risk	700 ppm; 3.40% infection risk	1000 ppm; 5.41% infection risk
HIGH ACTIVITY SETTING*	<500 ppm; 7.32% infection risk	500 ppm; 7.32% infection risk	800 ppm; 25.25% infection risk
CUSTOM SETTING	The end user can also choose custom settings on the device to set the alarm threshold levels based on the user's parameters and local, regional and state requirements. Note: If custom settings are used, the user is solely responsible for validating those alarm settings meet their specific requirements.		
RECOMMENDED ACTION	N/A	<ul style="list-style-type: none"> ▪ Open windows ▪ Turn on HVAC fan ▪ Move out of room ▪ Additional actions as needed 	<ul style="list-style-type: none"> ▪ Ventilate room immediately ▪ Reduce activities ▪ Move out of room ▪ Additional actions as needed
ALARM	N/A	One beep	Two beeps

SCENARIO SELECTION

The device has three pre-programmed scenario settings based on activity levels.

- **Low activity:** Reading, quietly talking, Breathing rate (susceptibles): 0.252 m³/h, CO₂ emission rate/person: 0.0052 (@ 273 K and 1 atm), Quanta exhalation rate (infected): 9.4 quanta/h, activity duration for 30 minutes
- **Medium activity:** Eating, talking loudly, Breathing rate (susceptibles): 1.2 m³/h, CO₂ emission rate/person: 0.012 (@ 273 K and 1 atm), Quanta exhalation rate (infected): 170 quanta/h, activity duration for 45 minutes
- **High activity:** Running, jumping, exercising, Breathing rate (susceptibles): 3 m³/h, CO₂ emission rate/person: 0.016 (@ 273 K and 1 atm), Quanta exhalation rate (infected): 408 quanta/h, activity duration for 60 minutes
- **Other general assumptions from risk estimator can be found in the below table:**

PARAMETERS	VALUE	SOURCE
Length of room	30 ft	
Width of room	30 ft	
Volume	900 sq ft	
Height	16 ft	
Pressure	0.95 atm	
Temperature	20° C	
Relative Humidity	50%	
Background CO ₂ Outdoors	415 ppm	
Decay rate of the virus	0.62 h ⁻¹	default* per https://tinyurl.com/covid-estimator
Deposition to surfaces	0.3 h ⁻¹	default* per https://tinyurl.com/covid-estimator
Additional control measures	0 h ⁻¹	default* per https://tinyurl.com/covid-estimator
Total N people present	20	
Infected People	1 person	
Fraction of population immune	0%	default* per https://tinyurl.com/covid-estimator
Exhalation mask efficiency	0%	no mask
Fraction of people with masks	0%	no mask
Inhalation mask efficiency	0%	no mask
Quanta Concentration initial value	0.00	no virus at the beginning

*The default setting is the low activity setting with the alarm threshold of 800 ppm for medium and 1100 ppm for high.

*** The Honeywell Transmission Risk Air Monitor (HTRAM) analyzes specific air quality conditions and alerts the user when conditions are present that may increase risk of potential exposure to airborne viral transmission. It does not prevent or reduce virus transmission nor mitigate viruses that may be present, nor does it detect or warn against the presence of any virus, including but not limited to COVID-19. Even at lower risk levels caution is required to prevent viral transmission. The HTRAM does not repel or destroy any microorganism, viruses, bacteria or germs.**

- It is buyer's sole responsibility (1) to determine the suitability of the HTRAM for use in its application; (2) to operate the HTRAM in accordance with the User Manual and any other instructions provided by Honeywell and in compliance with all applicable laws, rules and regulations; and (3) to determine, based on buyer's experience, expertise and other available tools, the suitability of any product or service it may offer or recommend to the end user.

- Buyer is responsible for determining whether the product is appropriate for use under certain international, federal, state or local guidelines, and is likewise responsible for determining whether the HTRAM qualifies for any government programs, including without limitation, reimbursement plans.
- Any recommendations or assistance provided by Honeywell regarding the use or operation of the HTRAM – through our literature, the Honeywell website, or otherwise – shall not be construed as representations or warranties of any kind, express or implied, and such information is accepted at buyer's own risk and without any obligation or liability to Honeywell.
The information we supply in this data sheet is believed to be accurate and reliable as of this writing. However, specifications may change without notice and Honeywell assumes no responsibility for its use.
- The HTRAM does not detect for levels of CO₂ that would make for an unsafe or unsuitable breathing environment.

- 1 <https://tinyurl.com/FAQ-aerosols>
- 2 https://leginfo.ca.gov/faces/codes_displayText.xhtml?lawCode=PUC&division=1&title=&part=1&chapter=8.7.&article=3
- 3 <https://pubs.acs.org/doi/10.1021/acs.estlett.1c00183>
4. The HTRAM's preset PPM measurements for each activity level are subjective standards based on Honeywell's assessment of U.S. state statutory limits and scientific studies, including the "2020 COVID-19 Aerosol Transmission Estimator" and the "Exhaled CO₂ as a COVID-19 Infection Risk Proxy for Different Indoor Environments and Activities" article from the University of Colorado-Boulder (<https://docs.google.com/spreadsheets/d/16K1OQkLD4BjgBdO8ePj6ytf-RpPMU6aXfg3PrLQBbQ/edit#gid=519189277> and <https://pubs.acs.org/doi/10.1021/acs.estlett.1c00183>, respectively). The user must verify applicable standards or regulations and adapt the product's thresholds to such standards and regulations as required for its usage intended by the user.
5. Please note: A green designation does not mean no risk for transmission. An increase from green to yellow, yellow to red or green to red does not indicate a linear increase in potential transmission risk within one activity setting. Any increase in potential transmission risk across multiple activity settings is also not linear. Numerous factors, including without limitation, interaction among individuals in a room, the number of infected individuals present, and the wearing of Personal Protective Equipment (PPE) such as masks and gloves, will affect the potential transmission risk. Users should not rely solely on this device to make a determination of safety.
6. Percent of infection risk calculation is based on the following assumptions and is only intended as guidance: Total number of people: 20, Infected: 1; Time duration: 30 mins and Room size: 900 sq ft.
7. Percent of infection risk calculation is based on the following assumptions and is only intended as guidance: Total number of people: 20, Infected: 1; Time duration: 45 mins and Room size: 900 sq ft.
8. Percent of infection risk calculation is based on the following assumptions and is only intended as guidance: Total number of people: 20, Infected: 1; Time duration: 60 mins and Room size: 900 sq ft.

Multi-Gas Detectors

- 13 Honeywell BW™ Icon Series
- 17 Honeywell BW™ Flex
- 23 Honeywell BW™ MicroClip Series
- 29 Honeywell BW™ Clip4
- 31 GasAlertQuattro
- 37 Honeywell BW™ Max XT II
- 44 GasAlertMicro 5 Series
- 55 Honeywell BW™ Ultra
- 61 Honeywell BW™ RigRat
- 65 Sampling Equipment



Multi-Gas Detectors



- 13 Honeywell BW™ Icon Series
- 17 Honeywell BW™ Flex
- 23 Honeywell BW™ MicroClip Series
- 29 Honeywell BW™ Clip4
- 31 GasAlertQuattro
- 37 Honeywell BW™ Max XT II
- 44 GasAlertMicro 5 Series
- 55 Honeywell BW™ Ultra
- 61 Honeywell BW™ RigRat
- 65 Sampling Equipment



Honeywell BW™ Icon Series

Four-Gas Detector

The first multi-gas detector with an icon display for fast decisions

The Honeywell BW™ Icon is named for its display of simple icons for gas levels and device status. That means no live gas readings for workers to interpret and no time-consuming training. Instead, when there's a gas alarm, the bell icon on the display will illuminate, along with an indicator next to the sensor in alarm, so workers can quickly clear the area.

The simplest way to prioritize safety — Honeywell BW™ Icon is a fixed-life, two-year, four-gas detector for the gas hazards that workers face most often. That means you can turn it on and activate two years of protection, with no need for sensor or battery replacement — and no hidden costs.

Honeywell BW™ Icon+ delivers an icon-based experience in a serviceable package. It enables you to maximize the lifespan of your four-gas detectors, optimize long-term cost of ownership and select from multiple gas sensors for flexible applications.



Honeywell BW™ Icon
2-Year Warranty,
Fixed-Life, Two-Year



Honeywell BW™ Icon+
3-Year Warranty,
Serviceable

Standard Package Contents

- Detector complete with sensors, stainless steel alligator clip, concussion-proof housing and built-in rechargeable battery
- Calibration/test cap and hose
- USB charging cable
- Quick start guide
- Advanced connectivity (BLE), standard
- Free Device Configurator app (iOS/Android)

H₂S Hydrogen Sulfide

O₂ Oxygen

CO Carbon Monoxide

SO₂ Sulfur Dioxide

LEL Combustible Gases*

*LEL (NDIR) not suitable to detect H₂ or Acetylene atmospheres

GENERAL SPECIFICATIONS

SIZE	10.8 cm x 6.2 cm x 4.3 cm (4.3 in x 2.4 in x 1.7 in) with Alligator Clip 10.8 cm x 6.2 cm x 3.8 cm (4.3 in x 2.4 in x 1.5 in) with Klick Fast Stud
WEIGHT	185 g (6.5 oz) with Alligator Clip 169 g (6 oz) with Klick Fast Stud
OPERATING TEMPERATURE	-40° C to 60° C (-40° F to 140° F)
TYPICAL BATTERY LIFE	Two months (with NDIR CH ₄ sensor)
INGRESS PROTECTION	IP66/68
WARRANTY	ICON: 2 years for sensors and detector ICON+: 3 years for sensors and detector

Honeywell BW™ Icon Series Four-Gas Detector (continued)

Honeywell BW™ Icon, Fixed-life	Order Number		Price (USD)
	Black	Yellow	
%LEL(IR), Oxygen (O ₂), Hydrogen sulfide (H ₂ S), Carbon monoxide (CO)	ICON-B-H	ICON-Y-H	\$437.00
%LEL(IR), Oxygen (O ₂), Hydrogen sulfide (H ₂ S), Sulfur dioxide (SO ₂)	ICON-B-S	ICON-Y-S	\$483.00

Honeywell BW™ Icon+ 4-Gas Detector, Serviceable	Order Number		Price (USD)
	Black	Yellow	
%LEL(IR), Oxygen (O ₂), Hydrogen sulfide (H ₂ S), Carbon monoxide (CO)	CP-I-W5X1H1M1-B-00	CP-I-W5X1H1M1-Y-00	\$638.00
%LEL(IR), Oxygen (O ₂), Hydrogen sulfide (H ₂ S), Sulfur dioxide (SO ₂)	CP-I-W5X1H1S3-B-00	CP-I-W5X1H1S3-Y-00	\$706.00

Honeywell BW™ Icon+ 3-Gas Detector, Serviceable	Order Number		Price (USD)
	Black	Yellow	
%LEL(IR), Oxygen (O ₂), Hydrogen sulfide (H ₂ S)	CP-I-W5X1H100-B-00	CP-I-W5X1H100-Y-00	\$557.00
%LEL(IR), Oxygen (O ₂), Carbon monoxide (CO)	CP-I-W5X100M1-B-00	CP-I-W5X100M1-Y-00	\$557.00
%LEL(IR), Hydrogen sulfide (H ₂ S), Carbon monoxide (CO)	CP-I-W500H1M1-B-00	CP-I-W500H1M1-Y-00	\$557.00
Oxygen (O ₂), Hydrogen sulfide (H ₂ S), Carbon monoxide (CO)	CP-I-00X1H1M1-B-00	CP-I-00X1H1M1-Y-00	\$557.00
%LEL(IR), Oxygen (O ₂), Sulfur dioxide (SO ₂)	CP-I-W5X100S3-B-00	CP-I-W5X100S3-Y-00	\$627.00
%LEL(IR), Hydrogen sulfide (H ₂ S), Sulfur dioxide (SO ₂)	CP-I-W500H1S3-B-00	CP-I-W500H1S3-Y-00	\$627.00
Oxygen (O ₂), Hydrogen sulfide (H ₂ S), Sulfur dioxide (SO ₂)	CP-I-00X1H1S3-B-00	CP-I-00X1H1S3-Y-00	\$627.00

Honeywell BW™ Icon+ 2-Gas Detector, Serviceable	Order Number		Price (USD)
	Black	Yellow	
%LEL(IR), Oxygen (O ₂)	CP-I-W5X10000-B-00	CP-I-W5X10000-Y-00	\$472.00
%LEL(IR), Hydrogen sulfide (H ₂ S)	CP-I-W500H100-B-00	CP-I-W500H100-Y-00	\$472.00
%LEL(IR), Carbon monoxide (CO)	CP-I-W50000M1-B-00	CP-I-W50000M1-Y-00	\$472.00
Hydrogen sulfide (H ₂ S), Carbon monoxide (CO)	CP-I-0000H1M1-B-00	CP-I-0000H1M1-Y-00	\$472.00
Oxygen (O ₂), Hydrogen sulfide (H ₂ S)	CP-I-00X1H100-B-00	CP-I-00X1H100-Y-00	\$472.00
Oxygen (O ₂), Carbon monoxide (CO)	CP-I-00X100M1-B-00	CP-I-00X100M1-Y-00	\$472.00
%LEL(IR), Sulfur dioxide (SO ₂)	CP-I-W50000S3-B-00	CP-I-W50000S3-Y-00	\$541.00
Hydrogen sulfide (H ₂ S), Sulfur dioxide (SO ₂)	CP-I-0000H1S3-B-00	CP-I-0000H1S3-Y-00	\$541.00
Oxygen (O ₂), Sulfur dioxide (SO ₂)	CP-I-00X100S3-B-00	CP-I-00X100S3-Y-00	\$541.00

Honeywell BW™ Icon+ 1-Gas Detector, Serviceable	Order Number		Price (USD)
	Black	Yellow	
%LEL(IR)	CP-I-W5000000-B-00	CP-I-W5000000-Y-00	\$419.00
Oxygen (O ₂)	CP-I-00X10000-B-00	CP-I-00X10000-Y-00	\$419.00
Hydrogen sulfide (H ₂ S)	CP-I-0000H100-B-00	CP-I-0000H100-Y-00	\$419.00
Carbon monoxide (CO)	CP-I-000000M1-B-00	CP-I-000000M1-Y-00	\$419.00
Sulfur dioxide (SO ₂)	CP-I-000000S3-B-00	CP-I-000000S3-Y-00	\$488.00

Service Made Simple: Pricing is available on the partner portal (<https://sps.honeywell.com/partners/safety>) for Platinum and Gold Service Contracts, Rental Contracts and On Demand Repair and/or Calibration services. You can learn more about Service Made Simple on the partner portal or by contacting your local Honeywell sales representative.

Honeywell BW™ Icon Series Four-Gas Detector (continued)

Honeywell BW™ Icon/Icon+ Charging & IR Accessories	Order Number	Compatible With	Price (USD)
Mains 5-way charger, BW Icon/Flex	GA-PA-1-MC5-NA	Icon, Icon+	\$155.00
USB Charger Cable	CP-USB	Icon, Icon+	\$27.00
5-way cradle charger, BW Icon/Icon+	CP-C01-5	Icon, Icon+	\$345.00
IR connectivity kit	GA-USB1-IR	Icon, Icon+	\$125.00
12 Vdc to 24 Vdc vehicle power adaptor	GA-VPA-1	Icon, Icon+	\$52.00
12 Vdc to 24 Vdc direct-wire power adaptor	GA-PA-3	Icon, Icon+	\$64.00
Replacement wall outlet power adaptor	GA-PA-1-NA	Icon, Icon+	\$26.00

Honeywell BW™ Icon/Icon+ External Filters and Aspirator Pump	Order Number	Compatible With	Price (USD)
External Auxiliary Filter Kit - CO	CP-AF-K1	Icon, Icon+	\$20.00
External Auxiliary Filter Kit - SO ₂	CP-AF-K2	Icon, Icon+	\$20.00
Replacement External Filters (10 pc)	CP-SS-AF-K1	Icon, Icon+	\$32.00
Manual aspirator pump kit with probe and filter (0.3 m (1 ft))	GA-AS02	Icon, Icon+	\$155.00

Honeywell BW™ Icon/Icon+ Carrying Accessories	Order Number	Compatible With	Price (USD)
Neck strap with safety release	GA-NS-1	Icon, Icon+	\$25.00
Short strap 15.2 cm (6 in)	GA-LY-1	Icon, Icon+	\$17.00
Extension strap 1.2 m (4 ft)	GA-ES-1	Icon, Icon+	\$60.00
Chest harness	GA-CH-2	Icon, Icon+	\$102.00



Chest Harness
GA-CH-2



Neck Strap with Safety Release
GA-NS-1



Extension Strap 1.2 m (4 ft)
GA-ES-1



Short strap 15.2 cm (6 in)
GA-CH-2



Vehicle Power Adaptor, 12 Vdc to 24 Vdc
GA-VPA-1



5-way Cradle Charger
CP-C01-5



External Auxiliary Filter Kit - CO, SO₂
CP-AF-K1 (CO)
CP-AF-K2 (SO₂)



IR Connectivity Kit
GA-USB1-IR



Direct-Wire Power Adaptor, 12 Vdc to 24 Vdc
GA-PA-3
Used for emergency vehicles and other applications

Honeywell BW™ Icon Series Four-Gas Detector (continued)

Honeywell BW™ Icon/Icon+ Service Spares	Order Number	Compatible With	Price (USD)
Replacement sensor membrane - kit of 4 (1 full unit)	CP-SS	Icon, Icon+	\$27.00
Replacement sensor membrane - kit of 20 (5 full units)	CP-SS-K1	Icon, Icon+	\$70.00
Replacement front enclosure, BW™ Icon	CP-FC1	Icon	\$123.00
Replacement front enclosure, BW™ Icon+	CP-FC2	Icon+	\$123.00
Main PCB analog with bat & screws	CP-MPCB1	Icon+	\$422.00
Replacement back shell, Yellow	CP-BC1	Icon, Icon+	\$70.00
Replacement back shell, Black	CP-BC1B	Icon, Icon+	\$70.00
Replacement screws (20 pc)	CP-SCREW-K1	Icon, Icon+	\$14.00
Replacement vibration motor	CP-VM-1	Icon, Icon+	\$22.00
Replacement sensor label pack, BW™ Icon	CP-LBL-1	Icon	\$13.00
Replacement sensor label pack, BW™ Icon+	CP-LBL-2	Icon+	\$13.00
Replacement Battery	CP-BAT	Icon, Icon+	\$59.00
Replacement alligator clip	CP-AG	Icon, Icon+	\$27.00
Replacement klickfast stud	CP-KF	Icon, Icon+	\$38.00
Replacement sensor frame	CP-SF1	Icon, Icon+	\$70.00
Calibration cap and hose, Icon/Flex	CP-TC-1	Icon, Icon+	\$17.00

Honeywell BW Icon+ Replacement Sensors	Order Number	Compatible With	Price (USD)
Dummy sensor (1-Series)	SR-DUMM-1S	Icon+	\$23.00
Replacement hydrogen sulfide (H ₂ S) sensor (1-Series)	SR-H1-1S	Icon+	\$339.00
Replacement carbon monoxide (CO) sensor (1-Series)	SR-M1-1S	Icon+	\$339.00
Replacement sulfur dioxide (SO ₂) sensor (1-Series)	SR-S3-1S	Icon+	\$261.00
Replacement combustible (LEL) IR sensor (1-Series)	SR-W5-1S	Icon+	\$288.00
Replacement oxygen (O ₂) sensor (1-Series)	SR-X1-1S	Icon+	\$271.00

Notes



Honeywell BW™ Flex4
Overview Mode

Honeywell BW™ Flex4
Focus Mode

- | | |
|--|--------------------------------------|
| H₂S Hydrogen Sulfide | O₂ Oxygen |
| CO Carbon Monoxide | SO₂ Sulfur Dioxide |
| LEL Combustible Gases* | |

*LEL (NDIR) not suitable for H₂, Acetylene; LEL catalytic bead (filtered/unfiltered) for H₂ and broad flammable gas detection

Coming 2022

- | | |
|--|-----------------------------|
| Cl₂ Chlorine | NO Nitrogen Oxide |
| NO₂ Nitrogen Dioxide | HCN Hydrogen Cyanide |

Honeywell BW™ Flex4

Serviceable Multi-Gas (1-4) Detector

Serviceable 4-gas in a small, lightweight package

The serviceable BW™ Flex4 enables up to 4 sensors to be fitted. The user can customize the display to operate the way they want, either focusing on one large reading at a time or all sensors simultaneously. Either way, the single pushbutton operation and up to 2 month battery run time on a single charge, ensures protection from multiple gas hazards.

Advanced connectivity enables logged data to be added to field reports and continuous remote monitoring of workers using mobile Apps that are free to download.

Standard Package Contents

- Detector complete with sensors, stainless steel alligator clip, concussion-proof housing, and built-in rechargeable battery
- Calibration/test cap and hose
- USB charging cable
- Quick Start Guide

GENERAL SPECIFICATIONS	
SIZE	10.8 cm x 6.2 cm x 4.3 cm (4.3 in x 2.4 in x 1.7 in) with Alligator Clip 10.8 cm x 6.2 cm x 3.8 cm (4.3 in x 2.4 in x 1.5 in) with Klick Fast Stud
WEIGHT	With Catalytic LEL: 189 g (6.7 oz) with Alligator Clip, 173 g (6.1 oz) with Klick Fast Stud With IR LEL: 186 g (6.6 oz) with Alligator Clip, 170 g (6.0 oz) with Klick Fast Stud
OPERATING TEMPERATURE	-40° C to 60° C (-40° F to 140° F) -20° C to 60° C (-4° F to 140° F) with Catalytic LEL
TYPICAL BATTERY LIFE	40 days* with IR LEL; 15 hours with Catalytic LEL <i>*Based on 8 hours of use per day</i>
INGRESS PROTECTION	IP66/68
WARRANTY	Four year warranty including sensors (O ₂ , H ₂ S, CO, SO ₂ , LEL)

Honeywell BW™ Flex4 Serviceable Multi-Gas (1–4) Detectors (continued)

Honeywell BW™ Flex4	Order Number		Price (USD)
	Black	Yellow	
%LEL(IR), Oxygen (O ₂), Hydrogen sulfide (H ₂ S), Carbon monoxide (CO)	CPD-W5X1H1M1-B-00	CPD-W5X1H1M1-Y-00	\$700.00
%LEL(IR), Oxygen (O ₂), Hydrogen sulfide (H ₂ S), Sulfur dioxide (SO ₂)	CPD-W5X1H1S3-B-00	CPD-W5X1H1S3-Y-00	\$793.00
%LEL(IR), Oxygen (O ₂), Sulfur dioxide (SO ₂), Carbon monoxide (CO)	CPD-W5X1S3M1-B-00	CPD-W5X1S3M1-Y-00	\$755.00

Honeywell BW™ Flex4 (Filtered Catalytic LEL)	Order Number		Price (USD)
	Black	Yellow	
%LEL(F), Oxygen (O ₂), Hydrogen sulfide (H ₂ S), Carbon monoxide (CO)	CPD-W6X1H1M1-B-00	CPD-W6X1H1M1-Y-00	\$700.00
%LEL(F), Oxygen (O ₂), Hydrogen sulfide (H ₂ S), Sulfur dioxide (SO ₂)	CPD-W6X1H1S3-B-00	CPD-W6X1H1S3-Y-00	\$793.00
%LEL(F), Oxygen (O ₂), Sulfur dioxide (SO ₂), Carbon monoxide (CO)	CPD-W6X1S3M1-B-00	CPD-W6X1S3M1-Y-00	\$755.00

Honeywell BW™ Flex4 (Unfiltered Catalytic LEL)	Order Number		Price (USD)
	Black	Yellow	
%LEL(UF), Oxygen (O ₂), Hydrogen sulfide (H ₂ S), Carbon monoxide (CO)	CPD-W7X1H1M1-B-00	CPD-W7X1H1M1-Y-00	\$700.00
%LEL(UF), Oxygen (O ₂), Hydrogen sulfide (H ₂ S), Sulfur dioxide (SO ₂)	CPD-W7X1H1S3-B-00	CPD-W7X1H1S3-Y-00	\$793.00
%LEL(UF), Oxygen (O ₂), Sulfur dioxide (SO ₂), Carbon monoxide (CO)	CPD-W7X1S3M1-B-00	CPD-W7X1S3M1-Y-00	\$755.00

Notes

Honeywell BW™ Flex4 Serviceable Multi-Gas (1–4) Detectors (continued)

Honeywell BW™ Flex Order Number and Pricing Configurator

▶ Sensor 2			▶ Sensor 3		
None (dummy sensor)	\$0.00	00	00	\$0.00	None (dummy sensor)
O ₂ (oxygen)	\$99	X1	H1	\$94	H ₂ S (hydrogen sulfide)
▶ Sensor 1			▶ Sensor 4		
None (dummy sensor)	\$0.00	00	00	\$0.00	None (dummy sensor)
%LEL (combustibles) Infrared Low Power	\$110.00	W5	M1	\$83	CO (carbon monoxide)
%LEL (combustibles) Catalytic, Filtered	\$110.00	W6	S3	\$176.00	SO ₂ (sulfur dioxide)
%LEL (combustibles) Catalytic, Unfiltered	\$110.00	W7	▶ Housing		
▶ Base Unit			Y	Yellow housing	
Base Unit	\$314.00	CPD	B	Black housing	
			▶ Region		
			00	Global	

Order number: CPD - [] - [] - [] - [] - [] - [] - [] - 00

Price (USD): \$314 + [] + [] + [] + [] + [] + [] + \$0 = _____

For example, the order number for a BW™ Flex configured for %LEL (combustibles) Infrared Low Power, O₂, H₂S, CO, and yellow housing would be CPD-W5X1H1M1-Y-00 for a price of \$702.00.

*Note: LEL sensors can only be installed in the Sensor 1 Slot. O₂ sensors can only be installed in the Sensor 2 Slot. All remaining sensors must be selected in alphabetical order starting with the lowest numbered available sensor slot. You must select only sensors of the same type and must not contain mixtures of analogue and digital sensors.

Honeywell Analytics recommends using a combustible (LEL) sensor only when accompanied by an oxygen (O₂) sensor. As oxygen is required for the detection of combustible gases, a Catalytic LEL sensor may not detect combustible hazards in an oxygen deprived environment. IR LEL Sensors are better suited to oxygen deprived environments.

For further information regarding the effectiveness and suitability of the types of LEL combustibles sensors for your target gas and application, please refer to the LEL sensor information page within the Price Guide or alternatively contact your local Honeywell Sales Representative. Please contact your Honeywell representative for availability of Digital i-Series sensors.

Honeywell BW™ Flex4 Serviceable Multi-Gas (1-4) Detectors (continued)

Honeywell BW™ Flex Charging & IR Accessories	Order Number	Compatible With	Price (USD)
Mains 5-way charger	GA-PA-1-MC5-NA*	Icon, Icon+, Flex	\$155.00
USB charger cable	CP-USB	Icon, Icon+, Flex	\$27.00
5-way cradle charger	CP-C01-5	Icon, Icon+, Flex	\$345.00
IR connectivity kit	GA-USB1-IR	Icon, Icon+, Flex	\$125.00
12 Vdc to 24 Vdc vehicle power adaptor	GA-VPA-1	Icon, Icon+ Flex	\$52.00
12 Vdc to 24 Vdc direct-wire power adaptor	GA-PA-3	Icon, Icon+ Flex	\$64.00
Replacement wall outlet power adaptor	GA-PA-1-NA	Icon, Icon+ Flex	\$26.00

*For regions outside North America replace "-NA" with: "-EU" for Europe, "-UK" for United Kingdom and "-AU" for Australia/China.

Honeywell BW™ Flex External Filters and Aspirator Pump	Order Number	Compatible With	Price (USD)
External auxiliary filter kit	CP-AF-K3	Flex	\$35.00
Replacement external filters (10 pc)	CP-SS-AF-K1	Icon, Icon+, Flex	\$32.00
Calibration cap	CP-TC-1	Icon, Icon+, Flex	\$17.00
Manual aspirator pump kit with probe and filter (0.3 m (1 ft))	GA-AS02	Icon, Icon+, Flex	\$155.00

Honeywell BW™ Flex Carrying Accessories	Order Number	Compatible With	Price (USD)
Neck strap with safety release	GA-NS-1	Icon, Icon+, Flex	\$25.00
Short strap (15.2 cm (6 in))	GA-LY-1	Icon, Icon+, Flex	\$17.00
Extension strap (1.2 m (4 ft))	GA-ES-1	Icon, Icon+, Flex	\$60.00
Chest harness	GA-CH-2	Icon, Icon+, Flex	\$102.00

Honeywell IntelliDoX® Docking System	Order Number	Compatible With	Price (USD)
Honeywell IntelliDoX®, includes Multi-Inlet Key	DX-CP	Icon, Icon+, Flex	\$2,616.00
Honeywell IntelliDoX® nest	DX-NEST-CP	Icon, Icon+, Flex	\$683.00
Enabler kit, NA version (North America)	DX-ENBL-NA	Icon, Icon+, Flex	\$299.00

Note: One Honeywell IntelliDoX® enabler kit is required for each docking system. Each docking system can support up to five Honeywell IntelliDoX® modules. For a complete list of Honeywell IntelliDoX® parts, please refer to the Honeywell IntelliDoX® Docking System section on pages 67-70.



5-way Cradle Charger, BW™ ICON, ICON+, FLEX
CP-C01-5



Honeywell IntelliDoX® Automated Instrument Management System
IntelliDoX®, unmatched performance and customization. The IntelliDoX® instrument management system combines smart docking modules with Honeywell Safety Suite Device Configurator software to provide automated instrument management, helping drive productivity, reliability and efficiency. Place the detector in the docking module, and it automatically tests the gas detector and sensors while transferring data to the docking station.

The IntelliDoX®, via Honeywell Safety Suite Device Configurator software, allows users to configure these settings for their BW™ Icon/Flex Series of detectors.



Chest Harness
GA-CH-2



Neck Strap with Safety Release
GA-NS-1



Short strap 15.2 cm (6 in)
GA-CH-2



Vehicle Power Adaptor, 12 Vdc to 24 Vdc
GA-VPA-1



Direct-Wire Power Adaptor, 12 Vdc to 24 Vdc
GA-PA-3
Used for emergency vehicles and other applications



IR Connectivity Kit
GA-USB1-IR

Honeywell BW™ Flex4 Serviceable Multi-Gas (1–4) Detectors (continued)



Legend	Service Parts	Order Number	Compatible With	Price (USD)
J	Replacement sensor membrane - kit of 4 (1 full unit)	CP-SS	Icon, Icon+, Flex	\$27.00
J	Replacement sensor membrane - kit of 20 (5 full units)	CP-SS-K1	Icon, Icon+, Flex	\$70.00
K	Replacement front enclosure	CP-FC3	Flex	\$46.00
F	Replacement PCB	CP-MPCB4	Flex	\$365.00
D	Replacement back shell, Yellow	CP-BC1	Icon, Icon+, Flex	\$70.00
D	Replacement back shell, Black	CP-BC1B	Icon, Icon+, Flex	\$70.00
C	Replacement screws (20 pc)	CP-SCREW-K1	Icon, Icon+, Flex	\$14.00
I	Replacement vibration motor	CP-VM-1	Icon, Icon+, Flex	\$22.00
L	Replacement sensor label pack	CP-LBL-3	Flex	\$22.00
E	Replacement Battery	CP-BAT	Icon, Icon+, Flex	\$59.00
A	Replacement Alligator Clip	CP-AG	Icon, Icon+, Flex	\$27.00
B	Replacement Klickfast Stud	CP-KF	Icon, Icon+, Flex	\$38.00
H	Replacement LCD Kit	CP-LCD-K1	Flex	\$73.00
G	Replacement LCD frame	CP-SF2	Flex	\$17.00

Replacement Sensors	Order Number	Compatible With	Price (USD)
Replacement LEL IR sensor, 1 Series (digital)	SR-W5-1S	Icon+, Flex	\$288.00
Replacement LEL sensor, Filtered	SR-W6-1S	Flex	\$339.00
Replacement LEL sensor, Unfiltered	SR-W7-1S	Flex	\$339.00
Replacement O ₂ sensor, 1 Series	SR-X1-1S	Icon+, Flex	\$271.00
Replacement H ₂ S sensor, 1 Series	SR-H1-1S	Icon+, Flex	\$339.00
Replacement CO sensor, 1 Series	SR-M1-1S	Icon+, Flex	\$339.00
Replacement SO ₂ sensor, 1 Series	SR-S3-1S	Icon+, Flex	\$261.00
Replacement Dummy sensor, 1 Series	SR-DUMM-1S	Icon+, Flex	\$23.00



**Honeywell BW™
MicroClip XL**
2-Year Warranty

**Honeywell BW™
MicroClip X3**
3-Year Warranty with
Long Life O₂ Sensor

Honeywell BW™ MicroClip Series

Multi-Gas (1-4) Detector

Multi-gas made simple

The easy-to-wear, slim and compact Honeywell BW™ MicroClip X3 provides affordable protection from atmospheric gas hazards and extended battery life, especially in cold weather. The Honeywell BW™ MicroClip X3 features visual compliance at a glance with the flashing green IntelliFlash™. Easy one-button operation reduces training time and lets workers focus on the job at hand. For simple, cost-effective management of your records, calibration and bump testing, choose Honeywell's IntelliDoX® automatic test and calibration system and Safety Suite Device Configurator software.

Meets ACGIH 1 ppm H₂S TWA recommendations.

Standard Package Contents

- Detector complete with specified sensor(s), stainless steel alligator clip and concussion-proof housing
- Rechargeable battery
- Wall outlet charging adaptor
- Calibration/test cap and hose
- Manual

IntelliFlash

H₂S Hydrogen Sulfide

O₂ Oxygen

CO Carbon Monoxide

LEL Combustible Gases

GENERAL SPECIFICATIONS

SIZE 11.3 cm x 6.0 cm x 3.1 cm (4.4 in x 2.4 in x 1.2 in)

WEIGHT 190 g (6.7 oz)

TEMPERATURE -20° C to 50° C (-4° F to 122° F)

TYPICAL BATTERY LIFE 18 hours (typical), recharges in less than 6 hours

CERTIFICATIONS AND APPROVALS **CE:** Class I, Div. 1, Gr. A, B, C, D

ATEX: CE Ex II 1 G
Ex ia IIC T4 Ga

IECEx: Ex ia IIC T4 Ga

CE: European Conformity

WARRANTY Honeywell BW™ MicroClip XL:
Full two-year warranty including sensors and battery
Honeywell BW™ MicroClip X3:
Full three-year warranty including all sensors
(additional one-year warranty available)

6642-4

Honeywell BW™ MicroClip Series Multi-Gas (1–4) Detector (continued)

Honeywell BW™ MicroClip XL	Gases	Order Number	Price (USD)
4-Gas Detector, yellow housing	%LEL, O ₂ , H ₂ S, CO	MCXL-XWHM-Y-NA	\$772.00
3-Gas Detector, yellow housing	%LEL, O ₂ , H ₂ S	MCXL-XWHO-Y-NA	\$656.00
3-Gas Detector, yellow housing	%LEL, O ₂ , CO	MCXL-XWOM-Y-NA	\$656.00
3-Gas Detector, yellow housing	O ₂ , H ₂ S, CO	MCXL-XOHM-Y-NA	\$656.00
2-Gas Detector, yellow housing	%LEL, O ₂	MCXL-XW00-Y-NA	\$559.00
2-Gas Detector, yellow housing	H ₂ S, CO	MCXL-00HM-Y-NA	\$565.00
2-Gas Detector, yellow housing	O ₂ , H ₂ S	MCXL-X0H0-Y-NA	\$559.00
2-Gas Detector, yellow housing	O ₂ , CO	MCXL-X00M-Y-NA	\$565.00
1-Gas Detector, yellow housing	O ₂	MCXL-X000-Y-NA	\$473.00
1-Gas Detector, yellow housing	H ₂ S	MCXL-00H0-Y-NA	\$485.00
1-Gas Detector, yellow housing	CO	MCXL-000M-Y-NA	\$471.00
4-Gas Detector, black housing	%LEL, O ₂ , H ₂ S, CO	MCXL-XWHM-B-NA	\$875.00
3-Gas Detector, black housing	%LEL, O ₂ , H ₂ S	MCXL-XWHO-B-NA	\$742.00
3-Gas Detector, black housing	%LEL, O ₂ , CO	MCXL-XWOM-B-NA	\$742.00
3-Gas Detector, black housing	O ₂ , H ₂ S, CO	MCXL-XOHM-B-NA	\$742.00
2-Gas Detector, black housing	%LEL, O ₂	MCXL-XW00-B-NA	\$633.00
2-Gas Detector, black housing	H ₂ S, CO	MCXL-00HM-B-NA	\$641.00
2-Gas Detector, black housing	O ₂ , H ₂ S	MCXL-X0H0-B-NA	\$633.00
2-Gas Detector, black housing	O ₂ , CO	MCXL-X00M-B-NA	\$641.00
1-Gas Detector, black housing	O ₂	MCXL-X000-B-NA	\$536.00
1-Gas Detector, black housing	H ₂ S	MCXL-00H0-B-NA	\$567.00
1-Gas Detector, black housing	CO	MCXL-000M-B-NA	\$550.00

Honeywell BW™ MicroClip X3	Gases	Order Number	Price (USD)
4-Gas Detector, yellow housing	%LEL, O ₂ , H ₂ S, CO	MCX3-XWHM-Y-NA	\$876.00
3-Gas Detector, yellow housing	%LEL, O ₂ , H ₂ S	MCX3-XWHO-Y-NA	\$742.00
3-Gas Detector, yellow housing	%LEL, O ₂ , CO	MCX3-XWOM-Y-NA	\$742.00
3-Gas Detector, yellow housing	O ₂ , H ₂ S, CO	MCX3-XOHM-Y-NA	\$742.00
2-Gas Detector, yellow housing	%LEL, O ₂	MCX3-XW00-Y-NA	\$649.00
2-Gas Detector, yellow housing	H ₂ S, CO	MCX3-00HM-Y-NA	\$649.00
2-Gas Detector, yellow housing	O ₂ , H ₂ S	MCX3-X0H0-Y-NA	\$649.00
2-Gas Detector, yellow housing	O ₂ , CO	MCX3-X00M-Y-NA	\$649.00
1-Gas Detector, yellow housing	O ₂	MCX3-X000-Y-NA	\$565.00
1-Gas Detector, yellow housing	H ₂ S	MCX3-00H0-Y-NA	\$588.00
1-Gas Detector, yellow housing	CO	MCX3-000M-Y-NA	\$578.00
4-Gas Detector black housing	%LEL, O ₂ , H ₂ S, CO	MCX3-XWHM-B-NA	\$993.00
3-Gas Detector black housing	%LEL, O ₂ , H ₂ S	MCX3-XWHO-B-NA	\$858.00
3-Gas Detector black housing	%LEL, O ₂ , CO	MCX3-XWOM-B-NA	\$858.00
3-Gas Detector black housing	O ₂ , H ₂ S, CO	MCX3-XOHM-B-NA	\$858.00
2-Gas Detector black housing	%LEL, O ₂	MCX3-XW00-B-NA	\$750.00
2-Gas Detector black housing	H ₂ S, CO	MCX3-00HM-B-NA	\$750.00
2-Gas Detector black housing	O ₂ , H ₂ S	MCX3-X0H0-B-NA	\$750.00
2-Gas Detector black housing	O ₂ , CO	MCX3-X00M-B-NA	\$750.00
1-Gas Detector black housing	O ₂	MCX3-X000-B-NA	\$653.00
1-Gas Detector black housing	H ₂ S	MCX3-00H0-B-NA	\$679.00
1-Gas Detector black housing	CO	MCX3-000M-B-NA	\$668.00

Note: For Honeywell BW™ MicroClip Series equipped with an unfiltered combustible (LEL) gas sensor, replace order number component 'W' with 'U' (e.g. MCXL-XUHM-Y-NA). For a full list of available configurations, refer to the Full Product Index on pages 90-91. For more information on filtered and unfiltered LEL sensors, please see page 108.

Honeywell BW™ MicroClip Series Multi-Gas (1–4) Detector (continued)

Confined Space Kit	Order Number	Price (USD)
Honeywell BW™ MicroClip deluxe confined space kit - includes manual aspirator kit, IR connectivity kit for Safety Suite, calibration cap with 0.3 m (1 ft) hose, 0.5 LPM regulator, sampling probe, leather carrying case, auxiliary filter and carrying case with foam insert. <i>Detector and calibration gas sold separately.</i>	MC-CK-DL	\$750.00
Carrying case for Honeywell BW™ MicroClip with foam and lid insert	MC-CK-CC	\$238.00

Carrying & Protective Accessories	Order Number	Price (USD)
Neck strap with safety release	GA-NS-1	\$25.00
Short strap (15.2 cm (6 in))	GA-LY-1	\$17.00
Extension strap (1.2 m (4 ft))	GA-ES-1	\$60.00
Chest harness	GA-CH-2	\$102.00
Black leather and PVC carrying holster	MC2-LC-1	\$69.00
Auxiliary filter kit (complete with filter adaptor and 5 filters)	MC-AF-K1	\$46.00
Auxiliary filter adaptor (no filters)	MC-AF-1	\$32.00
Auxiliary filter replacement for adaptor (kit of 10)	MC-SS-AF-K1	\$32.00

Sampling & Testing Equipment	Order Number	Price (USD)
Manual aspirator pump kit with probe (0.3 m (1 ft))	MC-AS01	\$121.00
Test cap and hose (0.3 m (1 ft)) replacement	MC-TC-1	\$17.00

Note: For complete list of Sampling & Testing Equipment, see the Sampling Equipment section on pages 65-66.

Power Options and Spares	Order Number	Price (USD)
Multi-unit (5) cradle charger	MC2-C01-MC5	\$369.00
Multi-unit (5) wall outlet power adaptor	GA-PA-1-MC5-NA	\$155.00
12 Vdc to 24 Vdc vehicle power adaptor	GA-VPA-1	\$52.00
12 Vdc to 24 Vdc direct-wire power adaptor	GA-PA-3	\$64.00
Replacement wall outlet power adaptor	GA-PA-1-NA*	\$26.00

Wireless Connectivity	Order Number	Price (USD)
Honeywell BW™ Connect wireless adapter	BW-CONNECT	\$73.00

For information on wireless connectivity offerings, please refer to the Connected Worker Solutions section on page 94.



Auxiliary Filter Kit
MC-AF-K1
Easily attaches in the field to protect the internal filter



Black Leather and PVC Case
MC2-LC-1



Honeywell BW™ Connect
BW-CONNECT
Quickly adapt your gas detector into a wireless gas monitoring device



Test Cap
MC-TC-1

Manual Aspirator Pump Kit
MC-AS01
For remote sampling; complete with probe, hose, aspirator pump and adaptor cap



Honeywell IntelliDoX®
Automatic instrument management system (see Honeywell IntelliDoX® section for additional information).



Deluxe Confined Space Kit
MC-CK-DL
Order detector and calibration gas separately.

Honeywell BW™ MicroClip Series Multi-Gas (1-4) Detector (continued)

Honeywell IntelliDoX® Docking System	Order Number	Price (USD)
Honeywell IntelliDoX® docking station for Honeywell BW™ MicroClip XT, XL or X3	DX-MCLP	\$2,616.00
Honeywell IntelliDoX® enabler kit, NA version (North America) Includes power supply with region-specific AC power cord, ethernet cable, inlet (purge) filter assembly, 1 m (3 ft) calibration gas tubing, 1 m (3 ft) purge gas tubing, 4.5 m (15 ft) exhaust tubing and quick connect fittings.	DX-ENBL-NA*	\$299.00

*For regions outside North America replace "-NA" with: "-EU" for Europe, "-UK" for United Kingdom and "-AU" for Australia/China.

Note: One Honeywell IntelliDoX® enabler kit is required for each docking system. Each docking system can support up to five Honeywell IntelliDoX® modules.
For a complete list of Honeywell IntelliDoX® parts, please refer to the Honeywell IntelliDoX® Docking System section on pages 67-70.

Calibration & Testing Equipment	Order Number	Price (USD)
Quad-gas: CH ₄ (2.5%), O ₂ (18%), H ₂ S (25 ppm), CO (100 ppm), balance N ₂ , 34 L (requires REG-DF-1 or REG-0.5)	CG-Q34-4	\$244.00
Quad-gas: CH ₄ (2.5%), O ₂ (18%), H ₂ S (25 ppm), CO (100 ppm), balance N ₂ , 58 L (requires REG-DF-1 or REG-0.5)	CG-Q58-4	\$299.00
Demand flow regulator (for use with the Honeywell IntelliDoX®)	REG-DF-1	\$511.00
Calibration gas regulator (0.5 LPM)	REG-0.5	\$228.00
Calibration hose, Tygon (0.3 m (1 ft)), 1/8 in I.D., 1/4 in O.D.)	C2-HOSE1-1	\$10.00
Wall mount (adjustable) for 34 L, 58 L or 103 L gas cylinders, red	MK-CG2-58	\$129.00

For a full list of calibration and testing equipment, please see pages 103-104.

Replacement Sensor Screens	Order Number	Price (USD)
Replacement quad sensor screen filters for Honeywell BW™ MicroClip (kit of 2)	MC2-SS	\$33.00
Replacement quad sensor screen filters for Honeywell BW™ MicroClip (kit of 10)	MC2-SS-K1	\$157.00

Replacement Sensors	Order Number	Price (USD)
Replacement MICROpeL® 75 combustible (LEL) sensor (unfiltered) ¹	SR-W-MP75	\$171.00
Replacement MICROpeL® combustible (LEL) sensor ¹	SR-W-MP75C	\$164.00
Replacement oxygen (O ₂) sensor (for Honeywell BW™ MicroClip XL)	SR-X2V	\$224.00
Replacement oxygen (O ₂) sensor (for Honeywell BW™ MicroClip X3)	SR-X3P	\$309.00
Replacement MICROceL® hydrogen sulfide (H ₂ S) sensor	SR-H-MC	\$145.00
Replacement MICROceL® carbon monoxide (CO) sensor	SR-M-MC	\$164.00
Dummy sensor for combustible (LEL) sensor location	SR-W-MC-DUM	\$24.00
Dummy sensor for the oxygen sensor location	SR-DUMM1	\$24.00
Dummy sensor for toxic sensor locations	SR-TOX-MC-DUM	\$24.00

¹Advisory: Detectors are equipped on a standard basis with SR-W-MP75C combustible sensors. This sensor includes a heavy-duty silicone filter that make it ideal for use in environments that have known sources of silicone or vapors containing silicon. The SR-W-MP75C silicone filter equipped sensor should not be used when monitoring diesel, kerosene, jet fuel or other heavy hydrocarbon vapors with flashpoint temperatures above 38° C (100° F). For more information on filtered and unfiltered LEL sensors, please see page 108.

Datalogging Accessories	Order Number	Price (USD)
IR connectivity kit for Safety Suite	GA-USB1-IR	\$125.00



Vehicle Power Adaptor
12 Vdc to 24 Vdc
GA-VPA-1



Multi-Unit Cradle Charger
MC2-CO1-MC5
Simultaneously charges five detectors

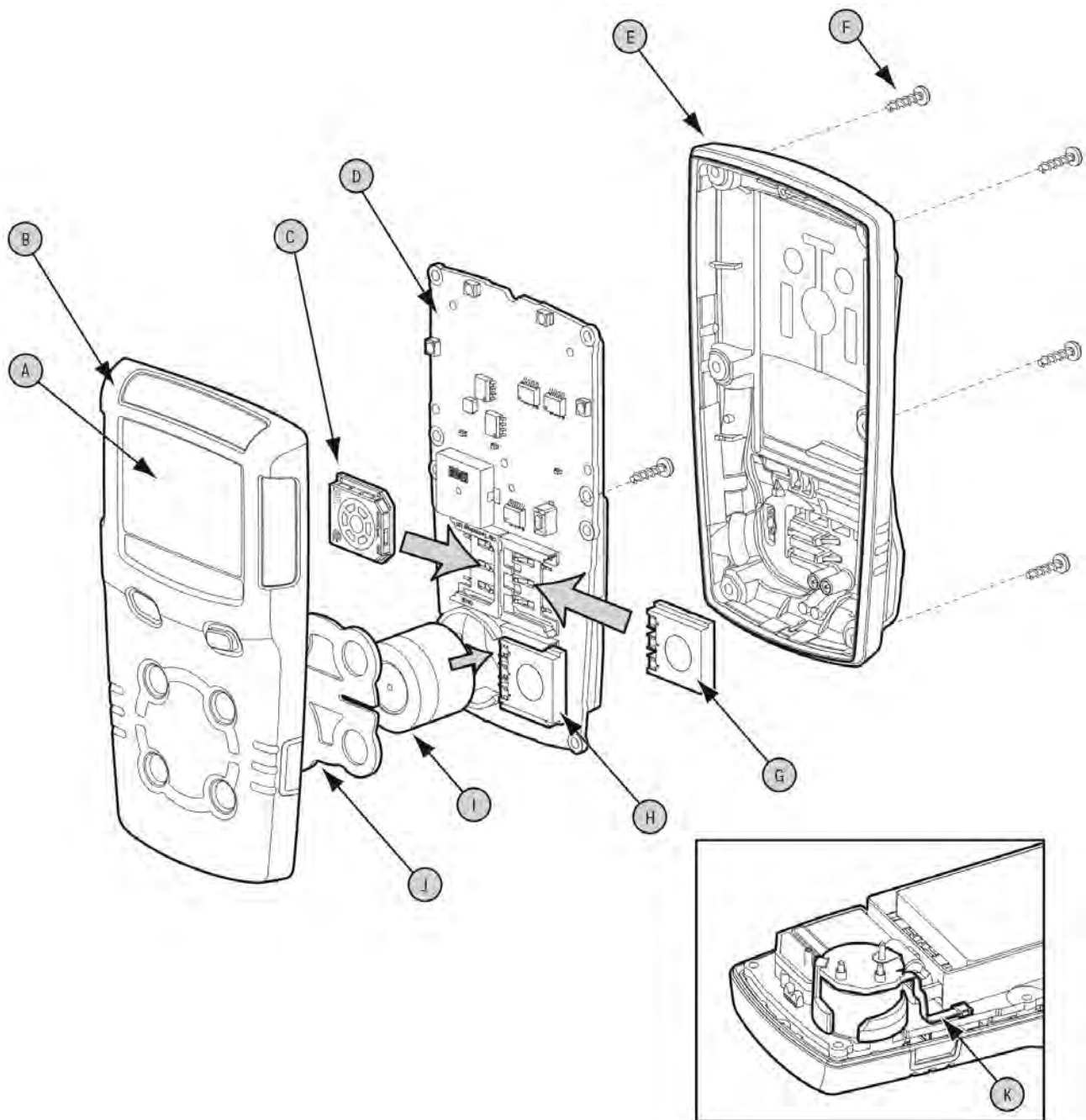


Multi-Unit Power Adaptor
GA-PA-1-MC5-NA*
Simultaneously charges five detectors



IR Connectivity Kit
GA-USB1-IR
Use for data download and instrument set-up options

Honeywell BW™ MicroClip Series Multi-Gas (1-4) Detector (continued)



Note: Please refer to the instrument's documentation (shipped with the product or available at www.honeywellanalytics.com) for complete instructions on common service procedures. Improper servicing or maintenance may affect warranty eligibility. Honeywell assumes no liability for damages resulting from improper servicing or maintenance.

Honeywell BW™ MicroClip Series Multi-Gas (1–4) Detector (continued)

Legend	Service Parts	Order Number	Price (USD)
A	Replacement LCD kit for Honeywell BW™ MicroClip	MC-LCD-K1	\$65.00
B	Replacement front enclosure (yellow) for Honeywell BW™ MicroClip XL	MCXL-FC1	\$33.00
	Replacement front enclosure (black) for Honeywell BW™ MicroClip XL	MCXL-FC1B	\$35.00
	Replacement front enclosure (yellow) for Honeywell BW™ MicroClip X3	MCX3-FC1	\$35.00
	Replacement front enclosure (black) for Honeywell BW™ MicroClip X3	MCX3-FC1B	\$33.00
C	Replacement combustible sensor, see page 26		
D	Replacement main PCB with battery and screws for Honeywell BW™ MicroClip XL	MCXL-MPCB1	\$450.00
	Replacement main PCB with battery and screws for Honeywell BW™ MicroClip X3	MCX3-MPCB1	\$455.00
E	Replacement back enclosure (yellow) with screws and alligator clip for Honeywell BW™ MicroClip XL	MCXL-BC1	\$33.00
	Replacement back enclosure (black) with screws and alligator clip for Honeywell BW™ MicroClip XL	MCXL-BC1B	\$35.00
	Replacement back enclosure (yellow) with screws and alligator clip for Honeywell BW™ MicroClip X3	MCX3-BC1	\$33.00
	Replacement back enclosure (black) with screws and alligator clip for Honeywell BW™ MicroClip X3	MCX3-BC1B	\$35.00
F	Replacement screws (kit of 20)	MC-SCREW-K1	\$19.00
G, H, I	Replacement toxic and oxygen sensors, see page 26		
J	Replacement sensor screen, see page 26		
	Replacement vibration motor	GA-VM-2	\$26.00
K	Replacement flex PCB for Honeywell BW™ MicroClip XL	MC2-FPCB1	\$33.00
	Replacement flex PCB for Honeywell BW™ MicroClip X3	MCX3-FPCB1	\$35.00

How to Replace a Sensor

1. With detector OFF, use No. 1 Phillips screwdriver to remove 6 screws from back enclosure (E)
2. Lift back enclosure (E) straight up
3. Use No. 1 Phillips screwdriver to remove 2 screws from back of PCB (D)
4. Lift PCB (D) together with battery and sensors (C, G, H, I) straight up
5. Remove sensors (C, G or H) by sliding out or sensor (I) by pulling straight up from PCB (D)
6. Insert new sensor (C, G, H, I) into PCB (D)
7. Replace PCB (D) and 2 screws and hand-tighten until firm
8. Replace back enclosure (E)
9. Replace 6 screws in back enclosure (E) and hand-tighten until firm

How to Replace the Sensor Screen

1. With detector OFF, use No. 1 Phillips screwdriver to remove 6 screws from back enclosure (E)
2. Lift back enclosure (E) straight up
3. Use No. 1 Phillips screwdriver to remove 2 screws from back of PCB (D)
4. Lift PCB (D) together with battery and sensors (C, G, H, I) straight up
5. Remove sensor screen (J) from front enclosure (B)
6. Insert new sensor screen (J) into front enclosure (B)
7. Replace PCB (D) and 2 screws and hand-tighten until firm
8. Replace back enclosure (E)
9. Replace 6 screws in back enclosure (E) and hand-tighten until firm

Note: Please refer to the instrument's documentation (shipped with the product or available at www.honeywellanalytics.com) for complete instructions on common service procedures. Improper servicing or maintenance may affect warranty eligibility. Honeywell assumes no liability for damages resulting from improper servicing or maintenance.



Honeywell BW™ Clip4

Multi-Gas (4) Detector

The simplicity of “always on.” The safety and quality of Honeywell.

When you’ve got your hands full in the field, you need no-hassle gas detection you can count on – the Honeywell BW™ Clip4 four-gas detector. Wearable, easy multi-gas detection that’s always on. No charging, no battery or sensor replacements and no hassle. Simple, low cost of ownership guaranteed by the Honeywell commitment to quality and backed by a full ecosystem of supporting technologies. When you clip on the Honeywell BW™ Clip4, you know it’s on.

Always On: 2-Year Continuous Runtime

Once activated, you can rest assured that the Honeywell BW™ Clip4 is always on. Two years of non-stop runtime with no charging or battery swap outs.

Standard Package Contents

- Detector complete with sensors, stainless steel alligator clip, and concussion-proof housing
- Calibration/test cap and hose
- Quick start guide

H₂S Hydrogen Sulfide

O₂ Oxygen

CO Carbon Monoxide

LEL Combustible Gases

GENERAL SPECIFICATIONS

SIZE 12.0 cm x 6.8 cm x 3.2 cm (4.7 in x 2.7 in x 1.3 in)

WEIGHT 233 g (8.2 oz)

OPERATING TEMPERATURE -20° C to 50° C (-4° F to 131° F)

INGRESS PROTECTION IP68

TYPICAL BATTERY LIFE Two years, continuous operation

CERTIFICATIONS AND APPROVALS  Class I, Div 1, Group A, B, C, D
Class I, Zone 0, Group IIC

ATEX: II 1G Ex ia IIC T4 Ga

IECEX: Ex ia IIC T4 Ga

CE: Conforms to all applicable European directives.

For additional certifications, please review the manual or consult Honeywell Analytics.

WARRANTY Full two-year warranty including all sensors

111716-O-AM

Honeywell BW™ Clip4 Multi-Gas (1–4) Detector (continued)

Honeywell BW™ Clip4	Order Number Black	Order Number Yellow	Price (USD)
4-gas detector (O ₂ , LEL, H ₂ S, CO), North American version	BWC4-B-N	BWC4-Y-N	\$811.00

Carrying Accessories	Order Number	Price (USD)
Neck strap with safety release	GA-NS-1	\$25.00
Short strap (15.2 cm (6 in))	GA-LY-1	\$17.00
Extension strap (1.2 m (4 ft))	GA-ES-1	\$60.00
Chest harness	GA-CH-2	\$102.00

Sampling Equipment	Order Number	Price (USD)
Manual aspirator pump kit	D4-AS01	\$155.00

Note: For complete list of Sampling & Testing Equipment, see the Sampling Equipment section on pages 65-66

Honeywell IntelliDoX® Docking System	Order Number	Price (USD)
Honeywell IntelliDoX® docking station for Honeywell BW™ Clip4	DX-BWC4	\$2,616.00
Honeywell IntelliDoX® enabler kit, NA version (North America) Includes power supply with region-specific AC power cord, ethernet cable, inlet (purge) filter assembly, 1 m (3 ft) calibration gas tubing, 1 m (3 ft) purge gas tubing, 4.5 m (15 ft) exhaust tubing and quick connect fittings.	DX-ENBL-NA*	\$299.00

*For regions outside North America replace “-NA” with: “-EU” for Europe, “-UK” for United Kingdom and “-AU” for Australia/China.

Note: One Honeywell IntelliDoX® enabler kit is required for each docking system. Each docking system can support up to five Honeywell IntelliDoX® modules.
For a complete list of Honeywell IntelliDoX® parts, please refer to the Honeywell IntelliDoX® Docking System section on pages 67-70

Calibration & Testing Equipment	Order Number	Price (USD)
Quad-gas: CH ₄ (2.5%), O ₂ (18%), H ₂ S (25 ppm), CO (100 ppm), 34 L, balance N ₂ (requires REG-DF-1 or REG-0.5)	CG-Q34-4	\$244.00
Quad-gas: CH ₄ (2.5%), O ₂ (18%), H ₂ S (25 ppm), CO (100 ppm), 58 L, balance N ₂ (requires REG-DF-1 or REG-0.5)	CG-Q58-4	\$299.00
Demand flow regulator (for use with MicroDock II or Honeywell IntelliDoX®)	REG-DF-1	\$511.00
Calibration gas regulator (0.5 LPM)	REG-0.5	\$228.00
Calibration hose, Tygon (0.3 m (1 ft), 1/8 in I.D., 1/4 in O.D.)	C2-HOSE1-1	\$10.00
Wall mount (adjustable) for 34 L, 58 L or 103 L gas cylinders, red	MK-CG2-58	\$129.00

For a full list of calibration and testing equipment, please see pages 103-104.

Spares & Replacement Parts	Order Number	Price (USD)
Replacement sensor screens for Honeywell BW™ Clip4 (kit of 2)	BWC4-SS	\$33.00
Replacement sensor screens for Honeywell BW™ Clip4 (kit of 10)	BWC4-SS-K1	\$150.00
Replacement test cap for Honeywell BW™ Clip4	BWC4-TC	\$16.00
Replacement alligator clip for Honeywell BW™ Clip4	BWC4-AG	\$39.00
Replacement screw kit for Honeywell BW™ Clip4 (kit of 30)	BWC4-SCREW	\$16.00



Short Strap
GA-LY-1



Neck Strap
GA-NS-1



Test Cap
BWC4-TC



Honeywell IntelliDoX®
Automatic instrument management system (see Honeywell IntelliDoX® section for additional information).



Sensor Screens
BWC4-SS / BWC4-SS-K1
Kit of 2 or 10



IntelliFlash

H₂S Hydrogen Sulfide

O₂ Oxygen

CO Carbon Monoxide

LEL Combustible Gases

GasAlertQuattro

Multi-Gas (1–4) Detector

Visual auditing, easy compliance

Rugged and reliable, the GasAlertQuattro four-gas detector combines a comprehensive range of features with simple one-button operation. With flexible power options, the GasAlertQuattro is always ready. The graphic LCD displays easy-to-identify icons that indicate operational information, such as bump test and calibration status for simplified on-site auditing. IntelliFlash provides continuous visual confirmation of detector operation and compliance. Suited to a wide range of industrial applications including confined space entry, the GasAlertQuattro is fully compatible with BW's MicroDock II automatic test and calibration system.

Meets ACGIH 1 ppm H₂S TWA recommendations.

Standard Package Contents

- GasAlertQuattro
- Rechargeable battery pack or alkaline pack
- Charger wall plug (with rechargeable battery option)
- Calibration cap and hose
- Reversible screwdriver
- Manual, materials booklet and technical reference guide

GENERAL SPECIFICATIONS

SIZE	13.0 cm x 8.1 cm x 4.7 cm (5.1 in x 3.2 in x 1.9 in)	
WEIGHT	316 g (11.15 oz) with rechargeable battery pack 338 g (11.92 oz) with alkaline battery pack	
TYPICAL BATTERY LIFE	AA alkaline:	14 hours (20° C to 50° C (68° F to 122° F))
	Rechargeable:	18 hours (-20° C to 0° C (-4° F to 32° F)) 20 hours (20° C to 50° C (68° F to 122° F))
CERTIFICATIONS AND APPROVALS	CE:	Class I, Div. 1, Gr. A, B, C, D
	ATEX:	X g II 1 G Ga Ex ia IIC T4
	IECEX:	Ga Ex ia IIC T4
	CE:	Conforms to all applicable European directives
	INMETRO:	BR-Ex ia IIC T4
WARRANTY	Full two year warranty including all sensors.	

6432-3

GasAlertQuattro Multi-Gas (1-4) Detector (continued)

GasAlertQuattro	Gases	Alkaline Version*	Price (USD)	Rechargeable Version*	Price (USD)
4-Gas Detector	%LEL, O ₂ , H ₂ S, CO	QT-XWHM-A-Y-NA	\$897.00	QT-XWHM-R-Y-NA	\$975.00
3-Gas Detector	%LEL, O ₂ , H ₂ S	QT-XWHO-A-Y-NA	\$916.00	QT-XWHO-R-Y-NA	\$1,001.00
3-Gas Detector	%LEL, O ₂ , CO	QT-XWOM-A-Y-NA	\$916.00	QT-XWOM-R-Y-NA	\$1,001.00
3-Gas Detector	O ₂ , H ₂ S, CO	QT-XOHM-A-Y-NA	\$916.00	QT-XOHM-R-Y-NA	\$1,001.00
2-Gas Detector	%LEL, O ₂	QT-XW00-A-Y-NA	\$862.00	QT-XW00-R-Y-NA	\$949.00
2-Gas Detector	H ₂ S, CO	QT-00HM-A-Y-NA	\$862.00	QT-00HM-R-Y-NA	\$949.00
2-Gas Detector	O ₂ , H ₂ S	QT-X0H0-A-Y-NA	\$862.00	QT-X0H0-R-Y-NA	\$949.00
2-Gas Detector	O ₂ , CO	QT-X00M-A-Y-NA	\$862.00	QT-X00M-R-Y-NA	\$949.00
1-Gas Detector	O ₂	QT-X000-A-Y-NA	\$805.00	QT-X000-R-Y-NA	\$894.00
1-Gas Detector	H ₂ S	QT-00H0-A-Y-NA	\$805.00	QT-00H0-R-Y-NA	\$894.00
1-Gas Detector	CO	QT-000M-A-Y-NA	\$805.00	QT-000M-R-Y-NA	\$894.00

Note: For GasAlertQuattro equipped with an unfiltered combustible (LEL) gas sensor, replace order number component 'W' with 'U' (e.g. QT-XUHM-A-Y-NA). For a full list of available configurations, refer to the Full Product Index on pages 82-84. For more information on filtered and unfiltered LEL sensors, please see page 108.

*Black housing available with all GasAlertQuattro configurations. To order a unit with black housing replace "-Y-" with "-B-".

GasAlertQuattro Region Codes			
For orders outside North America, change order number component "-NA" to:			
"-EU"	Europe	"-CN"	China/New Zealand
"-UK"	United Kingdom	"-OR"	Other region with 3-pin UK plug
"-AU"	Australia	"-OE"	Other region with 2-pin UK plug

Service Made Simple: Pricing is available on the partner portal www.sps.honeywell.com/partners/safety for Platinum and Gold Service Contracts, Rental Contracts and On Demand Repair and/or Calibration services. You can learn more about Service Made Simple on the partner portal or by contacting your local Honeywell sales representative.

GasAlertQuattro Multi-Gas (1–4) Detector (continued)

Confined Space Kits	Order Number	Price (USD)
GasAlertQuattro Premium Confined Space Kit - includes GasAlertQuattro detector (%LEL, O ₂ , H ₂ S, CO) and standard package contents, plus rechargeable battery pack and wall charging adaptor, alkaline battery pack and AA batteries, manual aspirator kit, IR Connectivity Kit for Safety Suite, sampling probe, calibration cap with 3 m (10 ft) hose, 34 L calibration gas cylinder (2.5% CH ₄ , 1.8% O ₂ , 25 ppm H ₂ S, 100 ppm CO), 0.5 LPM regulator and carrying case with foam insert.	QT-XWHM-R-Y-NA-CS	\$1,751.00
GasAlertQuattro Deluxe Confined Space Kit - includes manual aspirator kit, IR Connectivity Kit for Safety Suite, sampling probe, carrying holster, auxiliary filter kit, calibration cap with 0.3 m (1 ft) hose, 0.5 LPM regulator and carrying case with foam insert. <i>Detector and calibration gas sold separately.</i>	QT-CK-DL	\$915.00
Carrying case for GasAlertQuattro with foam insert	QT-CK-CC	\$288.00

Carrying & Protective Accessories	Order Number	Price (USD)
Concussion-proof boot	GA-BQT	\$52.00
Carrying holster	GA-HQT	\$46.00
Auxiliary filter (LCD protector) - includes five filters	QT-AF-K1	\$52.00
Replacement auxiliary filter for use with QT-AF-K1 (kit of 10)	QT-SS-AF-K1	\$76.00
Vehicle attachment (compatible with single T-pattern or 4-hole AMPS mounting system)	QT-VMB-1	\$33.00
Neck strap with safety release	GA-NS-1	\$25.00
Short strap (15.2 cm (6 in))	GA-LY-1	\$17.00
Extension strap (1.2 m (4 ft))	GA-ES-1	\$60.00
Chest harness	GA-CH-2	\$102.00

Sampling & Testing Equipment	Order Number	Price (USD)
Manual aspirator pump	QT-AS01	\$119.00
Sample probe with hydrophobic and particulate filters	GA-PROB1-1	\$56.00
Filter and gasket replacements for sample probe (GA-PROB1-1)	GA-PROB-FIL-K1	\$33.00
Replacement particulate filter for GA-PROB1-1 (kit of 5)	PROBE-FIL-1	\$25.00
Metallic sintered particulate filter	GA-MFILTER	\$35.00
Sampling float	GA-FLOAT	\$118.00
Replacement test cap and hose	QT-TC-1	\$16.00

Note: For complete list of Sampling & Testing Equipment, see the Sampling Equipment section on pages 65-66.



Confined Space Kit
QT-XWHM-R-Y-NA-CS
Order pump separately.



Concussion-Proof Boot
GA-BQT



Carrying Holster
GA-HQT



Auxiliary filter
QT-AF-K1
Protects LCD and includes five filters.

GasAlertQuattro Multi-Gas (1-4) Detector (continued)

Power Accessories	Order Number	Price (USD)
Rechargeable battery pack, yellow	QT-BAT-R01	\$141.00
Rechargeable battery pack, black	QT-BAT-R01B	\$141.00
Alkaline battery pack with batteries, yellow	QT-BAT-A01	\$76.00
Alkaline battery pack with batteries, black	QT-BAT-A01B	\$76.00
Multi-unit (5) cradle charger	QT-C01-MC5	\$367.00
Multi-unit (5) wall outlet power adaptor	GA-PA-1-MC5-NA*	\$155.00
12 Vdc to 24 Vdc vehicle power adaptor	GA-VPA-1	\$52.00
12 Vdc to 24 Vdc direct-wire power adaptor	GA-PA-3	\$64.00
Replacement wall outlet power adaptor	GA-PA-1-NA*	\$26.00

*For regions outside North America replace "-NA" with: "-EU" for Europe, "-UK" for United Kingdom and "-AU" for Australia/China.

Datalogging Accessories	Order Number	Price (USD)
IR connectivity kit for Safety Suite	GA-USB1-IR	\$125.00



Rechargeable / Alkaline Battery Packs
QT-BAT-R01 / QT-BAT-A01



Vehicle Power Adaptor, 12 Vdc to 24 Vdc
GA-VPA-1



Multi-Unit Cradle Charger
QT-C01-MC5
Simultaneously charge five detectors and/or batteries



Direct-Wire Power Adaptor, 12 Vdc to 24 Vdc
GA-PA-3
Used for emergency vehicles and other applications



Multi-Unit Power Adaptor
GA-PA-1-MC5-NA*
Simultaneously charge five detectors and/or batteries



IR Connectivity Kit
GA-USB1-IR
Use for data download and instrument set-up options



Vehicle attachment
QT-VMB-1
Compatible with single T-pattern or 4-hole AMPS mounting system (not included)

GasAlertQuattro Multi-Gas (1–4) Detector (continued)

MicroDock II	Order Number	Price (USD)
MicroDock II Automated Calibration and Testing Station:		
- Base station and GasAlertQuattro docking module with charging cable	DOCK2-2-1C1N-00-G	\$2,184.00
- Base station and GasAlertQuattro docking module without charging cable	DOCK2-2-1N-00-G	\$2,112.00
- GasAlertQuattro docking module with charging cable	DOCK2-0-1C1N-00-G	\$763.00
- GasAlertQuattro docking module without charging cable	DOCK2-0-1N-00-G	\$691.00

Replacement Sensor Screens	Order Number	Price (USD)
Replacement quad sensor screen (kit of 2)	QT-SS	\$25.00
Replacement quad sensor screen (kit of 10)	QT-SS-K1	\$119.00

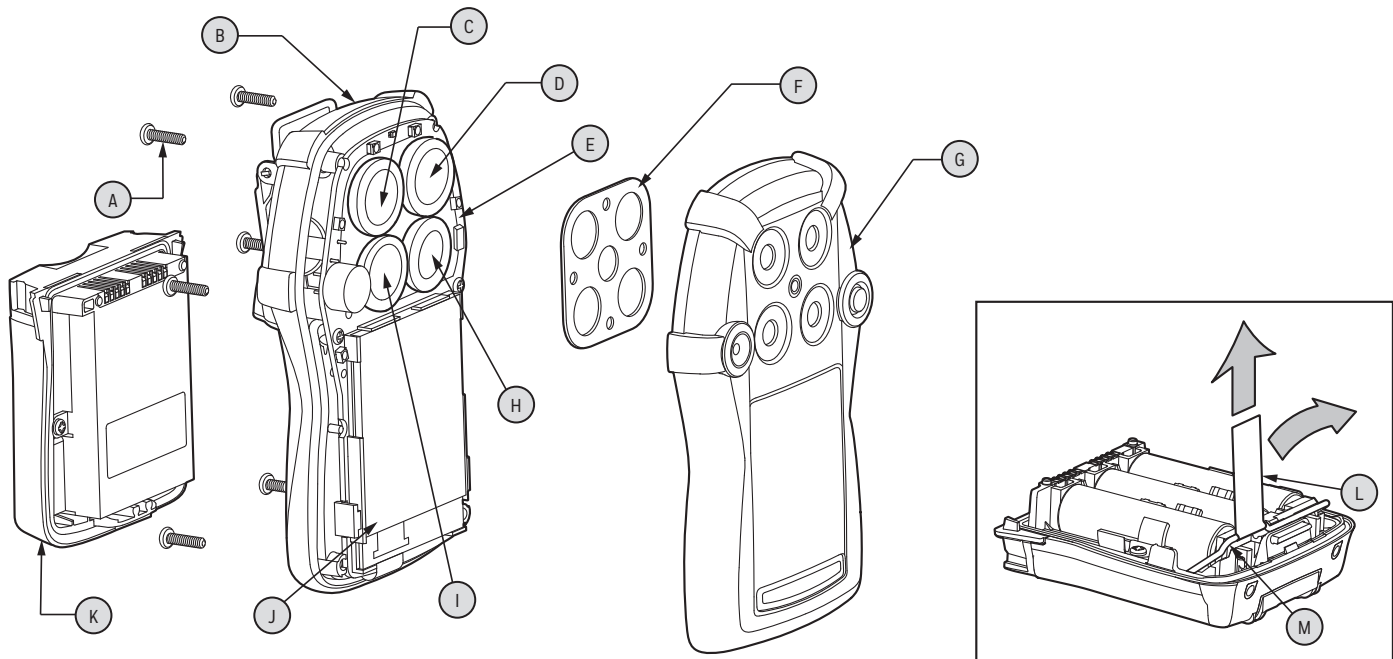
Replacement Sensors	Order Number	Price (USD)
Replacement combustible (%LEL) sensor (unfiltered) ¹	SR-W04-75	\$229.00
Replacement combustible (%LEL) sensor ¹	SR-W04-75C	\$231.00
Replacement oxygen (O ₂) sensor	SR-X2V	\$224.00
Replacement hydrogen sulfide (H ₂ S) sensor	SR-H04-SC	\$201.00
Replacement carbon monoxide (CO) sensor	SR-M04-SC	\$305.00
Dummy sensor for one oxygen (O ₂), hydrogen sulfide (H ₂ S) or carbon monoxide (CO) location	SR-DUMM1	\$24.00
Dummy sensor for the combustible (LEL) location	SR-DUMM2	\$24.00

¹Advisory: Detectors are equipped on a standard basis with SR-W04-75C combustible sensors. This sensor includes a heavy-duty silicone filter that make it ideal for use in environments that have known sources of silicone or vapors containing silicon. The SR-W04-75C silicone filter equipped sensor should not be used when monitoring diesel, kerosene, jet fuel or other heavy hydrocarbon vapors with flashpoint temperatures above 38° C (100° F). For more information on filtered and unfiltered LEL sensors, please see page 108.

Calibration & Testing Equipment	Order Number	Price (USD)
Quad-gas: CH ₄ (2.5%), O ₂ (18%), H ₂ S (25 ppm), CO (100 ppm), 34 L, balance N ₂ (requires REG-DF-1 or REG-0.5)	CG-Q34-4	\$244.00
Quad-gas: CH ₄ (2.5%), O ₂ (18%), H ₂ S (25 ppm), CO (100 ppm), 58 L, balance N ₂ (requires REG-DF-1 or REG-0.5)	CG-Q58-4	\$299.00
Demand flow regulator (for use with MicroDock II)	REG-DF-1	\$511.00
Calibration gas regulator (0.5 LPM)	REG-0.5	\$228.00
Calibration hose, Tygon (0.3 m (1 ft), 1/8 in I.D., 1/4 in O.D.)	C2-HOSE1-1	\$10.00
Wall mount (adjustable) for 34 L, 58 L or 103 L gas cylinders, red	MK-CG2-58	\$129.00

For a full list of calibration and testing equipment, please see pages 103-104.

GasAlertQuattro Multi-Gas (1-4) Detector (continued)



Legend	Service Parts	Order Number	Price (USD)
A	Replacement screw kit (kit of 40 screws)	QT-SCREW-K1	\$17.00
B	Replacement back enclosure (yellow) with screws	QT-BC1	\$42.00
	Replacement back enclosure (black) with screws	QT-BC1B	\$42.00
C, D	Replacement sensors, see page 35		
E	Replacement main PCB and sensor PCB kit	QT-PCB-K1	\$370.00
F	Replacement sensor screens, see page 35		
G	Replacement front enclosure (yellow)	QT-FC1	\$42.00
	Replacement front enclosure (black)	QT-FC1B	\$42.00
H, I	Replacement sensors, see page 35		
J	Replacement LCD kit	QT-LCD-K1	\$48.00
K	Replacement battery pack, see page 34		
	Replacement vibration motor	GA-VM-2	\$26.00
	Replacement alligator-style clip (stainless steel with screw)	XT-AG-1	\$42.00

How to Replace a Sensor

1. With detector OFF, remove battery pack from back of instrument
2. Use No. 1 Phillips screwdriver to remove 6 screws from back enclosure (B)
3. Lift front enclosure (G) straight up
4. Remove sensor (C, D, H, I) from PCB (E) by pulling straight up
5. Insert new sensor (C, D, H, I) into socket
6. Replace front enclosure (G)
7. Replace 6 screws in back enclosure (B) and hand-tighten until firm

How to Replace the Sensor Screen

1. With detector OFF, remove battery pack from back of instrument
2. Use No. 1 Phillips screwdriver to remove 6 screws from back enclosure (B)
3. Lift front enclosure (G) straight up
4. Remove sensor screen (F) from front enclosure (G) by pulling straight up
5. Insert new sensor screen (F) into front enclosure (G)
6. Replace front enclosure (G)
7. Replace 6 screws in back enclosure (B) and hand-tighten until firm

How to Replace the Alkaline Batteries in the Battery Pack

1. With detector OFF, remove battery pack from back of instrument
2. On battery pack, pull on tab (L) until ejector bar (M) releases from the ejector bar holder
3. Pull ejector bar (M) straight up (on side opposite of tab) until batteries dislocate from battery pack
4. Insert new batteries, one by one, inserting positive (+) end first
5. Important: push the ejector bar (M) into the lever holder until fully secured*
6. Insert battery pack into detector

*Failure to perform step 5 properly could result in damage to the batteries, battery pack and/or detector

Note: Please refer to the instrument's documentation (shipped with the product or available at www.sps.honeywell.com) for complete instructions on common service procedures. Improper servicing or maintenance may affect warranty eligibility. Honeywell assumes no liability for damages resulting from improper servicing or maintenance.



IntelliFlash

H₂S Hydrogen Sulfide

O₂ Oxygen

CO Carbon Monoxide

LEL Combustible Gases

Honeywell BW™ Max XT II

Multi-Gas (1–4) Detector

Go the distance and save

Honeywell BW™ Max XT II is the smart, simple, economical way to compliance. Workers feel safe and incidents are minimized so everyone will be able to do more. That means savings realized from business continuity and productivity.

Simple operation, with SmartSample pump.

Honeywell BW™ Max XT II reliably monitors up to four hazards and combines straightforward one-button operation, a robust, motorized pump for remote sampling and now features IntelliFlash, the flashing LED compliance indicator that tells you at-a-glance your gas detector is functioning correctly. The Honeywell BW™ Max XT II is fully compatible with IntelliDoX® automated test and calibration system.

Standard Package Contents

- Detector complete with specified sensor(s), stainless steel alligator clip and concussion-proof housing
- Rechargeable battery
- Wall outlet charging adaptor
- 1 m (3 ft) calibration hose with quick connect
- 3 m (10 ft) sampling hose with particulate filter and quick connect
- Reversible screwdriver
- Kit of spare pump filters (5 particulate and 5 hydrophobic)
- Manual

GENERAL SPECIFICATIONS

SIZE	13.1 cm x 7.0 cm x 5.2 cm (5.1 in x 2.8 in x 2.0 in)
WEIGHT	328 g (11.5 oz)
TYPICAL BATTERY LIFE	13 hours at 0° C (32° F) 8 hours at -20° C (-4° F) Recharges in 6 hours
CERTIFICATIONS AND APPROVALS	CE: Class I, Div. 1, Gr. A, B, C, D IECEX: Ga Ex ia IIC T4 ATEX: CE Ex II 1 G Ga Ex ia IIC T4 INMETRO: BR-Ex ia IIC T4
WARRANTY	Full two year warranty including all sensors

6570-0

Honeywell BW™ Max XT II Multi-Gas (1–4) Detector (continued)

Honeywell BW™ Max XT II	Gases	Order Number	Price (USD)
4-Gas Detector, yellow housing	%LEL, O ₂ , H ₂ S, CO	XT-XWHM-Y-NA	\$1,087.00
3-Gas Detector, yellow housing	%LEL, O ₂ , H ₂ S	XT-XWHO-Y-NA	\$1,065.00
3-Gas Detector, yellow housing	%LEL, O ₂ , CO	XT-XWOM-Y-NA	\$1,207.00
3-Gas Detector, yellow housing	O ₂ , H ₂ S, CO	XT-XOHM-Y-NA	\$1,065.00
2-Gas Detector, yellow housing	%LEL, O ₂	XT-XW00-Y-NA	\$1,011.00
2-Gas Detector, yellow housing	H ₂ S, CO	XT-00HM-Y-NA	\$1,011.00
2-Gas Detector, yellow housing	O ₂ , H ₂ S	XT-X0H0-Y-NA	\$1,011.00
2-Gas Detector, yellow housing	O ₂ , CO	XT-X00M-Y-NA	\$1,011.00
1-Gas Detector, yellow housing	O ₂	XT-X000-Y-NA	\$950.00
1-Gas Detector, yellow housing	H ₂ S	XT-00H0-Y-NA	\$950.00
1-Gas Detector, yellow housing	CO	XT-000M-Y-NA	\$950.00
4-Gas Detector, black housing	%LEL, O ₂ , H ₂ S, CO	XT-XWHM-B-NA	\$1,232.00
3-Gas Detector, black housing	%LEL, O ₂ , H ₂ S	XT-XWHO-B-NA	\$1,207.00
3-Gas Detector, black housing	%LEL, O ₂ , CO	XT-XWOM-B-NA	\$1,207.00
3-Gas Detector, black housing	O ₂ , H ₂ S, CO	XT-XOHM-B-NA	\$1,230.00
2-Gas Detector, black housing	%LEL, O ₂	XT-XW00-B-NA	\$1,145.00
2-Gas Detector, black housing	H ₂ S, CO	XT-00HM-B-NA	\$1,145.00
2-Gas Detector, black housing	O ₂ , H ₂ S	XT-X0H0-B-NA	\$1,166.00
2-Gas Detector, black housing	O ₂ , CO	XT-X00M-B-NA	\$1,145.00
1-Gas Detector, black housing	O ₂	XT-X000-B-NA	\$1,077.00
1-Gas Detector, black housing	H ₂ S	XT-00H0-B-NA	\$1,077.00
1-Gas Detector, black housing	CO	XT-000M-B-NA	\$1,098.00

Note: For Honeywell BW™ Max XT II equipped with an unfiltered combustible (LEL) gas sensor, replace order number component 'W' with 'U' (e.g. XT-XUHM-Y-NA). For a full list of available configurations, refer to the Full Product Index on pages 93–94. For more information on filtered and unfiltered LEL sensors, please see page 108.

Honeywell BW™ Max XT II Region Codes			
For orders outside North America, change order number component “-NA” to:			
“-EU”	Europe	“-BR”	Brazil
“-UK”	United Kingdom	“-OR”	Other region with 3-pin UK plug
“-AU”	Australia	“-OE”	Other region with 2-pin UK plug
“-CN”	China/New Zealand		

Service Made Simple: Pricing is available on the partner portal (www.sps.honeywell.com/partners/safety) for Platinum and Gold Service Contracts, Rental Contracts and On Demand Repair and/or Calibration services. You can learn more about Service Made Simple on the partner portal or by contacting your local Honeywell sales representative.



Honeywell IntelliDoX®
Automatic instrument management system (see Honeywell IntelliDoX® section for additional information).



IR Connectivity Kit
GA-USB1-IR
Use for data download and instrument set-up options



Auxiliary Pump Filter
M5-AF-K2 / M5-AF-K2-100
For high dust environments, available in kits of 5 or 100



Vehicle Power Adaptor, 12 Vdc to 24 Vdc
GA-VPA-1

Honeywell BW™ Max XT II Multi-Gas (1–4) Detector (continued)

Confined Space Kits	Order Number	Price (USD)
Honeywell BW™ Max XT II Premium Confined Space Kit - includes Honeywell BW™ Max XT II detector (%LEL, O ₂ , H ₂ S, CO) and standard package contents, plus wall charging adaptor, IR Connectivity Kit for Safety Suite, sampling probe, hydrophobic (5) and particulate (5) pump filters, 3 m (10 ft) sampling hose, 34 L calibration gas cylinder (2.5% CH ₄ , 18% O ₂ , 25 ppm H ₂ S, 100 ppm CO), 0.5 LPM regulator and carrying case with foam insert.	XT-XWHM-Y-NA-CS	\$1,526.00
Honeywell BW™ Max XT II Deluxe Confined Space Kit - includes IR Connectivity Kit for Safety Suite, sampling probe, 3 m (10 ft) sampling hose, 1 m (3 ft) hose, concussion-proof boot, carrying holster, 0.5 LPM regulator and carrying case with foam insert. <i>Detector and calibration gas sold separately.</i>	XT-CK-DL	\$714.00
Carrying case for Honeywell BW™ Max XT II with foam insert <i>Detector and calibration gas sold separately.</i>	XT-CK-CC	\$225.00

Carrying & Protective Accessories	Order Number	Price (USD)
Concussion-proof boot with stainless steel alligator-style clip	GA-BXT	\$52.00
Carrying holster for Honeywell BW™ Max XT II and sampling hose	GA-HXT	\$32.00
Neck strap with safety release	GA-NS-1	\$25.00
Extension strap (1.2 m (4 ft))	GA-ES-1	\$60.00
Short strap (15.2 cm (6 in))	GA-LY-1	\$17.00
Chest harness	GA-CH-2	\$102.00

Sampling/Testing Equipment and Spares	Order Number	Price (USD)
Auxiliary pump filter (kit of 5)	M5-AF-K2	\$52.00
Auxiliary pump filter (kit of 100)	M5-AF-K2-100	\$644.00
Hydrophobic pump filter (thin) replacement (kit of 5)	XT-RF-H5	\$25.00
Hydrophobic pump filter (thin) replacement (kit of 50)	XT-RF-H50	\$133.00
Hydrophobic pump filter (thin) replacement (kit of 100)	XT-RF-H100	\$222.00
Particulate pump filter (thick) replacement (kit of 5)	GA-PFMAX	\$25.00
Particulate pump filter (thick) replacement (kit of 50)	GA-PFMAX-50	\$72.00
Particulate pump filter (thick) replacement (kit of 100)	GA-PFMAX-100	\$121.00
Quick connect fitting spares for hoses (kit of 2)	M0931K	\$57.00

Note: For complete list of Sampling & Testing Equipment, see the Sampling Equipment section on pages 65-66.



Multi-Unit Cradle Charger
XT-C01-MC5
Simultaneously charge five detectors



Multi-Unit Power Adaptor
GA-PA-1-MC5-NA
Simultaneously charge five detectors



Carrying Holster
GA-HXT
Sampling Probe
GA-PROB1-1



Confined Space Kit
XT-XWHM-Y-NA-CS



Honeywell BW™ Connect
BW-CONNECT
Quickly adapt your gas detector into a wireless gas monitoring device



Quick Connect Fitting
M0931K
Quick connect fitting for hoses, kit of two
Hydrophobic Pump Filter (Thin)
XT-RF-H5 / XT-RF-H50 / XT-RF-H100
Particulate Pump Filter (Thick)
GA-PFMAX / GA-PFMAX-50 / GA-PFMAX-100
Both are available in kits of 5, 50 or 100

Honeywell BW™ Max XT II Multi-Gas (1-4) Detector (continued)

Power Accessories	Order Number	Price (USD)
Multi-unit (5) cradle charger	XT-C01-MC5	\$369.00
Multi-unit (5) wall outlet power adaptor	GA-PA-1-MC5-NA*	\$155.00
12 Vdc to 24 Vdc vehicle power adaptor	GA-VPA-1	\$52.00
12 Vdc to 24 Vdc direct-wire power adaptor	GA-PA-3	\$64.00
Replacement wall outlet power adaptor	GA-PA-1-NA*	\$26.00

*For regions outside North America replace “-NA” with: “-EU” for Europe, “-UK” for United Kingdom and “-AU” for Australia/China.

Wireless Connectivity	Order Number	Price (USD)
Honeywell BW™ Connect wireless adapter	BW-CONNECT	\$73.00

For information on wireless connectivity offerings, please refer to the Connected Worker Solutions section on page 71.

Datalogging Accessories	Order Number	Price (USD)
IR connectivity kit for Safety Suite	GA-USB1-IR	\$125.00

MicroDock II	Order Number	Price (USD)
MicroDock II Automated Calibration and Testing Station:		
- base station and Honeywell BW™ Max XT II docking module with charging cable	DOCK2-2-1C1M-00-G	\$2,208.00
- base station and Honeywell BW™ Max XT II docking module without charging cable	DOCK2-2-1M-00-G	\$2,136.00
- Honeywell BW™ Max XT II docking module with charging cable	DOCK2-0-1C1M-00-G	\$787.00
- Honeywell BW™ Max XT II docking module without charging cable	DOCK2-0-1M-00-G	\$715.00

Note: Honeywell BW™ Max XT II modules are backwards compatible with legacy Honeywell BW™ Max XT models.

For complete MicroDock II system configuration information, see MicroDock II section.

Honeywell IntelliDoX® Docking System	Order Number	Price (USD)
Honeywell IntelliDoX® docking station for Honeywell BW™ Max XT II	DX-MAXXT	\$2,616.00
Honeywell IntelliDoX® enabler kit, NA version (North America) Includes power supply with region-specific AC power cord, ethernet cable, inlet (purge) filter assembly, 1 m (3 ft) calibration gas tubing, 1 m (3 ft) purge gas tubing, 4.5 m (15 ft) exhaust tubing and quick connect fittings.	DX-ENBL-NA	\$299.00

Note: One Honeywell IntelliDoX® enabler kit is required for each docking system. Each docking system can support up to five Honeywell IntelliDoX® modules.

For a complete list of Honeywell IntelliDoX® parts, please refer to the Honeywell IntelliDoX® Docking System section on pages 67-70

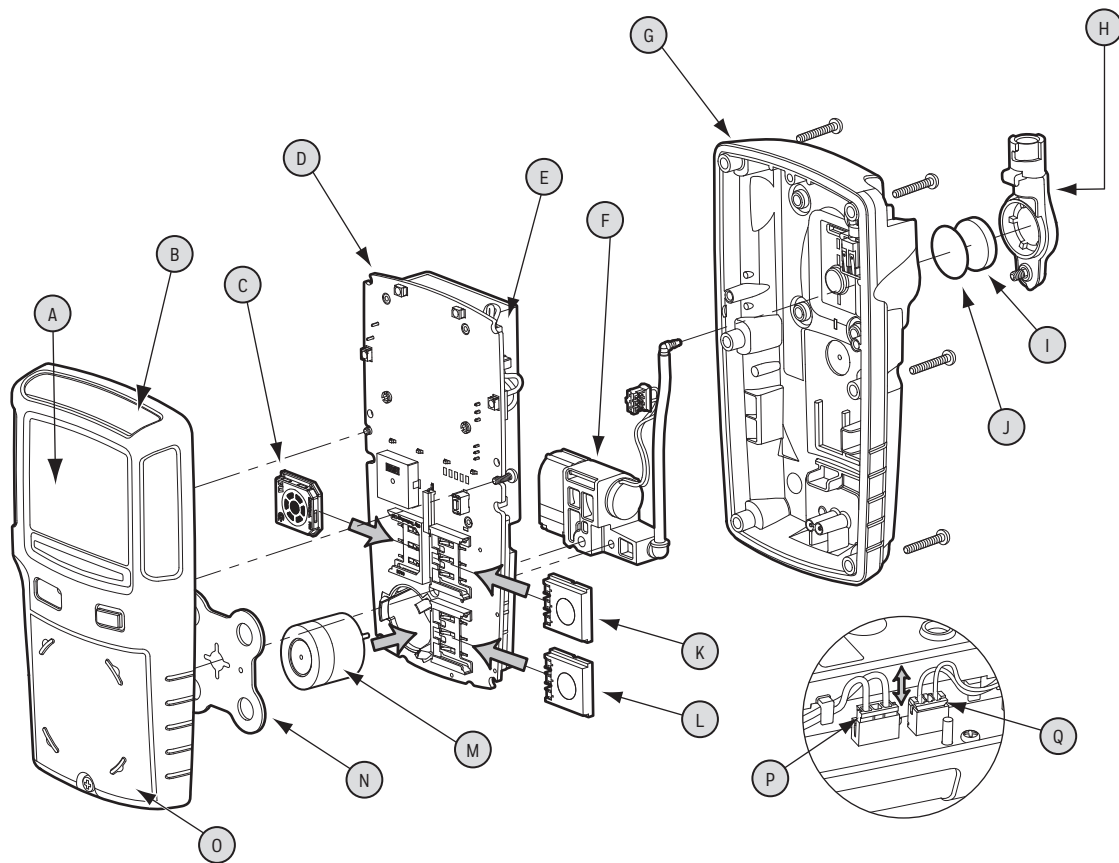
Replacement Sensor Screens	Order Number	Price (USD)
Replacement quad sensor screens for Honeywell BW™ Max XT II (kit of 2)	XT-SS-1	\$35.00
Replacement quad sensor screens For Honeywell BW™ Max XT II (kit of 10)	XT-SS-K2	\$156.00

Replacement Sensors	Order Number	Price (USD)
Replacement MICROpeL® combustible (LEL) sensor (unfiltered) [†]	SR-W-MP75	\$171.00
Replacement MICROpeL® combustible (LEL) sensor [†]	SR-W-MP75C	\$164.00
Replacement oxygen (O ₂) sensor	SR-X2V	\$224.00
Replacement MICROceL® hydrogen sulfide (H ₂ S) sensor	SR-H-MC	\$145.00
Replacement MICROceL® carbon monoxide (CO) sensor	SR-M-MC	\$164.00
Dummy sensor for combustible (LEL) sensor location	SR-W-MC-DUM	\$24.00
Dummy sensor for oxygen (O ₂) sensor location	SR-DUMM1	\$24.00
Dummy sensor for toxic sensor locations	SR-TOX-MC-DUM	\$24.00

[†]Advisory: Detectors are equipped on a standard basis with SR-W-MP75C combustible sensors. This sensor includes a heavy-duty silicone filter that make it ideal for use in environments that have known sources of silicone or vapors containing silicon. The SR-W-MP75C silicone filter equipped sensor should not be used when monitoring diesel, kerosene, jet fuel or other heavy hydrocarbon vapors with flashpoint temperatures above 38° C (100° F). For more information on filtered and unfiltered LEL sensors, please see page 108.

Calibration & Testing Equipment	Order Number	Price (USD)
Quad-gas: CH ₄ (2.5%), O ₂ (18%), H ₂ S (25 ppm), CO (100 ppm), 34 L, balance N ₂ (requires REG-DF-1 or REG-0.5)	CG-Q34-4	\$244.00
Quad-gas: CH ₄ (2.5%), O ₂ (18%), H ₂ S (25 ppm), CO (100 ppm), 58 L, balance N ₂ (requires REG-DF-1 or 0.5)	CG-Q58-4	\$299.00
Demand flow regulator	REG-DF-1	\$511.00
Calibration hose, Tygon (0.3 m (1 ft), 1/8 in I.D., 1/4 in O.D.)	C2-HOSE1-1	\$10.00
Wall mount (adjustable) for 34 L, 58 L or 103 L gas cylinders, red	MK-CG2-58	\$129.00

For a full list of calibration and testing equipment, please see pages 103-104.



How to Replace the Battery

1. With detector OFF, use No. 1 Phillips screwdriver to loosen retaining screw on pump enclosure (H)
2. Lift pump enclosure (H) so it unhooks from back enclosure (G)
3. Use No. 1 Phillips screwdriver to remove 6 screws from back enclosure (G)
4. Lift back enclosure (G) straight up
5. Lift battery (E) straight up, un-thread wires and disconnect battery wires from the battery connector (P)
6. Connect new battery wires (P), re-thread wires and place new battery on PCB (D)
7. Replace back enclosure (G)
8. Replace 6 screws in back enclosure (G) and hand-tighten until firm
9. Replace pump enclosure (H) and hand-tighten retaining screw until firm

How to Replace the Pump Module

1. With detector OFF, use No. 1 Phillips screwdriver to loosen retaining screw on pump enclosure (H)
2. Lift pump enclosure (H) so it unhooks from back enclosure (G)
3. Use No. 1 Phillips screwdriver to remove 6 screws from back enclosure (G)
4. Lift back enclosure (G) straight up
5. Lift battery straight up and un-thread pump module (F) wires
6. Disconnect hose with connector from the black housing of the pump module (F)
7. Lift pump module (F) straight up and disconnect pump module (F) wires from the pump connector (Q)
8. Connect new pump module wires (Q), re-thread wires and place new pump module (F) on PCB (D)
9. Reconnect hose with connector to the black housing of the pump module (F)
10. Return battery to PCB (D) and replace back enclosure (G)
11. Replace 6 screws in the back enclosure (G) and hand-tighten until firm
12. Replace pump enclosure (H) and hand-tighten retaining screw until firm

Note: Please refer to the instrument's documentation (shipped with the product or available at www.sps.honeywell.com) for complete instructions on common service procedures. Improper servicing or maintenance may affect warranty eligibility. Honeywell assumes no liability for damages resulting from improper servicing or maintenance.

Honeywell BW™ Max XT II Multi-Gas (1–4) Detector (continued)

Legend	Service Parts	Order Number	Price (USD)
A	Replacement LCD kit for Honeywell BW™ Max XT II	XT-LCD-K1	\$79.00
B	Replacement front enclosure (yellow) for Honeywell BW™ Max XT II	XT-FC1-1	\$79.00
	Replacement front enclosure (black) for Honeywell BW™ Max XT II	XT-FC1B-1	\$83.00
C	Replacement combustible sensor, see page 40		
D	Replacement main PCB with screws for Honeywell BW™ Max XT II	XT-MPCB2	\$482.00
F	Replacement pump kit for Honeywell BW™ Max XT II	XT-RPUMP-K1	\$261.00
G	Replacement back enclosure (yellow) with screws for Honeywell BW™ Max XT II	XT-BC1	\$79.00
	Replacement back enclosure (black) with screws for Honeywell BW™ Max XT II	XT-BC1B	\$83.00
H	Replacement pump enclosure (yellow) with screw for Honeywell BW™ Max XT II	XT-PC1	\$42.00
	Replacement pump enclosure (black) with screw for Honeywell BW™ Max XT II	XT-PC1B	\$43.00
I	Replacement particulate pump filter (thick), see page 39		
J	Replacement hydrophobic pump filter (thin), see page 39		
K, L, M	Replacement toxic and oxygen sensors, see page 40		
N	Replacement sensor screen, see page 40		
O	Replacement sensor enclosure with screw (yellow) with screw for Honeywell BW™ Max XT II	XT-SC1	\$42.00
	Replacement sensor enclosure with screw (black) with screw for Honeywell BW™ Max XT II	XT-SC1B	\$43.00
	Replacement alligator clip with screw for Honeywell BW™ Max XT II	XT-AG-1	\$42.00
	Replacement screw kit for Honeywell BW™ Max XT II	XT-SCREW-K1	\$26.00
	Replacement vibration motor	GA-VM-2	\$26.00
	Replacement rubber seal for Honeywell BW™ Max XT II docking module inlet slider	XT-RSD-10	\$42.00

How to Replace a Sensor

1. With detector OFF, use No. 1 Phillips screwdriver to loosen retaining screw on pump enclosure (H)
2. Lift pump enclosure (H) so it unhooks from back enclosure (G)
3. Use No. 1 Phillips screwdriver to remove 6 screws from back enclosure (G)
4. Lift back enclosure (G) straight up
5. Use No. 1 Phillips screwdriver to remove 2 screws from back of PCB (D)
6. Lift PCB (D) together with battery and sensors straight up
7. Remove sensor (C, K, L) by sliding out or sensor (M) by pulling straight up from PCB (D)
8. Insert new sensor (C, K, L, M) into PCB (D)
9. Replace PCB (D) and 2 screws and hand-tighten until firm
10. Replace back enclosure (G)
11. Replace 6 screws in the back enclosure (G) and hand-tighten until firm
12. Replace pump enclosure (H) and hand-tighten retaining screw until firm

How to Replace the Sensor Screen

1. With detector OFF, use No. 1 Phillips screwdriver to loosen retaining screw on pump enclosure (H)
2. Lift pump enclosure (H) so it unhooks from back enclosure (G)
3. Use No. 1 Phillips screwdriver to remove 6 screws from back enclosure (G)
4. Lift back enclosure (G) straight up
5. Use No. 1 Phillips screwdriver to remove 2 screws from back of PCB (D)
6. Lift PCB (D) together with battery and sensors straight up
7. Remove sensor screen (N) from front enclosure (B) by pulling straight up
8. Insert new sensor screen (N) into front enclosure (B)
9. Replace PCB (D) and 2 screws and hand-tighten until firm
10. Replace back enclosure (G)
11. Replace 6 screws in the back enclosure (G) and hand-tighten until firm
12. Replace pump enclosure (H) and hand-tighten retaining screw until firm

Note: Please refer to the instrument's documentation (shipped with the product or available at www.sps.honeywell.com) for complete instructions on common service procedures. Improper servicing or maintenance may affect warranty eligibility. Honeywell assumes no liability for damages resulting from improper servicing or maintenance.



ARY HOLE
ERMA





GasAlertMicro 5 Series

Multi-Gas (1–5) Detectors

Protect yourself

Compact and lightweight, GasAlertMicro 5 Series portable gas detectors simultaneously monitor and display up to five potential atmospheric hazards. The GasAlertMicro 5 IR uses an NDIR sensor to monitor CO₂ levels. Adaptable to a variety of applications, GasAlertMicro 5 Series instruments have an extensive selection of user-settable field options. Use the passcode function to prevent unauthorized modifications of the instrument's settings. Compatible with BW's MicroDock II automatic test and calibration system, GasAlertMicro 5 Series instruments are unparalleled in their versatility, performance and overall value.

Standard Package Contents

- Detector complete with specified sensor(s), stainless steel alligator clip and concussion-proof housing
- Rechargeable battery pack or alkaline pack with three AA batteries
- Cradle charger and wall outlet charging adaptor (with rechargeable battery option)
- Screwdriver
- Calibration/test adaptor and hose
- Manual

CO ₂	Carbon Dioxide	PH ₃	Phosphine
LEL	Combustible Gases	NH ₃	Ammonia
H ₂ S	Hydrogen Sulfide	NO ₂	Nitrogen Dioxide
CO	Carbon Monoxide	HCN	Hydrogen Cyanide
O ₂	Oxygen	Cl ₂	Chlorine
SO ₂	Sulfur Dioxide	ClO ₂	Chlorine Dioxide
		O ₃	Ozone

GENERAL SPECIFICATIONS	
SIZE	14.5 cm x 7.4 cm x 3.8 cm (5.7 in x 2.9 in x 1.5 in)
WEIGHT	370 g (13.1 oz)
OPERATING TEMPERATURE	-20° C to 50° C (-4° F to 122° F)
TYPICAL BATTERY LIFE	20 hours (15 hours IR)* *Based on a 5-gas instrument in diffusion mode at 20° C (68° F)
CERTIFICATIONS AND APPROVALS	: Class I, Div. 1, Gr. A, B, C, D : American Bureau of Shipping (Toxic models) ATEX: CE II 1 G Ga Ex ia IIC T4* CE II 2 G (IR model only) Ex d ia IIC T4* IECEX: Ga Ex ia IIC T4* Ex d ia IIC T4* (IR model only)
	*Temperature codes may vary as a function of the batteries installed. Please see owner's manual for a complete listing of compatible batteries and codes.
	WARRANTY
	Full two-year warranty including sensors (one year Cl ₂ , HCN, NH ₃ , O ₃ and ClO ₂)

5612-15

GasAlertMicro 5 Series

Multi-Gas (1-5) Detectors (continued)

GasAlertMicro 5 Detector	Order Number	Price (USD)
%LEL, O ₂ , H ₂ S, CO, SO ₂ - rechargeable battery, yellow housing	M5-XWSY-R-D-D-Y-N-00	\$1,925.00
%LEL, O ₂ , H ₂ S, CO, NH ₃ - rechargeable battery, yellow housing	M5-XWAY-R-D-D-Y-N-00	\$2,052.00
%LEL, O ₂ , H ₂ S, CO, Cl ₂ - rechargeable battery, yellow housing	M5-XWCY-R-D-D-Y-N-00	\$1,925.00
%LEL, O ₂ , H ₂ S, CO - rechargeable battery, yellow housing	M5-XWOY-R-D-D-Y-N-00	\$1,548.00
%LEL, O ₂ , H ₂ S, CO, SO ₂ - rechargeable battery, black housing	M5-XWSY-R-D-D-B-N-00	\$1,925.00
%LEL, O ₂ , H ₂ S, CO, NH ₃ - rechargeable battery, black housing	M5-XWAY-R-D-D-B-N-00	\$2,052.00
%LEL, O ₂ , H ₂ S, CO, Cl ₂ - rechargeable battery, black housing	M5-XWCY-R-D-D-B-N-00	\$1,925.00
%LEL, O ₂ , H ₂ S, CO - rechargeable battery, black housing	M5-XWOY-R-D-D-B-N-00	\$1,548.00

Note: Listed above are commonly ordered instrument configurations. To create a custom GasAlertMicro 5 detector, use the configurator table on the next page or contact Honeywell for a copy of the electronic pricing and order number configurator. For GasAlertMicro 5 equipped with an unfiltered combustible (LEL) gas sensor, replace order number component 'W' with 'U' (e.g. M5-XUSY-R-D-D-Y-N-00). Filtered LEL sensors may not be suitable for detecting specific combustible gases, including some compounds found in the GasAlertMicro 5 correction factor library. For more information on filtered and unfiltered LEL sensors, please see page 108.

Note: GasAlertMicro 5 Series rechargeable products manufactured after January 1, 2017, no longer comply with California and Oregon CEC,400,2012,FS,002 regulation related to battery charging systems. As a result the rechargeable configurations of GasAlertMicro 5 Series detectors cannot be sold or shipped to the states of Oregon and California. Please contact your local Honeywell Analytics Office to know the availability of products manufactured prior to December 31, 2016, that could still be shipped to the states of California and Oregon or to identify alternative products.

GasAlertMicro 5 Region Codes			
For orders outside North America, change order number component "-N" to:			
"-E"	Europe	"-B"	Brazil
"-U"	United Kingdom	"-X"	Other region with 3-pin UK plug
"-A"	Australia	"-Y"	Other region with 2-pin UK plug
"-C"	China/New Zealand		

Service Made Simple: Pricing is available on the partner portal (www.sps.honeywell.com/partners/safety) for Platinum and Gold Service Contracts, Rental Contracts and On Demand Repair and/or Calibration services. You can learn more about Service Made Simple on the partner portal or by contacting your local Honeywell sales representative.

Gas Legend			
%LEL	Combustible (W)	ClO ₂	Chlorine dioxide (V)
O ₂	Oxygen (X)	NH ₃	Ammonia (A)
H ₂ S	Hydrogen sulfide (H)	PH ₃	Phosphine (P)
CO	Carbon monoxide (M)	HCN	Hydrogen cyanide (Z)
SO ₂	Sulfur dioxide (S)	NO ₂	Nitrogen dioxide (D)
Cl ₂	Chlorine (C)	O ₃	Ozone (G)

GasAlertMicro 5 Series Multi-Gas (1–5) Detectors (continued)

GasAlertMicro 5 Order Number and Pricing Configurator

▶ Sensor - Toxic 2			▶ Battery		
None (dummy sensor)	\$0.00	0	A	\$0.00	Alkaline
CO and H ₂ S (Duo-Tox dual channel)	\$358.00	Y	R	\$215.00	Rechargeable battery pack and cradle charger
H ₂ S (hydrogen sulfide)	\$273.00	H	▶ Sampling		
CO (carbon monoxide)	\$287.00	M	D	\$0.00	Diffusion
Cl ₂ (chlorine)	\$423.00	C	P	\$204	Motorized sampling pump
ClO ₂ (chlorine dioxide)	\$423.00	V	▶ Datalogging		
PH ₃ (phosphine)	\$423.00	P	D	Datalogging monitor	
HCN (hydrogen cyanide)	\$423.00	Z	▶ Housing		
NO ₂ (nitrogen dioxide)	\$423.00	D	Y	Yellow housing	
O ₃ (ozone)	\$695.00	G	B	Black housing	
▶ Sensor - Toxic 1			▶ Region		
None (dummy sensor)	\$0.00	0	N	North America	
H ₂ S (hydrogen sulfide)	\$273.00	H	E	Europe	
CO (carbon monoxide)	\$287.00	M	C	China/New Zealand	
SO ₂ (sulfur dioxide)*	\$423.00	S**	U	United Kingdom	
Cl ₂ (chlorine)	\$423.00	C	A	Australia	
ClO ₂ (chlorine dioxide)	\$423.00	V	B	Brazil	
NH ₃ (ammonia)*	\$566.00	A**	X	Other region with 3-pin UK plug	
PH ₃ (phosphine)	\$423.00	P	Y	Other region with 2-pin EU plug	
HCN (hydrogen cyanide)†	\$423.00	Z†			
NO ₂ (nitrogen dioxide)	\$423.00	D			
O ₃ (ozone)	\$695.00	G			
▶ Sensor - Combustible Gases					
None (dummy sensor)	\$0.00	0			
%LEL (combustibles)	\$221.00	W			
%LEL (combustibles), unfiltered	\$221.00	U*			
▶ Sensor - Oxygen					
None	\$0.00	0			
O ₂ (oxygen)	\$170.00	X			
▶ Base Unit					
Base unit	\$689.00	M5			

Order number:	M5						D				00			
Price (USD):	\$689	+		+		+	\$0	+	\$0	+	\$0	+	\$0	=

For example, the order number for a GasAlertMicro 5 configured for O₂, %LEL, Cl₂, H₂S and CO and equipped with a rechargeable battery pack and cradle charger, yellow housing, and North American power connectivity would be M5-XWCY-R-D-D-Y-N-00 and the price would be \$2,076.00.

*Note: Filtered LEL sensors may not be suitable for detecting specific combustible gases, including some compounds found in the GasAlertMicro 5 correction factor library. For more information on filtered and unfiltered LEL sensors, please see page 108.

**Note: Some gases (e.g. SO₂ and NH₃) cannot be combined in the same GasAlertMicro 5 configuration. Please check with Customer Service for specific availability.

†Note: HCN can only be ordered in the Toxic 1 location when the Duo-Tox (CO/H₂S) sensor is ordered in the Toxic 2 location. In all other configurations, HCN must be ordered in the Toxic 2 location.

Note: GasAlertMicro 5 Series rechargeable products manufactured after January 1, 2017, no longer comply with California and Oregon CEC,400,2012,FS,002 regulation related to battery charging systems. As a result the rechargeable configurations of GasAlertMicro 5 Series detectors cannot be sold or shipped to the states of Oregon and California. Please contact your local Honeywell Analytics Office to know the availability of products manufactured prior to December 31, 2016, that could still be shipped to the states of California and Oregon or to identify alternative products.

GasAlertMicro 5 Series Multi-Gas (1–5) Detectors (continued)

GasAlertMicro 5 IR Detector	Order Number	Price (USD)
CO ₂ (IR), %LEL, O ₂ , H ₂ S, CO - rechargeable battery, yellow housing	M5IR-XWBY-R-D-D-Y-N-00	\$2,743.00
CO ₂ (IR), %LEL, O ₂ , H ₂ S - rechargeable battery, yellow housing	M5IR-XWBH-R-D-D-Y-N-00	\$2,658.00
CO ₂ (IR), %LEL, O ₂ - rechargeable battery, yellow housing	M5IR-XWB0-R-D-D-Y-N-00	\$2,385.00
CO ₂ (IR) - rechargeable battery, yellow housing	M5IR-00B0-R-D-D-Y-N-00	\$1,994.00
CO ₂ (IR), %LEL, O ₂ , H ₂ S, CO - rechargeable battery, black housing	M5IR-XWBY-R-D-D-B-N-00	\$2,828.00
CO ₂ (IR), %LEL, O ₂ , H ₂ S - rechargeable battery, black housing	M5IR-XWBH-R-D-D-B-N-00	\$2,658.00
CO ₂ (IR), %LEL, O ₂ - rechargeable battery, black housing	M5IR-XWB0-R-D-D-B-N-00	\$2,385.00
CO ₂ (IR) - rechargeable battery, black housing	M5IR-00B0-R-D-D-B-N-00	\$1,994.00

Note: Listed above are commonly ordered instrument configurations. To create a custom GasAlertMicro 5 IR detector, use the configurator table on the next page or contact Honeywell for a copy of the electronic pricing and order number configurator. For GasAlertMicro 5 IR equipped with an unfiltered combustible (LEL) gas sensor, replace order number component 'W' with 'U' (e.g. M5IR-XUBY-R-D-D-Y-N-00). Filtered LEL sensors may not be suitable for detecting specific combustible gases, including some compounds found in the GasAlertMicro 5 correction factor library. For more information on filtered and unfiltered LEL sensors, please see page 108.

Note: GasAlertMicro 5 Series rechargeable products manufactured after January 1, 2017, no longer comply with California and Oregon CEC, 400, 2012, FS, 002 regulation related to battery charging systems. As a result the rechargeable configurations of GasAlertMicro 5 Series detectors cannot be sold or shipped to the states of Oregon and California. Please contact your local Honeywell Analytics Office to know the availability of products manufactured prior to December 31, 2016, that could still be shipped to the states of California and Oregon or to identify alternative products.

GasAlertMicro 5 Region Codes			
For orders outside North America, change order number component "-N" to:			
"-E"	Europe	"-B"	Brazil
"-U"	United Kingdom	"-X"	Other region with 3-pin UK plug
"-A"	Australia	"-Y"	Other region with 2-pin UK plug
"-C"	China/New Zealand		

Service Made Simple: Pricing is available on the partner portal (www.sps.honeywell.com/partners/safety) for Platinum and Gold Service Contracts, Rental Contracts and On Demand Repair and/or Calibration services. You can learn more about Service Made Simple on the partner portal or by contacting your local Honeywell sales representative.

Gas Legend			
%LEL	Combustible (W)	ClO ₂	Chlorine dioxide (V)
O ₂	Oxygen (X)	NH ₃	Ammonia (A)
H ₂ S	Hydrogen sulfide (H)	PH ₃	Phosphine (P)
CO	Carbon monoxide (M)	HCN	Hydrogen cyanide (Z)
SO ₂	Sulfur dioxide (S)	NO ₂	Nitrogen dioxide (D)
Cl ₂	Chlorine (C)	O ₃	Ozone (G)
CO ₂	Carbon dioxide (B)		

GasAlertMicro 5 Series Multi-Gas (1–5) Detectors (continued)

GasAlertMicro 5 IR Order Number and Pricing Configurator

▶ Sensor - Toxic 2			▶ Battery		
None (dummy sensor)	\$0.00	0	A	\$0.00	Alkaline
CO and H ₂ S (Duo-Tox dual channel)	\$358.00	Y	R	\$215.00	Rechargeable battery pack and cradle charger
H ₂ S (hydrogen sulfide)	\$273.00	H	▶ Sampling		
CO (carbon monoxide)	\$287.00	M	D	\$0.00	D iffusion
SO ₂ (sulfur dioxide)	\$423.00	S	P	\$204	Motorized sampling pump
NH ₃ (ammonia)	\$566.00	A	▶ Datalogging		
O ₃ (ozone)	\$695.00	G	D	Datalogging monitor	
▶ Sensor - Toxic 1			▶ Housing		
None (dummy sensor)	\$0.00	0	Y	Yellow housing	
IR (infrared) for CO ₂ (carbon dioxide)	\$1,078.00	B	B	Black housing	
▶ Sensor - Combustible Gases			▶ Region		
None (dummy sensor)	\$0.00	0	N	North America	
%LEL (combustibles)	\$221.00	W	E	Europe	
%LEL (combustibles), unfiltered	\$221.00	U*	C	China/New Zealand	
▶ Sensor - Oxygen			U	United Kingdom	
None	\$0.00	0	A	Australia	
O ₂ (oxygen)	\$170.00	X	B	Brazil	
▶ Base Unit			X	Other region with 3-pin UK plug	
Base unit	\$786.00	M5IR	Y	Other region with 2-pin EU plug	

Order number:	M5IR						D				00			
Price (USD):	\$786	+		+		+	\$0	+	\$0	+	\$0	+	\$0	=

For example, the order number for a GasAlertMicro 5 IR configured for O₂, %LEL, CO₂, H₂S and CO and equipped with a rechargeable battery pack and cradle charger, yellow housing, and North American power connectivity would be M5IR-XWBY-R-D-D-Y-N-00 and the price would be \$2,828.00.

*Note: Filtered LEL sensors may not be suitable for detecting specific combustible gases, including some compounds found in the GasAlertMicro 5 correction factor library. For more information on filtered and unfiltered LEL sensors, please see page 108.

**Note: Some gases cannot be combined in the same GasAlertMicro 5 configuration. Please check with Customer Service for specific availability.

Note: GasAlertMicro 5 Series rechargeable products manufactured after January 1, 2017, no longer comply with California and Oregon CEC,400,2012,FS,002 regulation related to battery charging systems. As a result the rechargeable configurations of GasAlertMicro 5 Series detectors cannot be sold or shipped to the states of Oregon and California. Please contact your local Honeywell Analytics Office to know the availability of products manufactured prior to December 31, 2016, that could still be shipped to the states of California and Oregon or to identify alternative products.

GasAlertMicro 5 Series Multi-Gas (1–5) Detectors (continued)

Confined Space Kits	Order Number	Price (USD)
GasAlertMicro 5 Series Deluxe Confined Space Kit - includes manual aspirator kit, sampling probe with holster, five spare auxiliary filters and three spare quick connect fittings, 3 m (10 ft) sampling hose, carrying holster, calibration cap, 1.0 LPM regulator and carrying case with foam insert. <i>Detector, calibration gas and motorized sampling pump sold separately.</i>	M5-CK-DL	\$515.00
Carrying case for GasAlertMicro 5 Series with foam and lid insert	M5-CK-CC	\$257.00

Carrying & Protective Accessories	Order Number	Price (USD)
Concussion-proof boot, diffusion units	GA-BM5-1	\$68.00
Carrying holster	GA-HM5	\$46.00
Neck strap with safety release	GA-NS-1	\$25.00
Short strap (15.2 cm (6 in))	GA-LY-1	\$17.00
Extension strap (1.2 m (4 ft))	GA-ES-1	\$60.00
Chest harness	GA-CH-2	\$102.00

Sampling & Testing Equipment	Order Number	Price (USD)
Manual aspirator pump kit with probe (0.3 m (1 ft))	GA-AS02	\$155.00
Test cap and hose (0.5 m (1.5 ft)) replacement	M5-TC-1	\$22.00

Note: For complete list of Sampling & Testing Equipment, see the Sampling Equipment section on pages 65-66.

Deluxe Confined Space Kit
M5-CK-DL



Concussion-Proof Boot
GA-BM5-1
For GasAlertMicro 5 Series diffusion units



Carrying Holster
GA-HM5
Fits securely on belt



Manual Aspirator Pump
GA-AS02
For remote sampling; complete with probe, hose and aspirator pump



Replacement Test Cap and Hose
M5-TC-1

GasAlertMicro 5 Series Multi-Gas (1–5) Detectors (continued)

Power Accessories	Order Number	Price (USD)
Alkaline battery pack, yellow*	M5-BAT0501	\$133.00
Alkaline battery pack, black*	M5-BAT0501B	\$137.00
Alkaline battery pack, European-style safety screws, yellow*	M5-BAT0502	\$127.00
Rechargeable battery pack, yellow*	M5-BAT08	\$222.00
Rechargeable battery pack, black*	M5-BAT08B	\$222.00
Cradle charger and rechargeable battery pack, yellow*	M5-C01-BAT08	\$382.00
Cradle charger and rechargeable battery pack, black*	M5-C01-BAT08B	\$382.00
Cradle charger for rechargeable battery packs	M5-C01	\$308.00
12 Vdc vehicle adaptor cable for use with cradle charger (M5-C01)	GA-V-CHRG4	\$33.00
Replacement power supply for chargers	POWER-UPS-01	\$115.00

*Note: Battery packs and chargers should be used with the new version GasAlertMicro 5 Series gas detectors (red circuit boards).

Note: GasAlertMicro 5 Series rechargeable products manufactured after January 1, 2017, no longer comply with California and Oregon CEC,400,2012,FS,002 regulation related to battery charging systems. As a result the rechargeable configurations of GasAlertMicro 5 Series detectors cannot be sold or shipped to the states of Oregon and California. Please contact your local Honeywell Analytics Office to know the availability of products manufactured prior to December 31, 2016, that could still be shipped to the states of California and Oregon or to identify alternative products.

Datalogging Accessories	Order Number	Price (USD)
Multimedia card	M5-MMC	\$65.00

MicroDock II	Order Number	Price (USD)
MicroDock II Automated Calibration and Testing Station:		
- Base station and GasAlertMicro 5 Series docking module (charging) with charging cable	DOCK2-2-1C1K-00-G	\$2,392.00
- Base station and GasAlertMicro 5 Series docking module (non-charging)	DOCK2-2-1J-00-G	\$2,181.00
- GasAlertMicro 5 Series docking module (charging), no charging cable	DOCK2-0-1K-00-G	\$899.00
- GasAlertMicro 5 Series docking module (non-charging)	DOCK2-0-1J-00-G	\$760.00

For a complete MicroDock II system configuration information, see MicroDock II section on pages 67-70.



Alkaline Battery Pack
M5-BAT0501/M5-BAT0501B
M5-BAT0502/M5-BAT0502B



Rechargeable Battery Pack
M5-BAT08/M5-BAT08B



Vehicle Adaptor, 12 Vdc
GA-V-CHRG4
Vehicle adaptor cable for use with cradle charger (M5-C01)



Cradle Charger Kit with Battery
M5-C01-BAT08 / M5-C01-BAT08B
Complete with charger and rechargeable battery pack



Cradle Charger
M5-C01
Cradle charger for rechargeable battery packs (can charge battery pack with or without detector attached)

GasAlertMicro 5 Series Multi-Gas (1-5) Detectors (continued)

Replacement Sensor Screens	Order Number	Price (USD)
Quad sensor screen filters (kit of 2)	M5-SS	\$35.00
Replacement Sensors	Order Number	Price (USD)
Replacement ammonia (NH ₃) sensor*	SR-A04	\$498.00
Replacement carbon dioxide (CO ₂) IR sensor	SR-B04	\$1,419.00
Replacement carbon monoxide (CO) sensor	SR-M04-SC	\$305.00
Replacement chlorine (Cl ₂) sensor*	PS-RC10	\$498.00
Replacement chlorine dioxide (ClO ₂) sensor*	SR-V04	\$534.00
Replacement combustible (%LEL) sensor with heavy-duty silicone filter ¹	SR-W04	\$243.00
Replacement combustible (%LEL) sensor without heavy-duty silicone filter ¹	SR-W04-UF	\$243.00
Replacement Duo-Tox sensor - carbon monoxide (CO) and hydrogen sulfide (H ₂ S)	D4-RHM04	\$521.00
Replacement hydrogen cyanide (HCN) sensor*	PS-RZ10	\$534.00
Replacement hydrogen sulfide (H ₂ S) sensor	PS-RH04S	\$322.00
Replacement nitrogen dioxide (NO ₂) sensor	PS-RD04	\$534.00
Replacement oxygen (O ₂) sensor	SR-X2V	\$224.00
Replacement ozone (O ₃) sensor*	SR-G04	\$747.00
Replacement phosphine (PH ₃) sensor	SR-P04	\$498.00
Replacement sulfur dioxide (SO ₂) sensor	PS-RS04	\$498.00
Replacement PID lamp, (10.6 eV) for PID sensor (SR-Q07)*	RL-PID10.6	\$381.00
Replacement electrode stacks for PID sensor (SR-Q07) (kit of 2)	M5PID-ES-1	\$49.00
Cleaning kit for PID sensor (includes Finger Cots, Q-Tips, Dry Optical Wipes and Alcohol Prep Wipes)	M5PID-CLN-K1	\$57.00
Dummy sensor for 3-pin O ₂ or 3-pin Duo-Tox locations	SR-DUMM1	\$24.00
Dummy sensor for combustible (LEL) location	SR-DUMM2	\$24.00
Dummy sensor for PID location	SR-DUMM3	\$24.00

Note: All sensors come with a 2-year warranty unless marked with an asterisk (*), denoting 1-year warranty.

¹Advisory: Detectors are equipped on a standard basis with SR-W04 combustible sensors. This sensor includes a heavy-duty silicone filter that make it ideal for use in environments that have known sources of silicone or vapors containing silicon. The SR-W04 silicone filter equipped sensor should not be used when monitoring diesel, kerosene, jet fuel or other heavy hydrocarbon vapors with flashpoint temperatures above 38° C (100° F). Filtered LEL sensors may not be suitable for detecting specific combustible gases, including some compounds found in the GasAlertMicro 5 correction factor library. For more information on filtered and unfiltered LEL sensors, please see page 108.



PID Cleaning Kit
M5PID-CLN-K1
For PID sensors



Replacement 10.6 eV PID Lamp
RL-PID10.6
For PID sensors



Replacement Electrode Stack
M5PID-ES-1
For PID sensors



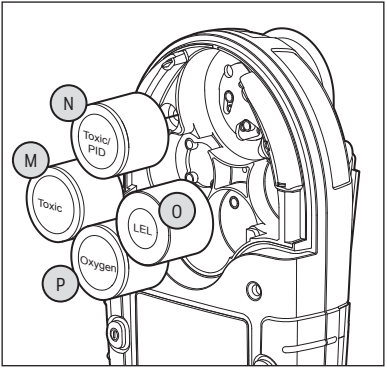
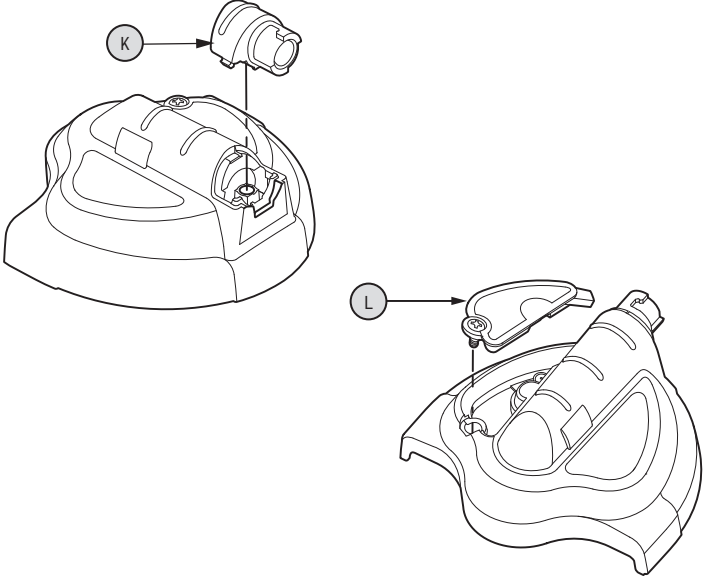
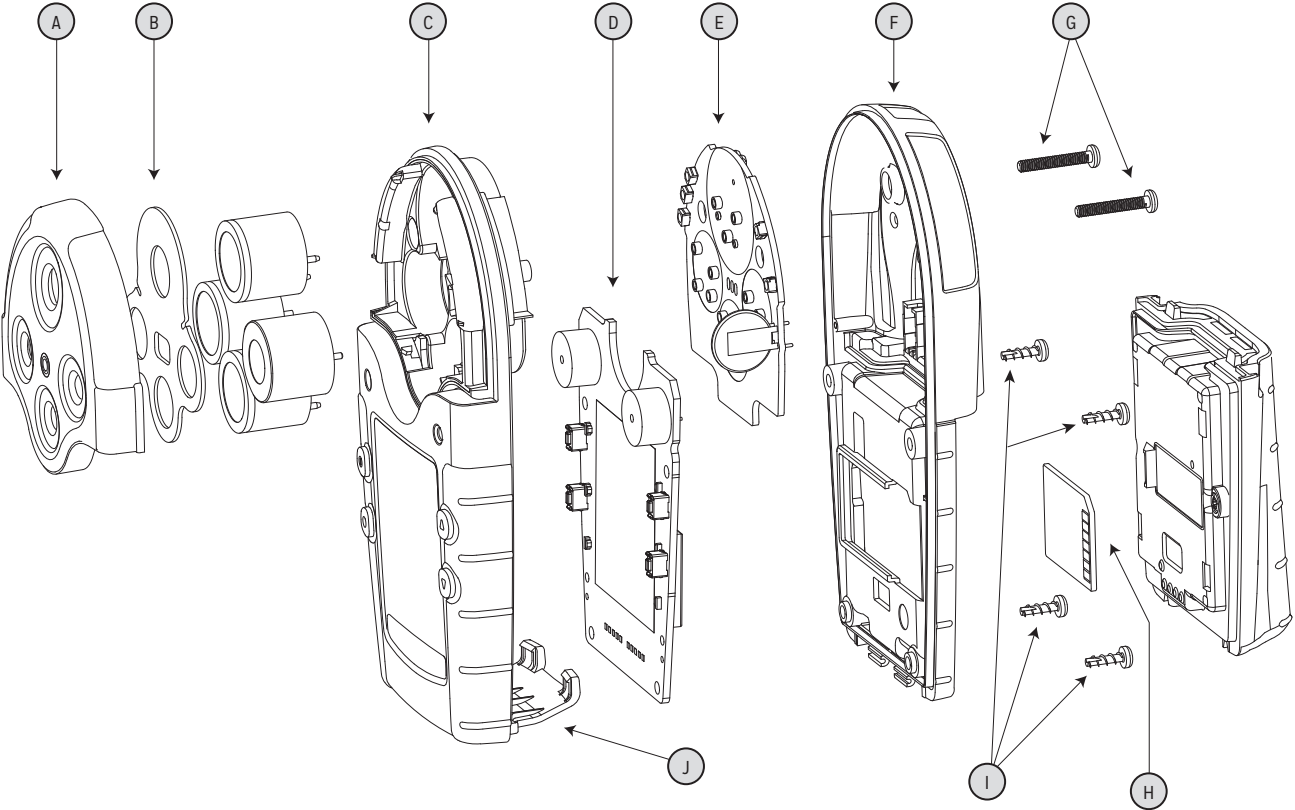
Replacement IR Sensor
SR-B04

GasAlertMicro 5 Series Multi-Gas (1–5) Detectors (continued)

Calibration & Testing Equipment	Order Number	Price (USD)
Quint-gas: CH ₄ (2.5%), O ₂ (18%), H ₂ S (25 ppm), CO (100 ppm), CO ₂ (0.5%), balance N ₂ , 34 L	CG-QT34-1	\$325.00
Quint-gas: CH ₄ (2.5%), O ₂ (18%), H ₂ S (25 ppm), CO (100 ppm), CO ₂ (0.5%), balance N ₂ , 58 L	CG-QT58-1	\$474.00
Quad-gas: CH ₄ (2.5%), O ₂ (18%), H ₂ S (25 ppm), CO (100 ppm), 34 L, balance N ₂ (requires REG-DF-1 or REG-0.5)	CG-Q34-4	\$244.00
Quad-gas: CH ₄ (2.5%), O ₂ (18%), H ₂ S (25 ppm), CO (100 ppm), 58 L, balance N ₂ (requires REG-DF-1 or REG-0.5)	CG-Q58-4	\$299.00
Ammonia (NH ₃ , 50 ppm), balance air, 34 L	CG2-A-50-34	\$374.00
Ammonia (NH ₃ , 50 ppm), balance N ₂ , 58 L	CG2-A-50-58	\$508.00
Carbon dioxide (CO ₂ , 1% Vol/10,000 ppm)	CG2-B-10K-34	\$258.00
Isobutylene (100 ppm), balance air, 34 L (aluminum cylinder)	CG2-IB-100-34AL	\$204.00
Isobutylene (100 ppm), balance air, 58 L (aluminum cylinder)	CG2-IB-100-58AL	\$238.00
Sulfur dioxide (SO ₂ , 10 ppm), balance N ₂ , 34 L	CG2-S-10-34	\$204.00
Sulfur dioxide (SO ₂ , 10 ppm), balance N ₂ , 58 L	CG2-S-10-58	\$251.00
Demand flow regulator - male fitting (for use with MicroDock II or motorized pump module)	REG-DF-1	\$511.00
Calibration gas regulator - male fitting	REG-0.5	\$228.00
Calibration gas regulator - male fitting	REG2-0.5	\$241.00
Calibration hose, Tygon (0.3 m (1 ft), 1/8 in I.D., 1/4 in O.D.)	C2-HOSE1-1	\$10.00
Wall mount (adjustable) for 34 L, 58 L or 103 L gas cylinders, red	MK-CG2-58	\$129.00

For a full list of calibration and testing equipment, please see pages 103-104.

GasAlertMicro 5 Series Multi-Gas (1-5) Detectors (continued)



Note: Please refer to the instrument's documentation (shipped with the product or available at www.sps.honeywell.com) for complete instructions on common service procedures. Improper servicing or maintenance may affect warranty eligibility. Honeywell assumes no liability for damages resulting from improper servicing or maintenance.

GasAlertMicro 5 Series Multi-Gas (1–5) Detectors (continued)

Legend	Service Parts	Order Number	Price (USD)
A	Replacement diffusion cover (yellow) for GasAlertMicro 5 Series	M5-DC-1	\$49.00
	Replacement diffusion cover (black) for GasAlertMicro 5 Series	M5-DCB-1	\$49.00
B	Replacement sensor screen, see page 51		
C	Replacement front enclosure (yellow) for GasAlertMicro 5 Series	M5-FC1	\$48.00
	Replacement front enclosure (black) for GasAlertMicro 5 Series	M5-FC1B	\$49.00
D	Replacement main PCB for GasAlertMicro 5 Series	M5-DL2-MPCB3	\$633.00
E	Replacement sensor PCB for GasAlertMicro 5	M5-SPCB3	\$370.00
	Replacement sensor PCB for GasAlertMicro 5 IR	M5IR-SPCB1	\$362.00
F	Replacement back enclosure (yellow) with screws for GasAlertMicro 5 Series	M5-BC1	\$49.00
	Replacement back enclosure (black) with screws for GasAlertMicro 5 Series	M5-BC1B	\$49.00
G	Back enclosure screws (included with F)		
H	Replacement multimedia card for GasAlertMicro 5 Series	M5-MMC	\$65.00
I	Replacement screw kit for GasAlertMicro 5 Series (includes Pump Cover Screws, PCB Screws, Housing Screws and Alkaline Battery Pack Screws)	M5-SCREW-K1	\$17.00
J	Replacement battery latch for GasAlertMicro 5 Series	M5-BL-1	\$16.00
K	Replacement nozzle for generation 2 GasAlertMicro 5 Series pump module (with filter window)	M5-PN-1	\$16.00
L	Auxiliary pump filter (kit of 100)	M5-AF-K2-100	\$644.00
	Auxiliary pump filter (kit of 5)	M5-AF-K2	\$52.00
M, N, O, P	Replacement sensors, see page 51		
	Replacement alligator-style clip with screw (stainless steel)	GA-AG-2	\$33.00
	Hose assembly with syringe filter	M5-QCONN-K1	\$25.00
	Replacement vibration motor	GA-VM-2	\$26.00

How to Replace a Sensor

1. With detector OFF, use No. 1 Phillips screwdriver to remove 2 screws (G) from back enclosure (F) on either side of the belt clip
2. Lift diffusion cover (A) or pump module straight up
3. Remove sensor (N-Q) by pulling straight up from PCB (E)
4. Insert new sensor (N-Q) into PCB (E)
5. Replace diffusion cover (A) or pump module
6. Replace 2 screws (G) in back enclosure (F) and hand-tighten until firm

How to Replace the Sensor Screen

1. With detector OFF, use No. 1 Phillips screwdriver to remove 2 screws (G) from back enclosure (F) on either side of the belt clip
2. Lift diffusion cover (A) or pump module straight up
3. Remove sensor screen (B) by pulling it straight up from diffusion cover (A) or pump module
4. Insert sensor screen (B) into diffusion cover (A) or pump module
5. Replace diffusion cover (A) or pump module
6. Replace 2 screws (G) in back enclosure (F) and hand-tighten until firm

Note: Please refer to the instrument's documentation (shipped with the product or available at www.sps.honeywell.com) for complete instructions on common service procedures. Improper servicing or maintenance may affect warranty eligibility. Honeywell assumes no liability for damages resulting from improper servicing or maintenance.



Honeywell BW™ Ultra

Multi-Gas Detector

Portable Multi-Gas Detector

At Honeywell, we always put your safety where it should be – first. With Honeywell BW™ Ultra, our new portable five-gas detector, you will be able to do the same for your workers. Designed specifically for sampling and monitoring confined spaces, before and after entry, Honeywell BW™ Ultra has enhanced sensor technology, visibility on gas readings, comfort and connectivity. This makes it the most reliable and user-friendly way to prevent a safety incident.

Standard Package Contents

- Detector complete with specified sensor(s), stainless steel alligator clip and concussion proof housing
- Rechargeable battery pack (installed)
- Wall outlet charger adaptor
- LCD Protector
- Spare filters
- Quick connect fittings
- 3 m (10 ft) sample tubing
- Screwdriver
- Multi-language Quick Reference Guide
- USB with User Manual

VOC	Volatile Organic Compounds	NH ₃	Ammonia
CO ₂	Carbon Dioxide	H ₂	Hydrogen
LEL	Combustible Gases	NO	Nitric Oxide
H ₂ S	Hydrogen Sulfide	NO ₂	Nitrogen Dioxide
CO	Carbon Monoxide	HCN	Hydrogen Cyanide
O ₂	Oxygen	Cl ₂	Chlorine
SO ₂	Sulfur Dioxide		

GENERAL SPECIFICATIONS	
SIZE	14.8 cm x 8.5 cm x 4.0 cm (5.8 in x 3.3 in x 1.6 in)
WEIGHT	411 g (14.5 oz) with clip
OPERATING TEMPERATURE	-20° C to 50° C (-4° F to 131° F)
INGRESS PROTECTION	IP66/68
WARRANTY	Instrument: 3 years Sensors: 3 years (2 years NH ₃ , 1 year PID and Cl ₂) Battery: 2 years

DS01195-01

Honeywell BW™ Ultra Multi-Gas Detector (continued)

Honeywell BW™ Ultra Five-Gas Detector with Pump	Order Number		Price (USD)
	Black	Yellow	
O ₂ , LEL, H ₂ S, CO, VOCs	HU-X1W1H1M1Q1-B-N	HU-X1W1H1M1Q1-Y-N	\$2,768.00
O ₂ , LEL, H ₂ S, CO, CO ₂ IR	HU-X1W1H1M1B1-B-N	HU-X1W1H1M1B1-Y-N	\$2,768.00
O ₂ , LEL, H ₂ S, CO, SO ₂	HU-X1W1H1M1S1-B-N	HU-X1W1H1M1S1-Y-N	\$2,191.00
O ₂ , LEL, H ₂ S, CO, NH ₃	HU-X1W1H1M1A1-B-N	HU-X1W1H1M1A1-Y-N	\$2,191.00
O ₂ , LEL, H ₂ S, CO, Cl ₂	HU-X1W1H1M1C1-B-N	HU-X1W1H1M1C1-Y-N	\$2,192.00
Honeywell BW™ Ultra Four-Gas Detector with Pump	Black	Yellow	Price (USD)
O ₂ , LEL, H ₂ S, CO	HU-X1W1H1M100-B-N	HU-X1W1H1M100-Y-N	\$1,888.00

Note: Listed above are commonly ordered instrument configurations. To create a custom Honeywell BW™ Ultra detector, use the configurator table on the next page or contact Honeywell Analytics.

Honeywell BW™ Ultra Warranty Extension		
ULTRA-WEXT-1Y	Additional 1-year warranty extension	\$261.00

Service Made Simple: Pricing is available on the partner portal (www.sps.honeywell.com/partners/safety) for Platinum and Gold Service Contracts, Rental Contracts and On Demand Repair and/or Calibration services. You can learn more about Service Made Simple on the partner portal or by contacting your local Honeywell sales representative.

Honeywell BW™ Ultra Multi-Gas Detector (continued)

Honeywell BW™ Ultra Order Number and Pricing Configurator

▶ Sensor 4 - Toxic 2			▶ Sensor 5 - Toxic 3		
None (dummy sensor)	\$0.00	00	00	\$0.00	None (dummy sensor)
H ₂ S (hydrogen sulfide)	\$193.00	H1	Q1	\$880.00	PID for VOCs (volatile organic compounds)
CO (carbon monoxide)	\$193.00	M1	W4	\$880.00	IR (infrared) for %LEL +% Vol (combustibles)
▶ Sensor 3 - Toxic 1			B1	\$880.00	IR (infrared) for CO ₂ (carbon dioxide)
None (dummy sensor)	\$0.00	00	S1	\$303.00	SO ₂ (sulfur dioxide)
H ₂ S (hydrogen sulfide)	\$193.00	H1	A1	\$303.00	NH ₃ (ammonia)
CO (carbon monoxide)	\$193.00	M1	R1	\$303.00	H ₂ (hydrogen)
▶ Sensor 2 - Combustible Gases			C1	\$303.00	Cl ₂ (chlorine)
None (dummy sensor)	\$0.00	00	D1	\$303.00	NO ₂ (nitrogen dioxide)
%LEL (combustibles), filtered	\$193.00	W1	Z1	\$303.00	HCN (hydrogen cyanide)
%LEL (combustibles), unfiltered	\$193.00	W2	N1	\$303.00	NO (nitrogen monoxide)
%LEL (combustibles), carbon filtered for mining*	\$193.00	W3	M2	\$303.00	CO (carbon monoxide), H ₂ (hydrogen) resistant
▶ Sensor 1 - Oxygen			▶ Housing		
None	\$0.00	00	B	Black housing	
O ₂ (oxygen)	\$165.00	X1	Y	Yellow housing	
▶ Base Unit			▶ Region		
Base unit	\$1,144.00	HU	N	North America	
			E	Europe	
			U	United Kingdom	
			C	China/New Zealand	
			A	Australia	
			B	Brazil	
			R	Russia	
			X	Other region with 3-pin UK plug	
			Y	Other region with 2-pin EU plug	
			M	Mining	

Order number:

HU	-								
----	---	--	--	--	--	--	--	--	--

Price (USD):

\$1,144	+		+		+		+		+	\$0	+	\$0	=
---------	---	--	---	--	---	--	---	--	---	-----	---	-----	---

For example, the order number for a Honeywell BW™ Ultra configured for O₂, %LEL (filtered), H₂S, CO and SO₂ and equipped with a black housing and North American power connectivity would be HU-X1W1H1M1S1-B-N and the price would be \$2,191.00.

*Note: For information on filtered and unfiltered LEL sensors, please see page 108.

Honeywell BW™ Ultra Multi-Gas Detector (continued)

Confined Space Kits	Order Number	Price (USD)
Honeywell BW™ Ultra Deluxe Confined Space Kit (Black water-tight case, demand flow regulator, hydrophobic filter, standard filters, dust filter, IR reader, 1 m (3 ft) PVC tubing (1/8 in I.D x 1/4 in O.D x 1/16 in), 3 m (10 ft) PVC tubing - PVC (1/8 in I.D x 1/4 in O.D x 1/16 in), HON screwdriver, BW Ultra battery pack, 0.3 m (1 ft) sample probe)	HU-CK-DL	\$620.00
Carrying case for Honeywell BW™ Ultra with foam and lid insert	HU-CK-CC	\$244.00

Carrying & Protective Accessories	Order Number	Price (USD)
Concussion-proof boot	HU-BOOT	\$66.00
Impact screen protector	HU-ISP	\$48.00
LCD scratch protector (kit of 5)	HU-PG5	\$70.00
LCD scratch protector (kit of 50)	HU-PG50	\$348.00
Neck strap with safety release	GA-NS-1	\$25.00
Short strap (15.2 cm (6 in))	GA-LY-1	\$17.00
Extension strap (1.2 m (4 ft))	GA-ES-1	\$60.00
Chest harness	GA-CH-2	\$102.00

Sampling Equipment	Order Number	Price (USD)
Sampling hose (3 m (10 ft), 1/8 in I.D., 1/4 in O.D.) kit	HOSE1-10	\$149.00
Sampling hose (6.1 m (20 ft), 1/8 in I.D., 1/4 in O.D.) kit	HOSE1-20	\$192.00
Sampling hose (19.8 m (65 ft), 1/8 in I.D., 1/4 in O.D.) kit	HOSE1-65	\$348.00
Sampling hose (22.8 m (75 ft), 1/8 in I.D., 1/4 in O.D.) kit	HOSE1-75	\$385.00
Sampling hose (3 m (10 ft), 1/8 in I.D., 1/4 in O.D.) kit, Teflon lined for reactive gases	HOSE2-10	\$149.00
Sampling hose (6.1 m (20 ft), 1/8 in I.D., 1/4 in O.D.) kit, Teflon lined for reactive gases	HOSE2-20	\$192.00
Sampling hose (19.8 m (65 ft), 1/8 in I.D., 1/4 in O.D.) kit, Teflon lined for reactive gases	HOSE2-65	\$348.00
Sampling hose (22.8 m (75 ft), 1/8 in I.D., 1/4 in O.D.) kit, Teflon lined for reactive gases	HOSE2-75	\$385.00
Sample probe with hydrophobic and particulate filters	GA-PROB1-1	\$56.00
Replacement filter and gasket kit for one for sample probe (GA-PROB1-1)	GA-PROB-FIL-K1	\$33.00
Replacement particulate filter for GA-PROB1-1 (kit of 25)	GA-PROB-PFIL-K25	\$99.00
Replacement syringe filter for sample probe (GA-PROB1-1)	GA-SFIL	\$17.00
Replacement syringe filters (kit of 20) for sample probe (GA-PROB1-1)	GA-SFIL-K1	\$163.00
Metallic sintered particulate filter	GA-MFILTER	\$35.00
Sampling float	GA-FLOAT	\$118.00
Replacement hydrophobic filter with male connector	D4-WT-1	\$26.00
Water trap with barbed connectors	WT-2	\$184.00

Note: For complete list of Sampling & Testing Equipment, see the Sampling Equipment section on pages 65-66.

Power Accessories	Order Number	Price (USD)
Multi-unit cradle charger	HU-CO1-MC5	\$327.00
Rechargeable battery pack with screw	HU-BAT	\$197.00
Replacement power adaptor, NA version (North America)	GA-PA-1-NA	\$26.00
12 Vdc to 24 Vdc vehicle power adaptor	GA-VPA-1	\$52.00
Ultra Single Cradle Charger	HU-CO1	\$112.00



**Ultra Deluxe
Confined Space Kit**
HU-CK-DL

Honeywell BW™ Ultra Multi-Gas Detector (continued)

Honeywell IntelliDoX® Automated Instrument Management System	Order Number	Price (USD)
Honeywell IntelliDoX® docking station for Honeywell BW™ Ultra	DX-ULTRA	\$2,616.00
Honeywell IntelliDoX® Nest for Honeywell BW™ Ultra	DX-NEST-ULTRA	\$717.00
Honeywell IntelliDoX® enabler kit, NA version (North America) <i>Includes power supply with region-specific AC power cord, ethernet cable, inlet (purge) filter assembly, 1 m (3 ft) calibration gas tubing, 1 m (3 ft) purge gas tubing, 4.5 m (15 ft) exhaust tubing and quick connect fittings.</i>	DX-ENBL-NA	\$299.00

Note: One Honeywell IntelliDoX® enabler kit is required for each docking system. Each docking system can support up to five Honeywell IntelliDoX® modules. For a complete list of Honeywell IntelliDoX® parts, please refer to the Honeywell IntelliDoX® Docking System section on pages 67-70.

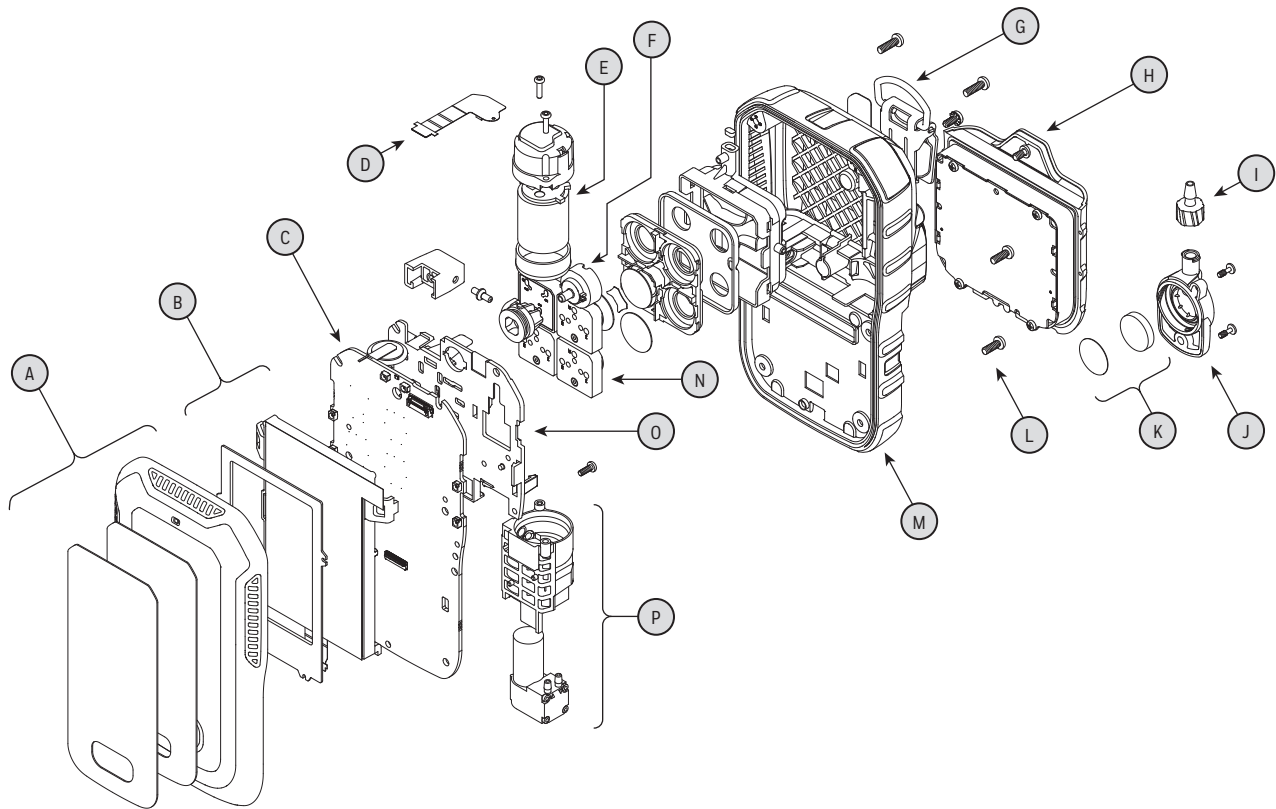
Calibration & Testing Equipment	Order Number	Price (USD)
Quad-gas: CH ₄ (2.5%), O ₂ (18%), H ₂ S (25 ppm), CO (100 ppm), 34 L, balance N ₂ (requires REG-DF-1 or REG-0.5)	CG-Q34-4	\$244.00
Quad-gas: CH ₄ (2.5%), O ₂ (18%), H ₂ S (25 ppm), CO (100 ppm), 58 L, balance N ₂ (requires REG-DF-1 or REG-0.5)	CG-Q58-4	\$299.00
Hydrogen (H ₂ , 200 ppm) balance air, 34 L	CG-H2-200-34	\$112.00
Demand flow regulator (for use with MicroDock II or Honeywell IntelliDoX®)	REG-DF-1	\$511.00
Calibration gas regulator (0.5 LPM)	REG-0.5	\$228.00
Calibration hose, Tygon (0.3 m (1 ft), 1/8 in I.D., 1/4 in O.D.)	C2-HOSE1-1	\$10.00
Wall mount (adjustable) for 34 L, 58 L or 103 L gas cylinders, red	MK-CG2-58	\$129.00

For a full list of calibration and testing equipment, please see pages 103-104.

Replacement Sensors	Order Number	Price (USD)
One-series dummy sensor	SR-DUMM-1S	\$23.00
4R+ dummy sensor	SR-DUMM-4R	\$24.00
Replacement oxygen (O ₂) sensor (one-series)	SR-X1-1S	\$271.00
Replacement combustible (LEL) sensor (filtered, one-series)	SR-W1-1S	\$357.00
Replacement combustible (LEL) sensor (unfiltered, one-series)	SR-W2-1S	\$367.00
Replacement combustible (LEL) sensor (carbon filtered for mining, one-series)	SR-W3-1S	\$367.00
Replacement hydrogen sulfide (H ₂ S) sensor (one-series)	SR-H1-1S	\$339.00
Replacement carbon monoxide (CO) sensor (one-series)	SR-M1-1S	\$339.00
Replacement volatile organic compounds (VOC) PID sensor (4R+)	SR-Q1-4R	\$1,419.00
Replacement combustible (LEL) IR sensor (4R+)	SR-W4-4R	\$1,419.00
Replacement carbon dioxide (CO ₂) IR sensor (4R+)	SR-B1-4R	\$1,419.00
Replacement sulfur dioxide (SO ₂) sensor (4R+)	SR-S1-4R	\$569.00
Replacement ammonia (NH ₃) sensor (4R+)	SR-A1-4R	\$583.00
Replacement hydrogen (H ₂) sensor (4R+)	SR-R1-4R	\$583.00
Replacement chlorine (Cl ₂) sensor (4R+)	SR-C1-4R	\$583.00
Replacement nitrogen dioxide (NO ₂) sensor (4R+)	SR-D1-4R	\$583.00
Replacement hydrogen cyanide (HCN) sensor (4R+)	SR-Z1-4R	\$569.00
Replacement nitrogen monoxide (NO) sensor (4R+)	SR-N1-4R	\$583.00
Replacement carbon monoxide (CO) sensor, hydrogen (H ₂) resistant (4R+)	SR-M2-4R	\$569.00
Sensor conditioning station for 4R+ sensors	T03-0001-000	\$729.00
PID 4R+ sensor top cover removal tool (kit of 3)	G02-0306-003	\$53.00
PID sensor lamp cleaning kit	081-0017-000	\$82.00

Spares & Replacement Parts	Order Number	Price (USD)
Pump inlet connector	HU-INCONN	\$15.00
Replacement inlet filter kit (kit of 10)	HU-IN-FIL	\$70.00
Replacement exhaust filter kit (kit of 10)	HU-EX-FIL	\$37.00
Replacement auxiliary pump filter (kit of 5)	M5-AF-K2	\$52.00
Replacement auxiliary pump filter (kit of 100)	M5-AF-K2-100	\$644.00

Honeywell BW™ Ultra Multi-Gas Detector (continued)



Legend	Service Parts	Order Number	Price (USD)
A	Replacement front enclosure with LCD gasket (black)	HU-FC-B	\$70.00
A	Replacement front enclosure with LCD gasket (yellow)	HU-FC-Y	\$70.00
B	Replacement LCD kit (includes LCD, LCD holder and flex connector)	HU-LCD	\$105.00
C	Replacement PCB assembly	HU-PCB	\$556.00
D	Replacement flex PCB	HU-FPCB	\$29.00
E	Replacement Toxic 3 (4R) sensor, see page 51		
F	Replacement exhaust filter kit (kit of 10)	HU-EX-FIL	\$37.00
G	Replacement alligator clip with screw	HU-AG	\$33.00
H	Replacement rechargeable battery pack with screw	HU-BAT	\$197.00
I	Replacement pump inlet connector	HU-INCONN	\$15.00
J	Replacement pump inlet with screw	HU-IN	\$37.00
K	Replacement inlet filter kit (kit of 10)	HU-IN-FIL	\$70.00
L	Replacement screw kit for 5 detectors	HU-SCREW	\$23.00
M	Replacement back enclosure	HU-BC	\$105.00
N	Replacement sensors, see page 51		
O	Replacement manifold kit (includes 4R + one-series sensor manifold and exhaust manifold assemblies)	HU-MAN	\$29.00
P	Replacement pump (includes pump)	HU-PUMP	\$278.00
	Replacement vibration motor	GA-VM-2	\$26.00

Note: Please refer to the instrument's documentation (shipped with the product or available at www.sps.honeywell.com) for complete instructions on common service procedures. Improper servicing or maintenance may affect warranty eligibility. Honeywell assumes no liability for damages resulting from improper servicing or maintenance.



Honeywell BW™ RigRat

Transportable Multi-Gas Area Monitor

Honeywell BW™ RigRat is so easy to use that workers can operate it with confidence, trusting it to alert them to gas threats in their proximity – indoors and out.

Standard Package Contents

- Monitor complete with sensors, battery and wireless options as specified, and filter(s) installed
- Power adaptor
- LCD cover
- Diffusion calibration cap assembly
- Pump calibration tube assembly
- External Filter (pumped version only)
- Antennas: 868 MHz to 928 MHz, RP-N and 2.4 GHz, RP-N
- Quick Start Guide
- Calibration and test certificate

GENERAL SPECIFICATIONS

SIZE	40 cm x 29 cm x 47 cm (15.8 in x 11.4 in x 18.5 in)
WEIGHT	8 kg (17.6 lb)
OPERATING TEMPERATURE	-40° C to 60° C (-40° F to 140° F) for diffusion models -20° C to 60° C (-40° F to 140° F) for pump models
INGRESS PROTECTION	cETLus Class I Division 1; Group A, B, C, D; T4; IEC EX/ATEX I M1 Ex ia I Ma II 1G Ex ia da IIC T4 Ga For LELIR/CO2 sensor installed: I M1 Ex ia I Ma II 2G Ex ia da db IIC T4 Gb 1G Ex ia da IIC T4 Ga
WARRANTY	Instrument: 2 years Sensors: up to 3 years Battery: 1 year

CO₂ Carbon Dioxide	SO₂ Sulfur Dioxide
LEL Combustible Gases	NO Nitric Oxide
H₂S Hydrogen Sulfide	O₂ Oxygen
CO Carbon Monoxide	HCN Hydrogen Cyanide
NO₂ Nitrogen Dioxide	VOC Volatile Organic Compounds
Cl₂ Chlorine	NH₃ Ammonia
	PH₃ Phosphine

Honeywell BW™ RigRat Transportable Multi-gas Area Monitor (continued)

Honeywell BW™ RigRat Instruments	Order Number	Price (USD)
Basic diffusion: BLE only (default for all versions), Catalytic LEL (0% to 100% LEL), CO (0 ppm to 500 ppm), H ₂ S (0 ppm to 100 ppm), Liquid Oxygen (0% to 30% Vol)	HRR-A300009ABK-000	\$5,482.00
Basic pump: BLE only (default for all versions), Catalytic LEL (0% to 100% LEL), CO (0 ppm to 500 ppm), H ₂ S (0 ppm to 100 ppm), Liquid Oxygen (0% to 30% Vol)	HRR-B300009ABK-000	\$6,032.00
Basic pump: BLE only (default for all versions), Ex NDIR (0% to 100% LEL), CO (0 ppm to 500 ppm), H ₂ S (0 ppm to 100 ppm), Liquid Oxygen (0% to 30% Vol)	HRR-A300100ABK-000	\$6,230.00
Enhanced diffusion: Input/output + wireless, BLE, Mesh 900MHz (Portables Systems), Catalytic LEL (0% to 100% LEL), CO (0 ppm to 500 ppm), H ₂ S (0 ppm to 100 ppm), Liquid Oxygen (0% to 30% Vol)	HRR-B300100ABK-000	\$6,780.00
Enhanced diffusion: Input/output + wireless, BLE, Mesh 900MHz (Portables Systems), Ex NDIR (0-100% LEL) Low Power, (0% to 100% LEL), CO (0 ppm to 500 ppm), H ₂ S (0 ppm to 100 ppm), Liquid Oxygen (0% to 30% Vol), GPS	HRR-C301009ABK-000	\$6,362.00
Enhanced pump: Input/output + wireless, BLE, Mesh 900MHz (Portables Systems), Catalytic LEL (0% to 100% LEL), CO (0 ppm to 500 ppm), H ₂ S (0 ppm to 100 ppm), Liquid Oxygen (0% to 30% Vol)	HRR-C301100ABK-100	\$7,495.00
Enhanced diffusion: Input/output + wireless + Noise Sensor, BLE, Mesh 900MHz (Portables Systems), Catalytic LEL (0% to 100% LEL), CO (0 ppm to 500 ppm), H ₂ S (0 ppm to 100 ppm), Liquid Oxygen (0% to 30% Vol)	HRR-C303100ABK-000	\$7,110.00
Enhanced pump: Input/output + wireless + Noise Sensor, BLE, Mesh 900MHz (Portables Systems), Catalytic LEL (0% to 100% LEL), CO (0 ppm to 500 ppm), H ₂ S (0 ppm to 100 ppm), Liquid Oxygen (0% to 30% Vol)	HRR-D301009ABK-000	\$6,912.00
Enhanced diffusion: Input/output + wireless + Noise Sensor, BLE, Mesh 900MHz (Portables Systems), Ex NDIR (0% to 100% LEL), CO (0 ppm to 500 ppm), H ₂ S (0 ppm to 100 ppm), Liquid Oxygen (0% to 30% Vol), GPS	HRR-G301009ABK-000	\$6,747.00
Enhanced pump: Input/output + wireless + Noise Sensor, BLE, Mesh 900MHz (Portables Systems), Catalytic LEL (0% to 100% LEL), CO (0 ppm to 500 ppm), H ₂ S (0 ppm to 100 ppm), Liquid Oxygen (0% to 30% Vol)	HRR-H301009ABK-000	\$7,297.00
Enhanced diffusion: Input/output + wireless + Noise Sensor, BLE, Mesh 900MHz (Portables Systems), Ex NDIR (0% to 100% LEL), Low Power, CO (0 ppm to 500 ppm), H ₂ S (0 ppm to 100 ppm), Liquid Oxygen (0% to 30% Vol), GPS	HRR-G301100ABK-100	\$7,880.00
Enhanced pump: Input/output + wireless + Noise Sensor, BLE, Mesh 900MHz (Portables Systems), Ex NDIR (0% to 100% LEL), Low Power, CO (0 ppm to 500 ppm), H ₂ S (0 ppm to 100 ppm), Liquid Oxygen (0% to 30% Vol), GPS	HRR-H301100ABK-100	\$8,430.00

Accessories & Replacement Parts	Order Number	Price (USD)
Dust Cap I/O Connector	400-4083-000	\$15.00
Connector Plug MALE 3POS Solder	400-4105-003	\$59.00
Connector Plug MALE 10POS Solder	400-4105-010	\$59.00
Connector Plug MALE 14POS Solder	400-4105-014	\$59.00
BW™ RigRat Antenna 868-928MHz, RP-N	550-7056-000	\$70.00
BW™ RigRat Antenna 2.4GHz, RP-N	550-7057-000	\$70.00
Alarm Bar Stand Controller Cabinet	F08-2119-000	\$541.00
Sensor Under Foam BW™ RigRat	M01-2029-000	\$8.00
Waterproof Membrane	M01-2067-000	\$8.00
Rubber-Gas IN and OUT BW™ RigRat	W03-2009-000	\$13.00
Rain Cover	W03-2038-000	\$30.00
BW™ RigRat Top Handle	W03-2111-000	\$197.00
LCD Protection Cover	W03-2129-000	\$13.00
RAEMet Cable	W03-2154-000	\$59.00
RAEMet Metal Bracket	W03-2200-000	\$59.00
Storage Rack kit	W03-2203-000	\$403.00
Gas Inlet Connector (pump version only)	W03-3006-000	\$25.00
IS barrier kit	W03-3018-000	\$861.00
Base Assembly	W03-3037-000	\$345.00
Metal cage kit for BW™ RigRat	W03-3042-000	\$351.00
AC/DC adaptor, 110 VAC to 240 VAC input, 6V 3A output	W03-3044-000	\$82.00
BW™ RigRat RAEMet kit	W03-3045-000	\$1,810.00
Quick start guide (QSG) BW™ RigRat	W03-4002-000	\$59.00
Noise Sensor Cover for BW™ RigRat	W03-2140-000	\$19.00
Noise Sensor Foam for BW™ RigRat	W03-2084-000	\$13.00
Diffusion calibration cap assembly	W03-3013-000	\$30.00

Honeywell BW™ RigRat Transportable Multi-gas Area Monitor (continued)

Accessories & Replacement Parts	Order Number	Price (USD)
Pump calibration tube assembly	W03-3020-000	\$19.00
Gas cover assembly (BW™ RigRat Diffusion)	W03-3015-000	\$104.00
Gas cover assembly (BW™ RigRat Pumped)	W03-3005-000	\$574.00
Clamp kit for BW™ RigRat (includes 2 clamps and 4 screws)	W03-3043-000	\$53.00
Pump assembly for BW™ RigRat	W03-3016-000	\$345.00
Spare Sensors	Order Number	Price (USD)
Ex NDIR (0% to 100% LEL) LP	C03-0992-100	\$1,003.00
Ex NDIR (0% to 100% VOL) LP	C03-0992-000	\$1,003.00
Ex NDIR (0% to 100% LEL) SIL I	C03-0990-100	\$1,003.00
Ex NDIR (0% to 100% VOL) SIL I	C03-0990-000	\$1,003.00
CO2 NDIR (up to 50,000 ppm)	C03-0991-000	\$1,003.00
4R+ PID(10.6eV)	C03-0912-000	\$630.00
4R+ CO Sensor Module	C03-0906-000	\$255.00
4R+ H ₂ S Sensor Module	C03-0907-001	\$255.00
4R+ H ₂ S High Range Sensor Module	C03-0904-000	\$255.00
4R+ SO Sensor Module	C03-0973-000	\$375.00
4R+ NO Sensor Module	C03-0974-000	\$436.00
4R+ NO ₂ Sensor Module	C03-0975-000	\$436.00
4R+ HCN Sensor Module	C03-0949-000	\$509.00
4R+ NH Sensor Module	C03-0950-000	\$509.00
4R+ CL ₂ Sensor Module	C03-0978-000	\$375.00
4R+ O ₂ Sensor Module	C03-0908-001	\$416.00
4R+ CO High Range Sensor Module	C03-0903-000	\$375.00
4R+ CO (H Compensated) Sensor Module	C03-0979-000	\$436.00
Sensor Module (Analog) LEL 4R+ Sensor Module (Analog) LEL 4R+	C03-0801-000	\$236.00
Dummy 4R+ Sensor	C03-2028-000	\$41.00

Honeywell BW™ RigRat Transportable Multi-gas Area Monitor (continued)

Honeywell BW™ RigRat Pricing Configurator

A Base Station		
A	Basic diffusion: BLE only	\$4,400.00
B	Basic pump: BLE only	\$4,950.00
C	Enhanced diffusion: I/O+ wireless	\$5,280.00
D	Enhanced Pump: I/O+wireless	\$5,830.00
E	Basic diffusion: BLE only+Noise	\$4,785.00
F	Basic pump: BLE only+Noise	\$5,345.00
G	Enhanced diffusion: I/O+wireless+Noise	\$5,665.00
H	Enhanced pump: I/O+wireless+Noise	\$6,215.00
B Certification of Intrinsic Safety		
1	Global & Regional	\$0.00
2	China	\$0.00
3	Americas	\$0.00
C Wireless Certification		
0	Always Zero	\$0.00
D Wireless Options		
0	None (BLE is included in all units)	\$0.00
1	Mesh 900 MHz	\$0.00
2	Mesh 868 MHz	\$0.00
3	Mesh 2.4 GHz	\$0.00
4	WiFi	\$0.00
5	Mesh 900 MHz (Brazil)	\$0.00
6	Mesh 865.6 MHz & 866.4 MHz (India)	\$0.00
7	Mesh 869 MHz (Russia)	\$0.00
E - K Sensor Options		
0	Dummy Sensor	\$0.00
1	Ex NDIR (0% to 100% LEL) Low Power	\$1,003.00
2	Ex NDIR (0% to 100% VOL) Low Power	\$1,003.00
3	Ex NDIR (0% to 100% LEL) SIL I	\$1,003.00
4	Ex NDIR (0% to 100% VOL) SIL I	\$1,003.00
5	CO ₂ NDIR (up to 50,000 ppm)	\$1,003.00
7	PID (10.6 eV) (0 ppm to 2,000 ppm)	\$630.00
9	Ex CAT LEL (0% to 100% LEL)	\$255.00
A	Carbon monoxide (0 ppm to 500 ppm)	\$255.00
B	Hydrogen sulfide (0 ppm to 100 ppm)	\$255.00
C	Hydrogen sulfide, Hi Range (0 ppm to 1,000 ppm)	\$255.00
D	Sulfur dioxide (0 ppm to 20 ppm)	\$375.00
E	Nitric oxide (0 ppm to 250 ppm)	\$436.00
F	Nitrogen dioxide (0 ppm to 20 ppm)	\$436.00
G	Hydrogen cyanide (0 ppm to 50 ppm)	\$509.00
H	Ammonia (0 ppm to 100 ppm)	\$509.00
J	Chlorine (0 ppm to 50 ppm)	\$375.00
K	Oxygen (0% to 30% VOL)	\$317.00
L	Phosphine (0-20ppm, 0.1ppm)	\$509.00
M	Carbon monoxide, Hi Range (0 ppm to 2,000 ppm)	\$375.00
N	Carbon monoxide H ₂ Resistant (0 ppm to 2,000 ppm)	\$436.00
M Extended Functions		
0	None	\$0.00
1	GPS [†]	\$385.00

[†]Cannot be selected with 2.4 GHz Mesh option.

HRR - A B 0 D E F G H J K - M 0 0

SELECTION RESTRICTIONS: If a unit is configured with fewer than 6 sensors, then a dummy sensor must be selected for each empty sensor position, only an NDIR sensor, or a dummy sensor, can be selected in sensor position E, the PID sensor can only be selected in sensor position F, the cat bead LEL sensor can only be selected in sensor position G, and dummy sensors should be selected in positions before electrochem selections, not after. Correct: HRR-G101070ABK-000, Not Correct: HRR-G10107ABK0-000

When selecting sensors, first specify any NDIR, PID and cat bead LEL sensors using lowest number to highest number order - sensors cannot be selected in black-filled cells
 * NO and NH₃ sensors cannot be selected in the same instrument ** Cl₂ and H₂S or H₂S (HR), cannot be selected in the same instrument
 *** If one of the VOL combustible sensors is selected, then the CAT combustible sensor must also be selected

Sampling Equipment



- Honeywell BW Clip® Series
- Honeywell BW™ Solo
- Honeywell BW™ Icon Series
- Honeywell BW™ Flex Series
- Honeywell BW™ MicroClip Series
- Honeywell BW™ Clip4
- GasAlertQuattro
- Honeywell BW™ Max XT II
- GasAlertMicro 5 Series
- Honeywell BW™ Ultra

Manual Aspirator Pumps	Order Number	Price (USD)
Manual aspirator pump kit with sampling hose (3 m (10 ft), 1/8 in I.D., 1/4 in O.D.) <i>Note: no instrument adaptors or probes included.</i>	D4-AS01	\$155.00
Manual aspirator pump kit with probe (0.3 m (1 ft)) <i>Compatible with GasAlertMicro 5 Series.</i>	GA-AS02	\$155.00
Manual aspirator pump kit with probe (0.3 m (1 ft)) <i>Compatible with GasAlertQuattro.</i>	QT-AS01	\$119.00
Manual aspirator pump kit with probe (0.3 m (1 ft)) <i>Compatible with Honeywell BW™ MicroClip detectors.</i>	MC-AS01	\$121.00

Sampling Hose Kits Tube – dim. inner 1/8" outer 1/4"	Order Number	Price (USD)
Sampling hose (3 m (10 ft), 1/8 in I.D., 1/4 in O.D.) kit with connectors and 3 particulate filters, Tygon tubing	HOSE1-10	\$42.00
Sampling hose (6.1m (20 ft), 1/8 in I.D., 1/4 in O.D.) kit with connectors and 3 particulate filters, Tygon tubing	HOSE1-20	\$192.00
Sampling hose (19.8 m (65 ft), 1/8 in I.D., 1/4 in O.D.) kit with connectors and 3 particulate filters, Tygon tubing	HOSE1-65	\$348.00
Sampling hose (22.8 m (75 ft), 1/8 in I.D., 1/4 in O.D.) kit with connectors and 3 particulate filters, Tygon tubing <i>Compatible with Honeywell BW™ Max XT II only.</i>	HOSE1-75	\$385.00
Sampling hose (3 m (10 ft), 1/8 in I.D., 1/4 in O.D.) kit Teflon® lined, for use with reactive gases- with connectors and 3 particulate filters	HOSE2-10	\$149.00
Sampling hose (6.1m (20 ft), 1/8 in I.D., 1/4 in O.D.) kit Teflon® lined, for use with reactive gases - with connectors and 3 particulate filters	HOSE2-20	\$192.00
Sampling hose (19.8 m (65 ft), 1/8 in I.D., 1/4 in O.D.) kit Teflon® lined, for use with reactive gases - with connectors and 3 particulate filters	HOSE2-65	\$348.00
Sampling hose (22.8 m (75 ft), 1/8 in I.D., 1/4 in O.D.) kit Teflon® lined, for use with reactive gases - with connectors and 3 particulate filters <i>Compatible with Honeywell BW™ Max XT II only.</i>	HOSE2-75	\$385.00

Note: Check the user manual supplied with your product for maximum sampling distances.



Manual Aspirator Pump

GA-AS02

For remote sampling with the GasAlertMicro 5 Series detectors; complete with probe, hose and aspirator pump



Manual Aspirator Pump

QT-AS01

For GasAlertQuattro remote sampling; complete with probe, hose, aspirator pump and adaptor cap



Sampling Hose

HOSE1-10/20/65/75

Sampling hose with connectors and 3 particulate filters; available in 3 m (10 ft), 6.1 m (20 ft), 19.8 m (65 ft) and 22.8 m (75 ft) lengths



Manual Aspirator Pump

MC-AS01

For Honeywell BW™ MicroClip detector remote sampling; complete with probe, hose, aspirator pump and adaptor cap

Sampling Equipment

- Honeywell BW Clip® Series
- Honeywell BW™ Solo
- Honeywell BW™ Icon Series
- Honeywell BW™ Flex Series
- Honeywell BW™ MicroClip Series
- Honeywell BW™ Clip4
- GasAlertQuattro
- Honeywell BW™ Max XT II
- GasAlertMicro 5 Series
- Honeywell BW™ Ultra



Sampling Probes and Accessories	Order Number	Price (USD)
Sample probe (0.3 m (1 ft)) with hydrophobic and particulate filters	GA-PROB1-1	\$56.00
Filter and gasket replacements for sample probe (GA-PROB1-1)	GA-PROB-FIL-K1	\$33.00
BW syringe filter replacements for sample probe (GA-PROB1-1)	GA-SFIL	\$17.00
BW syringe filter (kit of 20) replacements for sample probe (GA-PROB1-1)	GA-SFIL-K1	\$163.00
Replacement particulate filter for GA-PROB1-1 (kit of 25)	GA-PROB-PFIL-K25	\$99.00
Collapsible aluminum sample probe with handle (1 m (3.3 ft)), Tygon hose (1/8 in I.D., 1/4 in O.D.)	GA-CPROB1	\$118.00
Collapsible aluminum sample probe with handle (1.8 m (6 ft)), Tygon hose (1/8 in I.D., 1/4 in O.D.)	GA-CPROB2	\$170.00
Metallic sintered particulate filter	GA-MFILTER	\$35.00
Quick connect fitting spares for hoses (kit of 2)	M0931K	\$57.00
Sampling float	GA-FLOAT	\$118.00
Hydrophobic filter replacement with male connector for manual aspirator pumps	D4-WT-1	\$26.00
Water trap with barbed connectors	WT-2	\$184.00



Sample Probe
GA-PROB1-1



Particulate Filter
GA-MFILTER
Metallic sintered filter



Quick Connect Fittings
M0931K



Sample Probe Filter and Gasket Replacements
GA-PROB-FIL-K1



Syringe Filter Replacement
GA-SFIL



Sampling Float
GA-FLOAT
Ensure no liquid uptake when sampling, two buoys elevate hose inlet above liquid surface.



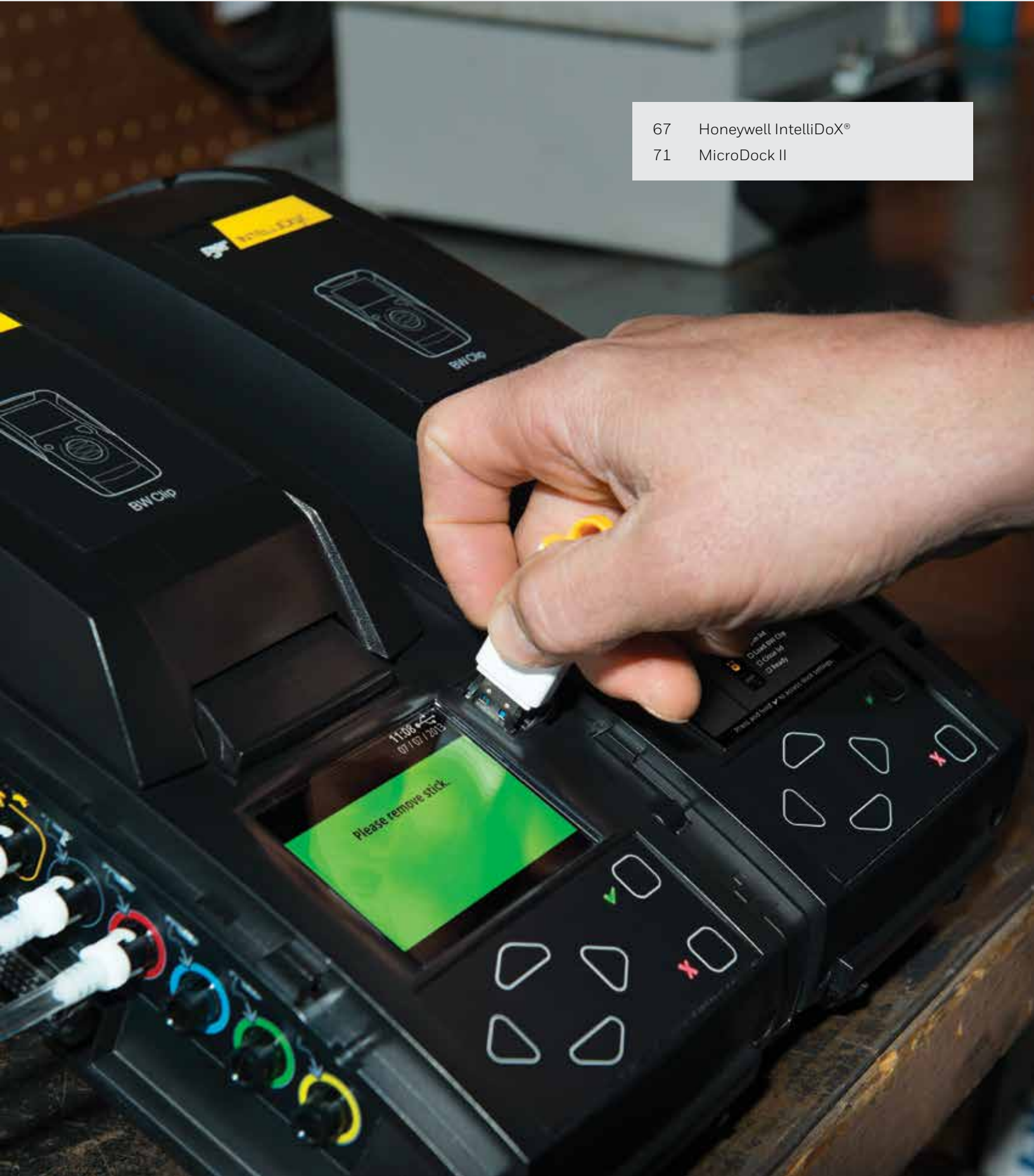
Particulate Filter Replacements
GA-PROB-PFIL-K25
For GA-PROB1-1, kit of 25



Collapsible Probe
GA-CPROB1 / GA-CPROB2
Available in two probe lengths

Docking, Testing and Data Management

- 67 Honeywell IntelliDoX®
- 71 MicroDock II



Docking, Testing and Data Management

67 Honeywell IntelliDoX®

71 MicroDock II





Honeywell IntelliDoX®

Automatic Instrument Management System

Honeywell IntelliDoX®, unmatched performance and customization

The Honeywell IntelliDoX® instrument management system combines smart docking modules with Honeywell Safety Suite Device Configurator software to provide automated instrument management, helping drive productivity, reliability and efficiency. Place the detector in the docking module, and it automatically tests the gas detector and sensors while transferring data to the docking station.

The Honeywell IntelliDoX® delivers quicker bump tests for better productivity. Bump as many as five detectors in less than a minute. That means no more queues of workers waiting to test their detectors. Gang up to five Honeywell IntelliDoX® for even greater productivity, each module can function independently, managing fleets of detectors, all simultaneously.

Efficient when networked via Ethernet or stand-alone, transfer data with a USB drive, the Honeywell IntelliDoX® is the solution for easy record-keeping, to transfer bump tests, peak exposures and other gas-detection data.

Standard Package Contents

- One Honeywell IntelliDoX® module with a factory-installed nest for a compatible portable gas detector and an attached End Plate
- Integrated retractable stand/wall mount
- Quick Reference Guide
- Operator's Manual CD

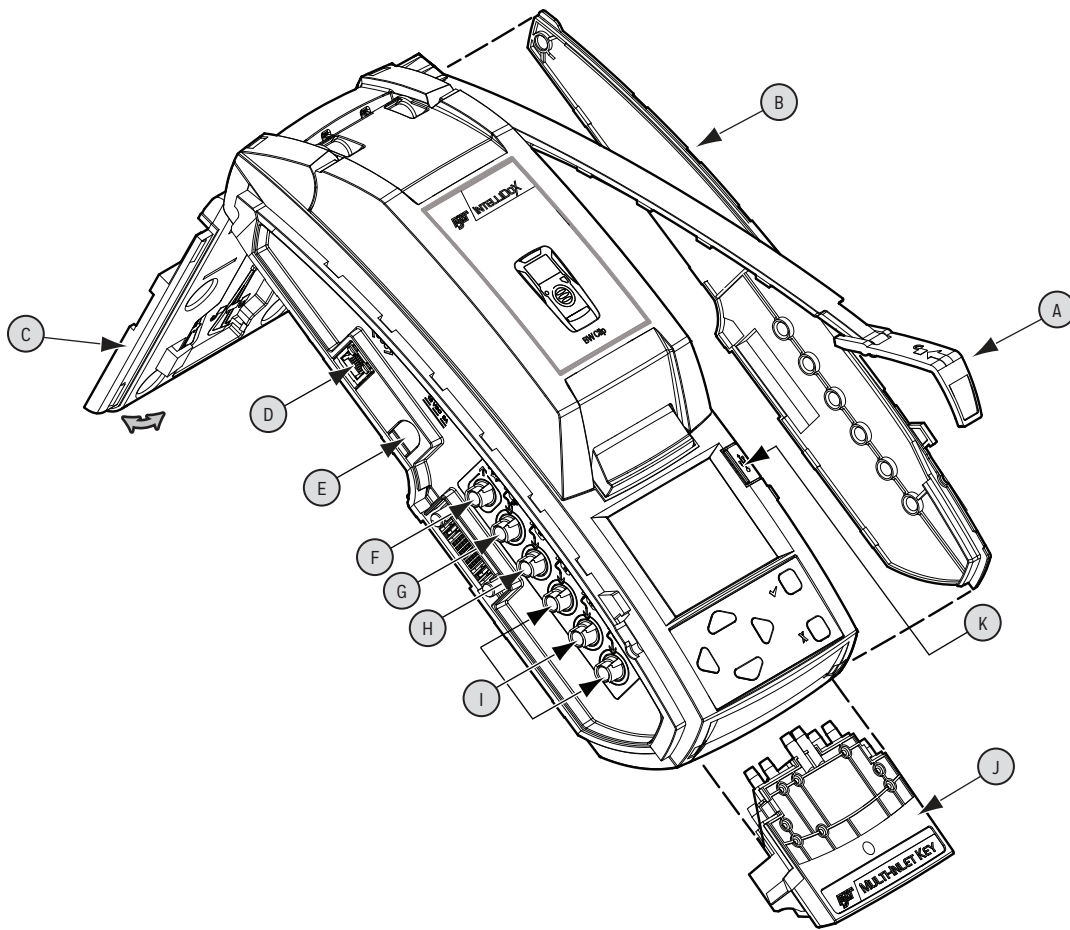
Compatible Detectors

- Honeywell BW™ Icon/Icon+
- Honeywell BW™ Flex
- Honeywell BW™ MicroClip Series
- Honeywell BW™ Clip4
- Honeywell BW™ Clip® Series
- Honeywell BW™ Solo
- Honeywell BW™ Ultra
- Honeywell BW™ Max XT II

Options & Accessories

Multi-Inlet Key – Configure a single Honeywell IntelliDoX® module to connect multiple calibration gas cylinders.

GENERAL SPECIFICATIONS	
SIZE	13.8 cm x 36.2 cm x 10.9 cm (5.4 in x 14.2 in x 4.3 in) per docking module
WEIGHT	1.91 kg (4.2 lb)
POWER SUPPLY	12 V / 8.33A ITE
EXTERNAL INTERFACE	1 USB port, 1 ethernet port
PUMP	Flow rate: 350 ml/min (independent pump in each module)
AUTOMATIC TESTS	FastBump: 10 seconds; Standard Bump: 40 seconds; Calibration; Hibernation
LCD DISPLAY COLOR CODING	Yellow "TEST", Green "PASS", Red "FAIL"
CERTIFICATIONS AND APPROVALS	<ul style="list-style-type: none"> • Certicate of Compliance, CSA/UL 61010-1 (3rd Ed) • EC Declaration of Conformity, EMC Directive & Low Voltage Directive
WARRANTY	Full two year warranty



Legend Description

Letter	Description
A	Latch arm
B	End plate
C	Integrated back panel
D	Ethernet port
E	Power supply port
F	Exhaust outlet
G	Purge inlet
H, I	Gas inlets
J	Multi-Inlet Key
K	USB port

How to Assemble a Honeywell IntelliDoX[®] and prepare for first-time use

1. Connect the purge inlet filter - Ensure that the filter assembly is free of obstructions and defects. Connect the filter assembly to the purge inlet (G). If necessary, attach extension tubing to the filter assembly to draw ambient air from an adjacent fresh air environment.
2. Connect the exhaust tubing - Inspect the exhaust tubing to ensure that it is free of obstructions and defects. Connect the exhaust tubing to the exhaust outlet (F). Ensure that the exhaust tubing is not connected to a negative pressure system or obstructed in any way.
3. Connect the calibration gas tubing - Inspect the calibration gas tubing to ensure that it is free of obstructions and defects. Connect the calibration gas tubing to a demand flow regulator. Ensure that the calibration gas tubing is connected to a 3 L/min Demand Flow regulator. Connect the calibration gas tubing to the first gas inlet (H). Attaching additional calibration gas tubing to a Honeywell IntelliDoX[®] inlets 2, 3 or 4 (I) requires the attachment of the Multi-Inlet Key (J) on each module that requires this gas.
4. Connect the power - Connect the AC power cord to the power supply. Connect the power supply to the power connection on the Honeywell IntelliDoX[®] module (E). Plug the AC power cord into a suitable wall outlet. When the power is connected, the Honeywell IntelliDoX[®] LCD activates and a self-test is performed.

5. Connect to a Computer Network - Insert one end of the Ethernet cable into the Ethernet port on the Honeywell IntelliDoX[®] module (D). Insert the free end of the Ethernet cable into the network outlet.
6. The integrated back panel of the Honeywell IntelliDoX[®] (C) may be used as a retractable stand suitable for table top use or as a wall mount to support an individual module or gang of up to five connected modules. Refer to the operator's manual for assembly instructions.

How to Assemble Up To Five Connected Modules

1. Unlock and raise the latch arm (A) on the first module. If an end plate (B) is attached, remove it.
2. Align the connection port and outlets on the first module with the connection port and inlets on a second module. Push the modules firmly together to connect.
3. Lower and lock the latch arm (A).
4. Repeat as necessary to connect up to a maximum of five Honeywell IntelliDoX[®] modules in one gang.
5. When the gang is complete, attach the end plate (B) to the last module in the gang.

Honeywell IntelliDoX[®] Automatic Instrument Management System (continued)

Honeywell IntelliDoX [®] Docking System	Order Number	Price (USD)
Honeywell IntelliDoX [®] docking station for Honeywell BW Clip [®] Series	DX-CLIP	\$2,616.00
Honeywell IntelliDoX [®] docking station for Honeywell BW [™] Solo	DX-SOLO	\$2,616.00
Honeywell IntelliDoX [®] docking station for Honeywell BW [™] Icon/Icon+	DX-CP	\$2,616.00
Honeywell IntelliDoX [®] docking station for Honeywell BW [™] Clip4	DX-BWC4	\$2,616.00
Honeywell IntelliDoX [®] docking station for Honeywell BW [™] MicroClip XT, XL or X3	DX-MCLP	\$2,616.00
Honeywell IntelliDoX [®] docking station for Honeywell BW [™] MaxXT II	DX-MAXXT	\$2,616.00
Honeywell IntelliDoX [®] docking station for Honeywell BW [™] Ultra	DX-ULTRA	\$2,616.00
Honeywell IntelliDoX [®] enabler kit, NA version (North America) <i>Includes power supply with region-specific AC power cord, ethernet cable, inlet (purge) filter assembly, 1 m (3 ft) calibration gas tubing, 1 m (3 ft) purge gas tubing, 4.5 m (15 ft) exhaust tubing and quick connect fittings.</i>	DX-ENBL-NA	\$299.00

Note: One Honeywell IntelliDoX[®] enabler kit is required for each docking system. Each docking system can support up to five Honeywell IntelliDoX[®] modules.

Honeywell IntelliDoX [®] Detector Nests	Order Number	Price (USD)
IntelliDoX Nest for BW Clip	DX-NEST-CLIP	\$717.00
IntelliDoX Nest for BW Solo	DX-NEST-SOLO	\$717.00
IntelliDoX Nest for BW Icon/Icon+	DX-NEST-CP	\$683.00
IntelliDoX Nest for BW Clip4	DX-NEST-BWC4	\$717.00
IntelliDoX Nest for BW MicroClip XL/X3	DX-NEST-MCLP	\$717.00
IntelliDoX Nest for BW MaxXT II	DX-NEST-MAXXT	\$717.00
IntelliDoX Nest for BW Ultra	DX-NEST-ULTRA	\$717.00

Note: Each IntelliDoX[®] docking station includes either a Single-Inlet Key or a Multi-Inlet Key, depending on the typical use for the detector type. Refer to the IntelliDoX[®] manual for details for when and how to install a different Inlet Key.

Honeywell IntelliDoX [®] Accessories	Order Number	Price (USD)
Honeywell IntelliDoX [®] Mobile Case (Standard) supports one or two Honeywell IntelliDoX [®] units and two 34 L cylinders. <i>Honeywell IntelliDoX[®] and Enabler Kit sold separately.</i>	DX-CASE	\$923.00
Honeywell IntelliDoX [®] Mobile Case (Large) supports one or two Honeywell IntelliDoX [®] units and two 58 L cylinders. <i>Honeywell IntelliDoX[®] and Enabler Kit sold separately.</i>	DX-CASE1	\$1,094.00
Honeywell IntelliDoX [®] Single-Inlet Key	DX-SI-KEY	\$111.00
Honeywell IntelliDoX [®] Multi-Inlet Key	DX-MI-KEY	\$357.00
AC power supply for Honeywell IntelliDoX [®] , NA version (North America)	DX-PS-NA	\$271.00
Honeywell IntelliDoX [®] vehicle power adaptor	DX-VPA	\$330.00
Demand flow regulator	REG-DF-1	\$511.00
Demand flow regulator for refillable cylinders, CGA connector	REG-DF-2	\$634.00
Demand flow regulator for disposable steel cylinders	REG-DF-3	\$709.00

Honeywell IntelliDoX [®] Spares & Replacements	Order Number	Price (USD)
Honeywell IntelliDoX [®] universal latch arm (kit of 5)	DX-ARM	\$52.00
Honeywell IntelliDoX [®] universal end plate (kit of 5)	DX-COVER	\$63.00
Honeywell IntelliDoX [®] filters and hoses kit	DX-FILTERS	\$184.00
Honeywell IntelliDoX [®] retractable stand/wall mount (kit of 5)	DX-STAND	\$78.00

Service Made Simple: Pricing is available on the partner portal (www.sps.honeywell.com/partners/safety) for Platinum and Gold Service Contracts, Rental Contracts and On Demand Repair and/or Calibration services. You can learn more about Service Made Simple on the partner portal or by contacting your local Honeywell sales representative.

What's in the Box

Honeywell IntelliDoX® Docking Module

Each Honeywell IntelliDoX® Docking Module package contains:

1. One Honeywell IntelliDoX® module with a factory-installed nest for a compatible portable gas detector, a single-inlet key and an attached end plate
2. Integrated retractable stand / wall mount
3. One printed Quick Reference Guide
4. One CD containing the Honeywell IntelliDoX® Operator's Manual in PDF format

The power adapter, power cord, calibration gas tubing, exhaust tubing and user manual are packaged separately as the Honeywell IntelliDoX® Enabler Kit.

If the Honeywell IntelliDoX® module is damaged or if parts are missing, contact your Honeywell Regional Sales Manager or an authorized distributor immediately.

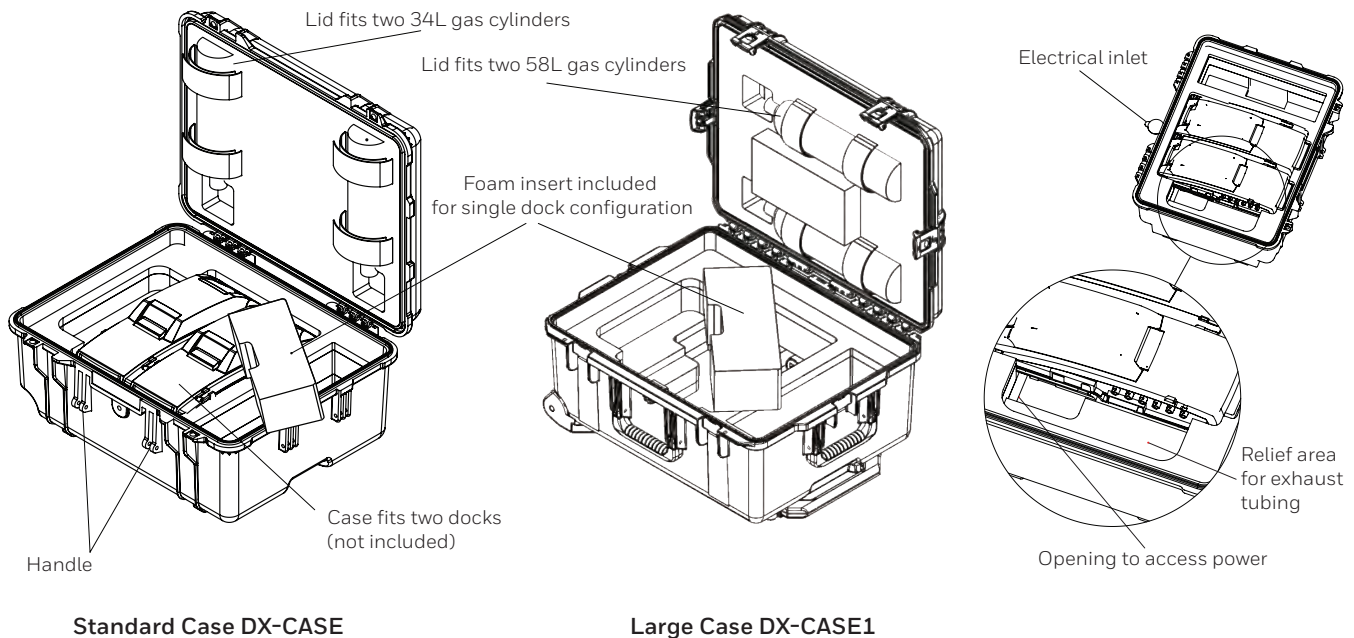
Honeywell IntelliDoX® Enabler Kit

One Enabler Kit is required for each stand-alone Honeywell IntelliDoX® module or gang of up to 5 connected modules.

Each Honeywell IntelliDoX® Enabler Kit package contains:

1. One power supply and AC power cord appropriate to shipping destination
2. One ethernet cable
3. Calibration gas cylinder tubing and purge gas tubing, 4.6 m (15 ft)
4. Quick connect fittings
5. Inlet filters
6. Assorted connectors
7. One printed Quick Reference Guide
8. One CD containing the Honeywell IntelliDoX® Operator Manual in PDF format

If Enabler Kit parts are damaged or missing or if additional Enabler Kits are required, contact your Honeywell Regional Sales Manager or an authorized distributor immediately.





MicroDock II

Automatic Test and Calibration Station

For Honeywell brand portable gas detectors only

Cost effective calibration and bump test management

The MicroDock II is an easy, cost-effective way to bump-test, calibrate, charge and manage records for BW portable gas detectors. With Safety Suite software, download information faster than ever from the MicroDock II. Improved functionality allows you to create accurate and user-friendly reports, print receipts of calibration, sort and graph data, archive information and manage your fleet of detectors. Compliance has never been easier.

Standard Package Contents (included with base station)

- Four replaceable C-cell alkaline batteries
- 128 MB MultiMediaCard (MMC), inserted
- USB cable
- Two to four calibration gas hoses with quick connect fittings (dependant upon base station inlet configuration)
- Inlet filter assembly
- Base station power supply
- Charging module power supply (as specified in charging module configuration)
- MicroDock II Quick Reference Guide
- MicroDock II User Manual CD

Function	Honeywell BW™ MicroClip	GasAlertQuattro	Honeywell BW™ Max XT II	GasAlertMicro 5 Series
Bump check	•	•	•	•
Calibrate	•	•	•	•
Configure	•	•	•	•
Download Events	•	•	•	•
Download Data	•	•	•	•
Charging	•	•	•	•
Non-Charging				•

GENERAL SPECIFICATIONS

SIZE	21.2 cm x 26.3 cm x 8.2 cm (8.3 in x 10.4 in x 3.2 in) base station plus one docking module
POWER SUPPLY	6V wall adaptor or four C-cell batteries
EXTERNAL INTERFACE	USB 2.0 interface for PC (USB 2.0 full speed)
PUMP	DC motor, micro-diaphragm, 6V PCB mount Flow rate 400 ml/min (typically)
SOLENOID	Built-in (docking modules) Base station: - Menu navigation
COMMAND KEYS	Docking module: - One-touch bump-test initiation - One-touch calibration initiation - One-touch data transfer (specific products)
LED INDICATORS	Yellow "TEST", Green "PASS", Red "FAIL"
CERTIFICATIONS AND APPROVALS	<p>Ⓢ Ordinary Location approved IEC 61010 / C22.2 No. 61010</p> <p>CE European Conformity</p>
WARRANTY	Full two-year warranty

MicroDock II

Automatic Test and Calibration Station
For Honeywell brand portable gas detectors only



Module Configuration	Order Number	Price (USD)
Base station with Honeywell BW™ MicroClip XL/XT module (charging) with power supply and 2 inlets	DOCK2-2-1C1P-00-G	\$2,208.00
Base station with Honeywell BW™ MicroClip XL/XT module (charging) with no power supply and 2 inlets	DOCK2-2-1P-00-G	\$2,136.00
Base station with GasAlertQuattro module (charging) with no power supply and 2 inlets	DOCK2-2-1N-00-G	\$2,112.00
Base station with GasAlertQuattro module (charging) with power supply and 2 inlets	DOCK2-2-1C1N-00-G	\$2,184.00
Base station with Honeywell BW™ Max XT II module (charging) with power supply and 2 inlets	DOCK2-2-1C1M-00-G	\$2,208.00
Base station with Honeywell BW™ Max XT II module (charging) with no power supply and 2 inlets	DOCK2-2-1M-00-G	\$2,136.00
Base station with GasAlertMicro 5 Series module (charging) with power supply and 2 inlets*	DOCK2-2-1C1K-00-G	\$2,392.00
Base station with GasAlertMicro 5 Series module (charging) with power supply and 3 inlets*	DOCK2-3-1C1K-00-G	\$3,106.00
Base station with GasAlertMicro 5 Series module (non-charging) with 2 inlets*	DOCK2-2-1J-00-G	\$2,181.00
Base station with GasAlertMicro 5 Series module (non-charging) with 3 inlets*	DOCK2-3-1J-00-G	\$2,895.00

Accessory Docking Modules	Order Number	Price (USD)
Base station with 2 gas inlets without power supply	DOCK2-2-00-G	\$1,422.00
Base station with 3 gas inlets without power supply	DOCK2-3-00-G	\$2,136.00
Base station with 4 gas inlets without power supply	DOCK2-4-00-G	\$2,350.00
Base station with 5 gas inlets without power supply	DOCK2-5-00-G	\$2,564.00
Honeywell BW™ MicroClip XL/XT docking module (charging with power supply)	DOCK2-0-1C1P-00-G	\$787.00
Honeywell BW™ MicroClip XL/XT docking module (charging - no power supply)	DOCK2-0-1P-00-G	\$715.00
GasAlertQuattro docking module (charging - no power supply)	DOCK2-0-1N-00-G	\$691.00
GasAlertQuattro docking module (charging with power supply)	DOCK2-0-1C1N-00-G	\$763.00
Honeywell BW™ Max XT II / Honeywell BW™ Max XT docking module (charging with power supply)	DOCK2-0-1C1M-00-G	\$787.00
Honeywell BW™ Max XT II / Honeywell BW™ Max XT docking module (charging - no power supply)	DOCK2-0-1M-00-G	\$715.00
GasAlertMicro 5 Series docking module (charging with power supply)*	DOCK2-0-1C1K-00-G	\$971.00
GasAlertMicro 5 Series docking module (charging)*	DOCK2-0-1K-00-G	\$899.00
GasAlertMicro 5 Series docking module*	DOCK2-0-1J-00-G	\$760.00

*Not compatible with ClO₂ or O₃.

Note: Listed above are commonly ordered instrument configurations. For more MicroDock II configurations, see pages 96-98. To create a custom MicroDock II system, use the configurator table on the next page or contact Honeywell Analytics for a copy of the electronic pricing and order number configurator. One demand flow regulator must be ordered separately for each gas cylinder used with the system. Systems with one or more charging modules require one additional charging power supply (separate from the base station power supply).

MicroDock II Automatic Test and Calibration Station (continued)

For Honeywell brand portable gas detectors only

MicroDock II Order Number and Pricing Configurator

Base Station		Price (USD)	Total
DOCK2	Base station (with power supply)	\$1,422.00	\$1,422.00
Inlet Configuration			
2	1 fresh air, 1 calibration	No Charge	\$0.00
3	1 fresh air, 2 calibration	\$714.00	\$
4	1 fresh air, 3 calibration	\$928.00	\$
5	1 fresh air, 4 calibration	\$1,142.00	\$
<i>Note: One Demand Flow Regulator must be ordered separately for each bottle of gas to be used with MicroDock II.</i>			
Docking Module Configuration			
Choose up to any 6 docking modules in any combination (e.g. "-1C2K3P-")			
Qty/Code	Description	Qty	Unit Price Total Price
1 C	Charging power supply (required for any charging module(s) selected)		\$72.00 \$
__ D	GasAlert Extreme module(s)*	__x	\$714.00 \$
__ J	GasAlertMicro 5 Series module(s) without charging*	__x	\$759.00 \$
__ K	GasAlertMicro 5 Series module(s) with charging*	__x	\$898.00 \$
__ M	Honeywell BW™ Max XT II module(s) with charging	__x	\$714.00 \$
__ N	GasAlertQuattro module(s) with charging	__x	\$690.00 \$
__ P	Honeywell BW™ MicroClip XL/XT module(s) with charging	__x	\$714.00 \$
<i>*Not compatible with ClO₂ or O₃.</i>			
Portable Kit Configuration			
Choose your portable kit option. Gas sold separately.		Price (USD)	Total Price
00	No kit. Base station and docking module(s) only.	No Charge	\$0.00
Hard Case Kits – Holds 1 base station, 1 docking module and a 34 L cylinder of calibration gas			
01	Kit with 1 DFR (demand flow regulator), no gas	\$614.00	\$
Heavy-duty Case Kits – Holds 1 base station, 1-3 docking module(s) and 1-3 58 L cylinder(s) of calibration gas in a foam-lined, waterproof heavy-duty case			
03	Kit with 1 DFR, no gas	\$1,393.00	\$

DOCK2

9

Price (USD): \$

For example, the order number for a MicroDock II configured with base station, 2 inlets, 1 additional power supply for charging modules, 2 GasAlertMicro 5 Series charging modules, 3 Honeywell BW™ MicroClip XL/XT modules and no portable kit option would be DOCK2-2-1C2K3P-00-G and the price would be 5,432.00.

MicroDock II Automatic Test and Calibration Station (continued)

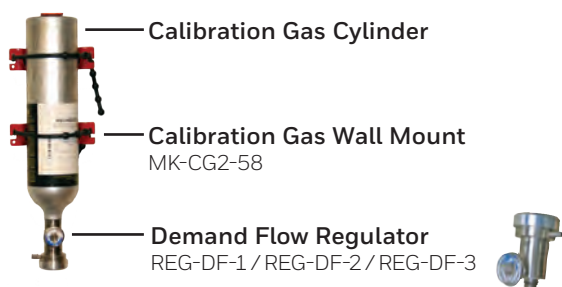
For Honeywell brand portable gas detectors only

Accessories and Spares	Order Number	Price (USD)
Network USB communication device	DOCK2-LAN-1P-NA	\$673.00
Demand flow regulator	REG-DF-1	\$511.00
Demand flow regulator for refillable cylinders, CGA connector	REG-DF-2	\$634.00
Demand flow regulator for disposable steel cylinders	REG-DF-3	\$709.00
Wall mount adaptor (kit of 2) modules and base station	WMA-DOCK	\$42.00
12 Vdc Vehicle adaptor cable for base station power	GA-V-CHRG4	\$33.00
Replacement power supply for charging modules	POWER-UPS-01	\$115.00

Service Parts	Order Number	Price (USD)
Heavy-duty carrying case with wheels with space for three modules and three 58 L gas cylinders	DOCK2-CC2	\$1,558.00
Hard-sided carrying case with space for one module and one 34 L gas cylinder	DOCK2-CC1	\$271.00
Replacement diffusion cover adaptor	DOCK2-DA-1	\$37.00
Replacement GasAlertMicro 5 Series docking module lid assembly	DOCK2-M5LID	\$102.00
Replacement inlet filter	DOCK-IF-1	\$27.00
Replacement multimedia card	DOCK2-MMC	\$60.00
Replacement rubber seal for Honeywell BW™ Max XT II docking module inlet slider	XT-RSD-10	\$42.00

Note: Please refer to the instrument's documentation (shipped with the product or available at www.honeywellanalytics.com) for complete instructions on common service procedures. Improper servicing or maintenance may affect warranty eligibility. Honeywell assumes no liability for damages resulting from improper servicing or maintenance.

Note: For calibration gas and regulators for this product, please see pages 105-106.



Hard Case Kit

Use the configurator table on the prior page to create a custom MicroDock II hard case kit (gas sold separately)



Network USB
DOCK2-LAN-1P-NA



Vehicle Adaptor, 12 Vdc
GA-V-CHRG4
Vehicle adaptor cable for base station power



Heavy-duty Case Kit

Use the configurator table on the prior page to create a custom MicroDock II heavy-duty case kit (gas sold separately)



Wall Mounts
WMA-DOCK
One kit (two mounts) required to mount each module or base station

Connected Worker Solutions

- 76 Honeywell Safety Suite
- 80 Safety and Productivity Apps



Connected Worker Solutions

- 76 Honeywell Safety Suite
- 80 Safety and Productivity Apps





Connected Worker Solutions

Software offerings that keep your workers safer and make the maintenance of your portable gas detectors more efficient and cost-effective

Honeywell offers several solutions for increasing worker safety and more effectively managing your portable gas detectors using connected (including wireless) instruments and the Honeywell productivity software described below. From changing alarm thresholds to real-time monitoring of gas exposure events, these solutions can keep workers safer, enable in-the-field changes to instrument operation and provide immediate notification of the status and location of workers.



Connected Worker Solution	Description	Application
Honeywell Safety Suite Deluxe (page 76)	Advanced fleet management and event reporting for your BW and RAE portable gas detectors	On-premise and cloud-based fleet management software optimized for plant customers, capable of simultaneously supporting multiple locations and managing BW and RAE detectors
Honeywell Safety Suite Premium (page 77)	Enables real time visibility for worker safety in plants and remote locations in addition to advanced fleet management capabilities	On-premise and cloud-based real-time monitoring and fleet management system optimized for plant customers
Honeywell Safety Suite Responder Deluxe (page 78)	Advanced fleet management and event reporting for your BW and RAE portable gas detectors for emergency response teams.	On-premise and cloud-based fleet management software capable of managing both BW and RAE portable detectors and optimized for emergency responders
Honeywell Safety Suite Responder Premium (page 79)	Enables real time visibility for worker safety in emergency response situations in addition to advanced fleet management capabilities	On-premise and cloud-based real-time monitoring and fleet management system optimized for emergency responders
Safety Communicator App (page 80)	Smartphone and tablet app that enables real-time communication between wireless BW and RAE portable gas detectors and a remote monitoring system	Personal communication hub which collects instrument readings and alarms from BW and RAE portable detectors over Bluetooth (BLE) and transmits in real time to a remote system over a 3G/4G cellular communications network
Device Configurator App (page 80)	Smartphone and tablet app for managing device configurations, updating firmware and downloading and sharing data for wireless BW and RAE portable gas detectors	Real-time, anywhere access and configuration of BW and RAE portable detectors
Honeywell BW™ Connect (page 81)	Instrument accessory for adding wireless capabilities (BLE) to non-wireless BW multi-gas portable gas detectors	Add wireless communications to the Honeywell BW™ MicroClip Series and the Honeywell BW™ Max XT II portable detectors

Honeywell Safety Suite

Automated Fleet Management

Honeywell Safety Suite (SS) Deluxe

On-premise and cloud based software that allows safety managers at plants to maintain and track their fleet of devices so that they can be reliably used to protect workers and assets.

- Historical System Dashboard
- Comprehensive Reporting and Repository
- Historical Event Notifications
- Scheduled Task Automation
- Device Event and Data Management
- Device Configuration & Firmware Update
- Device Calibration and Bump Test
- Large Multi-Site Fleet Management



You can evaluate Safety Suite by signing up for a free trial at: <https://ss.honeywell.com/#/trial>

Subscription Based Pricing	Order Number	Price (USD)
1 Deluxe Device License, 1-Year Subscription	SS-200-01-0000001	\$25.00
1 Deluxe Device License, 2-Year Subscription	SS-200-02-0000001	\$50.00
1 Deluxe Device License, 3-Year Subscription	SS-200-03-0000001	\$68.00
1 Deluxe Device License, 5-Year Subscription	SS-200-05-0000001	\$106.00

Discount

1 to 500: 0%
 501 to 1,000: 5%
 1,001 to 2,500: 10%
 2,501 to 5,000: 15%

Note

- Licensed by Total Active Device count
- One sales order per end customer
- Volume discount applied per sales order

Data Integration Service (SDK)	Order Number	Price (USD)
1 Deluxe Device SDK License, 1-Year Subscription	SS-200-01-0000002	\$13.00
1 Deluxe Device SDK License, 2-Year Subscription	SS-200-02-0000002	\$25.00
1 Deluxe Device SDK License, 3-Year Subscription	SS-200-03-0000002	\$34.00
1 Deluxe Device SDK License, 5-Year Subscription	SS-200-05-0000002	\$53.00

Note: Add-on option to the deluxe subscription, license count should be the same as deluxe subscription

Professional Services	Order Number	Price (USD)
Professional Services Daily Rate	SS-000-00-0000001	\$2,000.00
Professional Services T&E Estimate	SS-000-00-0000002	\$938.00

Note: Minimum 2 day engagement, T&E expenses are billed at actuals Note: Minimum 2 day engagement, T&E expenses are billed at actuals

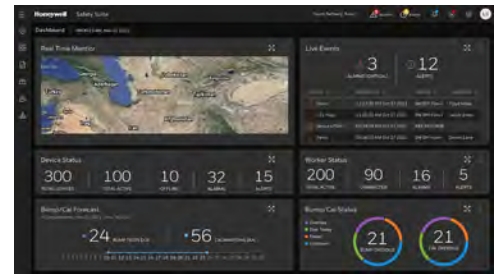
Honeywell Safety Suite

Real Time Monitoring for Plant Customers

Honeywell Safety Suite (SS) Premium

Highly configurable, feature-rich on-premise and cloud-based software designed for plant customers that allows safety managers to remotely MONITOR SAFETY of workers & assets, COLLABORATE and make real-time DECISIONS. In addition to all the features provided by Safety Suite Deluxe, Safety Suite Premium supports the following features.

- Real-time System Dashboard
- Real-time Instrument Readings
- Map-View for Worker Location
- On-Screen Alarms/ Alerts
- SMS Communication
- Multiple Sites/ Areas
- Incident Playback
- Plume Modeling
- Automated Notifications via Email & SMS



You can evaluate Safety Suite by signing up for a free trial at: <https://ss.honeywell.com/#/trial>

Subscription Based Pricing	Order Number	Price (USD)
1 Premium Device License, 1-Year Subscription	SS-400-01-0000001	\$100.00
1 Premium Device License, 2-Year Subscription	SS-400-02-0000001	\$200.00
1 Premium Device License, 3-Year Subscription	SS-400-03-0000001	\$270.00
1 Premium Device License, 5-Year Subscription	SS-400-05-0000001	\$425.00
1 Premium Device SDK License, 3-Month Subscription	SS-400-3M-0000001	\$44.00
1 Premium Device SDK License, 6-Month Subscription	SS-400-6M-0000001	\$69.00
1 Premium Device SDK License, 9-Month Subscription	SS-400-9M-0000001	\$94.00

Discount

1 to 50: 0%
 51 to 100: 5%
 101 to 500: 10%
 501 to 1,000: 15%

Note

- Licensed by Total Active Device count
- One sales order per end customer
- Volume discount applied per sales order

Data Integration Service (SDK)	Order Number	Price (USD)
1 Premium Device SDK License, 1-Year Subscription	SS-400-01-0000002	\$50.00
1 Premium Device SDK License, 2-Year Subscription	SS-400-02-0000002	\$100.00
1 Premium Device SDK License, 3-Year Subscription	SS-400-03-0000002	\$135.00
1 Premium Device SDK License, 5-Year Subscription	SS-400-05-0000002	\$213.00

Note: Add-on option to the premium subscription, license count should be the same as premium subscription

Professional Services	Order Number	Price (USD)
Professional Services Daily Rate	SS-000-00-0000001	\$2,000.00
Professional Services T&E Estimate	SS-000-00-0000002	\$938.00

Note: Minimum 2 day engagement, T&E expenses are billed at actuals

Honeywell Safety Suite

Automated Fleet Management for Emergency Responders

Honeywell Safety Suite Responder (SSR) Deluxe

On-premise and cloud based software that allows safety managers at plants to maintain and track their fleet of devices so that they can be reliably used to protect workers and assets.

- Historical System Dashboard
- Comprehensive Reporting and Repository
- Historical Event Notifications
- Scheduled Task Automation
- Device Event and Data Management
- Device Configuration & Firmware Update
- Device Calibration and Bump Test



You can evaluate Safety Suite by signing up for a free trial at: <https://ss.honeywell.com/#/trial>

Subscription Based Pricing	Order Number	Price (USD)
1 Deluxe Device Responder License, 1-Year Subscription	SS-300-01-0000001	\$25.00
1 Deluxe Device Responder License, 2-Year Subscription	SS-300-02-0000001	\$50.00
1 Deluxe Device Responder License, 3-Year Subscription	SS-300-03-0000001	\$68.00
1 Deluxe Device Responder License, 5-Year Subscription	SS-300-05-0000001	\$106.00

Discount
 1 to 500: 0%
 501 to 1,000: 5%
 1,001 to 2,500: 10%
 2,501 to 5,000: 15%

- Note**
- Licensed by Total Active Device count
 - One sales order per end customer
 - Volume discount applied per sales order

Data Integration Service (SDK)	Order Number	Price (USD)
1 Deluxe Device Responder SDK License, 1-Year Subscription	SS-300-01-0000002	\$13.00
1 Deluxe Device Responder SDK License, 2-Year Subscription	SS-300-02-0000002	\$25.00
1 Deluxe Device Responder SDK License, 3-Year Subscription	SS-300-03-0000002	\$34.00
1 Deluxe Device Responder SDK License, 5-Year Subscription	SS-300-05-0000002	\$53.00

Note: Add-on option to the deluxe subscription, license count should be the same as deluxe subscription

Professional Services	Order Number	Price (USD)
Professional Services Daily Rate	SS-000-00-0000001	\$2,000.00
Professional Services T&E Estimate	SS-000-00-0000002	\$938.00

Note: Minimum 2 day engagement, T&E expenses are billed at actuals Note: Minimum 2 day engagement, T&E expenses are billed at actuals

Honeywell Safety Suite

Real Time Monitoring for Emergency Responders

Honeywell Safety Suite Responder (SSR) Premium

Simplified on-premise and cloud-based software optimized for first responders that allows incident commanders to remotely MONITOR SAFETY of their team, COLLABORATE and make real-time DECISIONS.

In addition to all the features provided by Safety Suite Responder Deluxe, Safety Suite Responder Premium supports the following features.

- Real-time Instrument Readings
- Map-View for Worker Location
- On-Screen Alarms/ Alerts
- SMS Communication
- Incident Playback
- Plume Modeling
- Automated Notifications via Email & SMS



You can evaluate Safety Suite Responder by signing up for a free trial at: <https://ss.honeywell.com/#/trial>

Subscription Based Pricing	Order Number	Price (USD)
1 Premium Device Responder License, 1-Year Subscription	SS-500-01-0000001	\$100.00
1 Premium Device Responder License, 2-Year Subscription	SS-500-02-0000001	\$200.00
1 Premium Device Responder License, 3-Year Subscription	SS-500-03-0000001	\$270.00
1 Premium Device Responder License, 5-Year Subscription	SS-500-05-0000001	\$425.00

Discount

1 to 50: 0%
 51 to 100: 5%
 101 to 500: 10%
 501 to 1,000: 15%

Note

- Licensed by Total Active Device count
- One sales order per end customer
- Volume discount applied per sales order

Data Integration Service (SDK)	Order Number	Price (USD)
1 Premium Device Responder SDK License, 1-Year Subscription	SS-500-01-0000002	\$50.00
1 Premium Device Responder SDK License, 2-Year Subscription	SS-500-02-0000002	\$100.00
1 Premium Device Responder SDK License, 3-Year Subscription	SS-500-03-0000002	\$135.00
1 Premium Device Responder SDK License, 5-Year Subscription	SS-500-05-0000002	\$213.00

Note: Add-on option to the premium subscription, license count should be the same as premium subscription

Professional Services	Order Number	Price (USD)
Professional Services Daily Rate	SS-000-00-0000001	\$2,000.00
Professional Services T&E Estimate	SS-000-00-0000002	\$938.00

Note: Minimum 2 day engagement, T&E expenses are billed at actuals

Safety and Productivity Apps

Honeywell has developed the following apps for use with your Apple or Android devices. These apps use a Bluetooth® connection to pair with one or more portable gas detectors to:

- allow you to view existing device configuration and alarm information
- change device configurations
- forward device alarms and associated information to monitoring applications such as Safety Suite
- provide enhanced functionality such as Panic Alarms



The apps work with Bluetooth/Bluetooth Low Energy (BLE) capable Honeywell portable gas detectors from BW and RAE. Some detectors have the wireless capability built-in, either by default or as an option. These detectors can be directly paired with an Apple or Android smartphone or tablet. Other detectors, such as the Honeywell BW™ MicroClip Series or the Honeywell BW™ Max XT II, can use the new Honeywell BW™ Connect wireless accessory to pair with the smartphone or tablet. The Honeywell BW™ Connect conveniently attaches to the back of these detectors and provides the wireless interface between the detector and Apple or Android device.

These apps currently support a number of BW and RAE portable detectors and more are being added. Consult your Honeywell Regional Sales Manager for details.

Safety Communicator App

Personal information and communication hub

Safety Communicator (SC) is an app for both industrial-grade and non-industrial-grade smartphones and tablets. Available for both Android and iOS devices, it enables real-time communication between a worker's personal safety instruments and a remote monitoring system—such as Safety Suite Real Time. The Android/iOS device and app act as a personal communication hub for a worker, which collects instrument readings and alarms from instruments over Bluetooth (BLE) and transmits in real time to a remote system over a 3G/4G cellular communication network. To further promote worker safety, the app also transmits a worker's information and location to the remote system, which allows safety managers to quickly react and provide necessary assistance in case of an emergency.



**Free App Downloads. Note: A license is required for each connection to Safety Suite Real Time*



Device Configurator App

Mobile Device Management

Configurator (DC) is a mobile app for tablets and smartphones for managing device configurations, updating firmware and downloading and sharing data. DC enables you to provide:

- enhanced safety, by ensuring detector firmware and settings are up-to-date.
- better productivity, through efficient access to device information, easier device configuration and maintenance and on-demand data sharing.
- improved compliance, using immediate access to device configuration change history and data logs.



**Free App Downloads.*



Safety and Productivity Apps

Honeywell BW™ Connect

Real-Time Visibility Meets Full-Time Compliance*

While Honeywell BW™ Connect is an accessory, not an app, it works hand-in-hand with our apps to provide wireless capabilities to non-wireless BW portable detectors.

With the new Honeywell BW™ Connect, you can transform your dependable BW gas detectors into wireless devices in the blink of an eye—this adapter can be attached quickly to your current detectors and paired with a smartphone or tablet via Bluetooth.



An easy-to-use, cost-effective addition compatible with the Honeywell Safety Communicator and Device Configurator apps, Honeywell BW™ Connect grants real-time visibility of your workers' safety status and location so you have confidence that you can maintain complete situational awareness and full compliance.

Honeywell is giving compliance-focused customers an easy, affordable way to bring connectivity to their existing fleet of reliable BW multi-gas detectors. With the Honeywell BW™ Connect, workers have real-time situational awareness with real-time visibility on gas detectors to proactively ensure safety, compliance and productivity.

- Monitor gas detector readings from anywhere with real-time monitoring software
- More accurate decisions knowing the location of the worker
- Alarm notifications
- Compliance level, notification of bump and calibration level provided through software

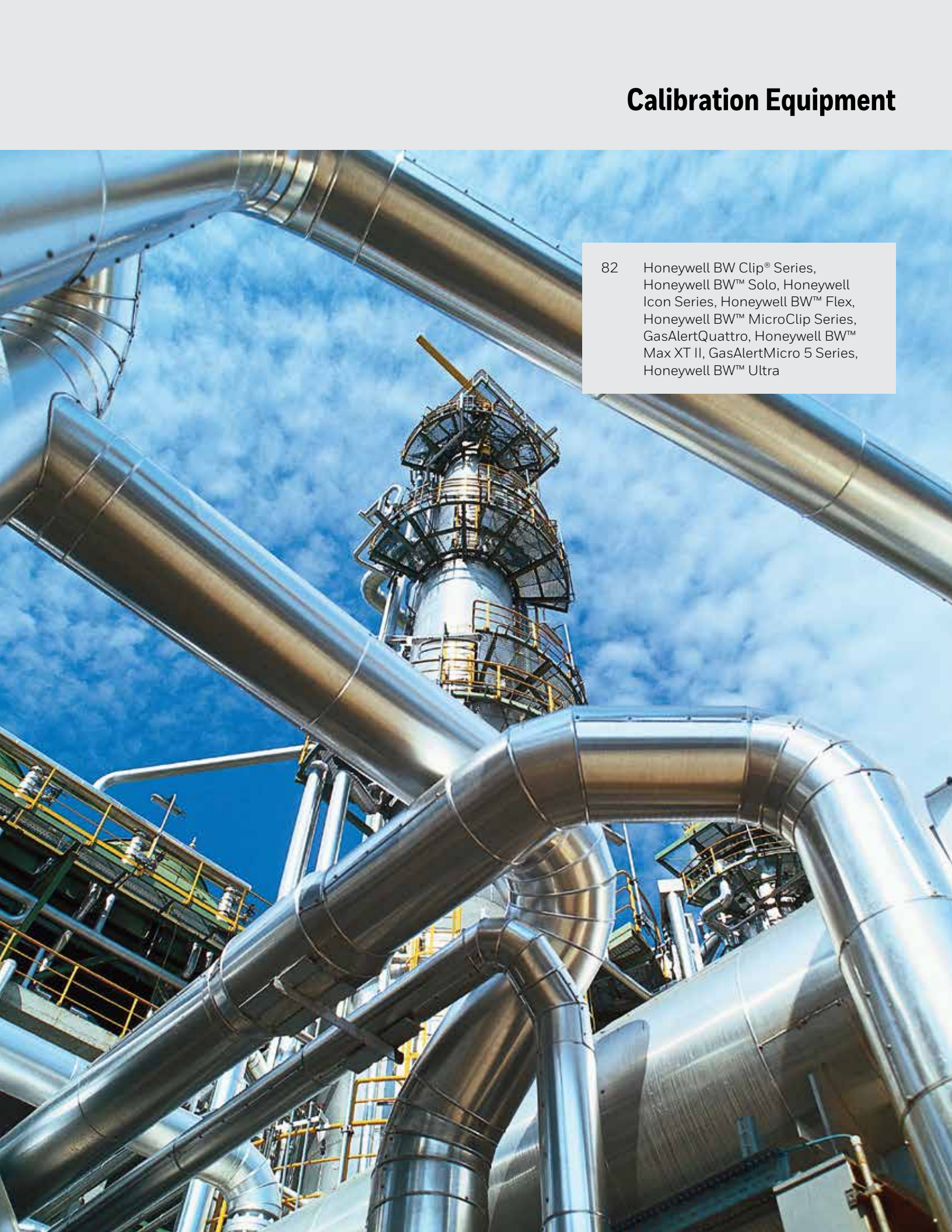
Honeywell BW™ Connect is compatible with the following BW multi-gas detectors:

- Honeywell BW™ MicroClip XL
- Honeywell BW™ MicroClip X3
- Honeywell BW™ Max XT II

Wireless Connectivity	Order Number	Price (USD)
Honeywell BW™ Connect wireless adapter	BW-CONNECT	\$73.00

**Note: A license is required to connect to real-time monitoring solutions such as Safety Suite.*

Calibration Equipment



82 Honeywell BW Clip® Series, Honeywell BW™ Solo, Honeywell Icon Series, Honeywell BW™ Flex, Honeywell BW™ MicroClip Series, GasAlertQuattro, Honeywell BW™ Max XT II, GasAlertMicro 5 Series, Honeywell BW™ Ultra

Calibration Equipment

82 Honeywell BW Clip® Series, Honeywell BW™ Solo, Honeywell Icon Series, Honeywell BW™ Flex, Honeywell BW™ MicroClip Series, GasAlertQuattro, Honeywell BW™ Max XT II, GasAlertMicro 5 Series, Honeywell BW™ Ultra



Calibration Equipment

- Honeywell BW Clip® Series
- Honeywell BW™ Solo
- Honeywell BW™ Icon
- Honeywell BW™ Flex
- Honeywell BW™ MicroClip Series
- Honeywell BW™ Clip4
- GasAlertQuattro
- Honeywell BW™ Max XT II
- GasAlertMicro 5 Series
- Honeywell BW™ Ultra



Quint Gas Cylinders (5-gas mix)	Cylinder Material	Regulator	Liters	Shelf Life (Warranty)	Order Number	Price (USD)
CH ₄ (2.5%), O ₂ (18%), H ₂ S (25 ppm), CO (100 ppm), CO ₂ (0.5%)	Aluminum	REG-DF-1 or REG-0.5	34	24 months	CG-QT34-1	\$325.00
CH ₄ (2.5%), O ₂ (18%), H ₂ S (25 ppm), CO (100 ppm), CO ₂ (0.5%)	Aluminum	REG-DF-1 or REG-0.5	58	24 months	CG-QT58-1	\$474.00

Quad Gas Cylinders (4-gas mix)	Cylinder Material	Regulator	Liters	Shelf Life (Warranty)	Order Number	Price (USD)
CH ₄ (2.5%), O ₂ (18%), H ₂ S (25 ppm), CO (100 ppm)	Aluminum	REG-DF-1 or REG-0.5	34	24 months	CG-Q34-4	\$244.00
CH ₄ (2.5%), O ₂ (18%), H ₂ S (25 ppm), CO (100 ppm)	Aluminum	REG-DF-1 or REG-0.5	58	24 months	CG-Q58-4	\$299.00
CH ₄ (1.25%, 50 %LEL, pentane equivalent), O ₂ (18%), H ₂ S (25 ppm), CO (100 ppm)	Aluminum	REG-DF-1 or REG-0.5	34	24 months	CG-Q34-4JK	\$216.00
CH ₄ (1.25%, 50 %LEL, pentane equivalent), O ₂ (18%), H ₂ S (25 ppm), CO (100 ppm)	Aluminum	REG-DF-1 or REG-0.5	58	24 months	CG-Q58-4JK	\$299.00

Triple Gas Cylinders (3-gas mixes)	Cylinder Material	Regulator	Liters	Shelf Life (Warranty)	Order Number	Price (USD)
CO (100 ppm), CH ₄ (2.5 %LEL), O ₂ (18%)	Steel	REG-DF-3 or REG2-0.5	34	36 months	CG-TR34-1	\$90.00
CO (100 ppm), CH ₄ (2.5 %LEL), O ₂ (18%)	Steel	REG-DF-1 or REG-0.5	103	36 months	CG-TR103-1	\$209.00
H ₂ S (25 ppm), CH ₄ (2.5 %LEL), O ₂ (19%)	Aluminum	REG-DF-1 or REG-0.5	58	24 months	CG-JXH	\$374.00

Dual Gas Cylinders (2-gas mix)	Cylinder Material	Regulator	Liters	Shelf Life (Warranty)	Order Number	Price (USD)
CH ₄ (2.5%, 50%LEL), O ₂ (18%)	Aluminum	REG-DF-1 or REG-0.5	58	36 months	CG2-JX-58	\$258.00

Note: Regulators sold separately. For a complete list of available Calibration Equipment, refer to the Full Product Index on pages 99-101. For ClO₂ and O₃ gas options, contact Honeywell Analytics Service.

Calibration Equipment (continued)

For Honeywell brand portable gas detectors only: Honeywell BW Clip® Series, Honeywell BW™ Solo, Honeywell BW™ Icon, Honeywell BW™ Flex, Honeywell BW™ MicroClip Series, Honeywell BW™ Clip4, GasAlertQuattro, Honeywell BW™ Max XT II, GasAlertMicro 5 Series and Honeywell BW™ Ultra

Single Gas Cylinders	Cylinder Material	Regulator	Liters	Shelf Life (Warranty)	Order Number	Price (USD)
Ammonia (NH ₃ , 100 ppm)	Aluminum	REG-DF-1 or REG-1.0	58	18 months	CG2-A-100-58	\$488.00
Ammonia (NH ₃ , 50 ppm)	Aluminum	REG-DF-1 or REG-1.0	34	18 months	CG2-A-50-34	\$374.00
Ammonia (NH ₃ , 50 ppm)	Aluminum	REG-DF-1 or REG-1.0	58	18 months	CG2-A-50-58	\$508.00
Carbon dioxide (CO ₂ , 1% Vol/10,000 ppm)	Steel	REG-DF-3 or REG2-0.5	34	36 months	CG2-B-10K-34	\$258.00
Carbon dioxide (CO ₂ , 5000 ppm)	Steel	REG-DF-3 or REG2-0.5	34	36 months	600-0139-000	\$112.00
Carbon monoxide (CO, 100 ppm)	Steel	REG-DF-3 or REG2-0.5	34	36 months	CG2-M-100-34	\$83.00
Carbon monoxide (CO, 100 ppm)	Aluminum	REG-DF-1 or REG-0.5	58	36 months	CG2-M-100-58	\$238.00
Carbon monoxide (CO, 100 ppm)	Aluminum	REG-DF-1 or REG-0.5	103	36 months	CG2-M-100-103	\$209.00
Chlorine (Cl ₂ , 10 ppm)	Aluminum	REG-DF-1 or REG-1.0	34	9 months	CG2-C-10-34	\$374.00
Chlorine (Cl ₂ , 2 ppm)	Aluminum	REG-DF-1 or REG-1.0	34	9 months	CG2-C-2-34	\$374.00
Chlorine (Cl ₂ , 5 ppm)	Aluminum	REG-DF-1 or REG-1.0	34	9 months	CG2-C-5-34	\$374.00
Chlorine (Cl ₂ , 5 ppm)	Aluminum	REG-DF-1 or REG-1.0	58	9 months	CG2-C-5-58	\$522.00
Ethylene oxide (ETO / C ₂ H ₄ O, 10 ppm)	Aluminum	REG-DF-1 or REG-1.0	58	12 months	CG2-E-10-58	\$508.00
Hydrogen (H ₂ , 200 ppm) balance air, 34 L	Steel	REG-DF-3 or REG2-0.5	34	24 months	CG-H2-200-34	\$112.00
Hydrogen (H ₂ , 2%)	Steel	REG-DF-1 or REG-0.5	103	36 months	CG2-F-2.0-103	\$204.00
Hydrogen chloride (HCl, 10 ppm)	Aluminum	REG-DF-1 or REG-0.5	58	12 months	CG2-L-10	\$508.00
Hydrogen cyanide (HCN, 10 ppm)	Aluminum	REG-DF-1 or REG-0.5	34	18 months	CG2-Z-10-34	\$374.00
Hydrogen cyanide (HCN, 10 ppm)	Aluminum	REG-DF-1 or REG-0.5	58	24 months	CG2-Z-10-58	\$508.00
Hydrogen sulfide (H ₂ S, 25 ppm)	Aluminum	REG-DF-1 or REG-0.5	34	24 months	CG2-H-25-34	\$218.00
Hydrogen sulfide (H ₂ S, 25 ppm)	Aluminum	REG-DF-1 or REG-0.5	58	24 months	CG3-H-25-58	\$258.00
Hydrogen sulfide (H ₂ S, 25 ppm)	Aluminum	REG-DF-1 or REG-0.5	58	24 months	G0042-H25	\$258.00
Hydrogen sulfide (H ₂ S, 50 ppm)	Aluminum	REG-DF-1 or REG-0.5	58	24 months	CG2-H-50-58	\$238.00
Isobutylene (100 ppm)	Aluminum	REG-DF-1 or REG-0.5	34	36 months	CG2-IB-100-34AL	\$204.00
Isobutylene (100 ppm)	Aluminum	REG-DF-1 or REG-0.5	58	36 months	CG2-IB-100-58AL	\$238.00
Methane (CH ₄ , 2.5% Vol/50 %LEL)	Steel	REG-DF-3 or REG2-0.5	34	36 months	CG2-J-2.5-34	\$83.00
Methane (CH ₄ , 2.5% Vol/50 %LEL)	Aluminum	REG-DF-1 or REG-0.5	34	36 months	CG2-J-2.5-34AL	\$184.00
Methane (CH ₄ , 2.5% Vol/50 %LEL)	Aluminum	REG-DF-1 or REG-0.5	58	36 months	CG2-J-2.5-58	\$258.00
Methane (CH ₄ , 2.5% Vol/50 %LEL)	Steel	REG-DF-1 or REG-0.5	103	36 months	CG2-J-2.5	\$184.00
Nitric oxide (NO, 50 ppm)	Aluminum	REG-DF-1 or REG-0.5	34	18 months	CG2-N-50-34	\$374.00
Nitrogen dioxide (NO ₂ , 10 ppm)	Aluminum	REG-DF-1 or REG-1.0	34	6 months	CG2-D-10-34	\$374.00
Nitrogen dioxide (NO ₂ , 25 ppm)	Aluminum	REG-DF-1 or REG-1.0	34	6 months	CG2-D-25-34	\$374.00
Oxygen (O ₂ , 18%)	Steel	REG-DF-3 or REG2-0.5	34	36 months	CG2-X-18.0-34	\$83.00
Pentane (C ₅ H ₁₂ , 0.75% Vol/50 %LEL)	Steel	REG-DF-3 or REG2-0.5	34	36 months	CG2-K-0.75-34	\$83.00
Phosphine (PH ₃ , 1 ppm)	Aluminum	REG-DF-1 or REG-0.5	34	18 months	CG2-P-1-34	\$508.00
Propane (C ₃ H ₈ , 1% Vol/50 %LEL)	Steel	REG-DF-3 or REG2-0.5	34	36 months	CG2-R-1.0-34	\$83.00
Sulfur dioxide (SO ₂ , 10 ppm)	Aluminum	REG-DF-1 or REG-0.5	34	24 months	CG2-S-10-34	\$204.00
Sulfur dioxide (SO ₂ , 10 ppm)	Aluminum	REG-DF-1 or REG-0.5	58	24 months	CG2-S-10-58	\$251.00
Sulfur dioxide (SO ₂ , 20 ppm)	Aluminum	REG-DF-1 or REG-0.5	34	24 months	CG2-S-20-34	\$204.00
Sulfur dioxide (SO ₂ , 20 ppm)	Aluminum	REG-DF-1 or REG-0.5	58	24 months	CG2-S-20-58	\$244.00
Sulfur dioxide (SO ₂ , 25 ppm)	Aluminum	REG-DF-1 or REG-0.5	58	24 months	CG2-S-25	\$244.00
Zero air	Steel	REG-DF-3 or REG2-0.5	34	36 months	CG-ZERO-34	\$83.00
Zero air	Steel	REG-DF-1 or REG-0.5	103	36 months	CG-ZERO	\$178.00

Note: Regulators sold separately. For a complete list of available Calibration Equipment, refer to the Full Product Index on pages 99-101. For ClO₂ and O₃ gas options, contact Honeywell Analytics Service.

Calibration Equipment (continued)

For Honeywell brand portable gas detectors only: Honeywell BW Clip® Series, Honeywell BW™ Solo, Honeywell BW™ Icon, Honeywell BW™ Flex, Honeywell BW™ MicroClip Series, Honeywell BW™ Clip4, GasAlertQuattro, Honeywell BW™ Max XT II, GasAlertMicro 5 Series and Honeywell BW™ Ultra

Test Gases	Cylinder Material	Liters	Shelf Life (Warranty)	Order Number	Price (USD)
Bump alarm test gas aerosol H ₂ S (100 ppm)	Aluminum	11	6 months	CG-BUMP-H25	\$90.00
Bump alarm test gas aerosol CO (100 ppm)	Aluminum	11	12 months	CG-BUMP-M100	\$90.00
Bump alarm test gas aerosol H ₂ S (100 ppm), CO (200 ppm), CH ₄ (2.5%), O ₂ (10%)	Aluminum	11	6 months	CG-BUMP1	\$90.00
Spare balloon assembly kit with hose (1/8 in I.D., 3/16 in O.D.) and adaptor for bump gas	-	-	-	CG-BUMP-B-K	\$25.00

Note: H₂S concentrations in bump gas cylinders degrade rapidly due to the properties of these cylinders. While these cylinders might initially come with H₂S concentrations of 100 ppm, they could lose up to 60% of that concentration in 12 months (users may see only 40 ppm after 12 months). Bump gas cylinders are used for qualitative functional testing of sensors and alarms only. Bump gases cannot be used as calibration gases.

For bump testing detectors with ClO₂ and O₃ sensors, recommended methods are to use a gas generator whenever possible to produce the necessary level of the test gas. If a generator is not available, the following may be used with the proper verification that the proxy gas type produces the same result as the target gas. Cl₂ can be used as a proxy for both ClO₂ & O₃ sensors. ClO₂: 1 PPM Cl₂ = 0.6 PPM ClO₂ O₃: 1 PPM Cl₂ = 1.2 PPM O₃

Calibration Hoses	Order Number	Price (USD)
Calibration hose, Tygon (0.3 m (1 ft), 1/8 in I.D., 1/4 in O.D.)	C2-HOSE1-1	\$10.00
Calibration hose, Tygon (1.5 m (5 ft), 1/8 in I.D., 1/4 in O.D.)	C2-HOSE1-5	\$25.00
Calibration hose, Tygon (3 m (10 ft), 1/8 in I.D., 1/4 in O.D.)	C2-HOSE1-10	\$42.00
Connector fitting for Teflon®-lined hose (C2-HOSE4-1)	C2-CF-HOSE4	\$25.00

Regulators and Accessories	Order Number	Price (USD)
Calibration gas regulator (0.5 LPM)	REG-0.5	\$228.00
Calibration gas regulator (0.5 LPM)	REG2-0.5	\$241.00
Calibration gas regulator (1.0 LPM)	REG-1.0	\$225.00
Demand flow regulator for disposable cylinders	REG-DF-1	\$511.00
Demand flow regulator for refillable cylinders, CGA connector	REG-DF-2	\$634.00
Demand flow regulator for disposable steel cylinders	REG-DF-3	\$709.00
Recycle kit for calibration gas cylinders	CG-RK-1	\$241.00
Wall mount (adjustable) for 34 L, 58 L or 103 L gas cylinders, red	MK-CG2-58	\$129.00
58 L or 34 L calibration cylinder blue carrying case	CK2-CASE1	\$106.00
Spare balloons for bump gas (kit of 10)	CG-BUMP-B	\$17.00

Note: Honeywell IntelliDoX® and MicroDock II requires a REG-DF-1. Aerosols do not require regulators.

Full Product Index

- 86 Single-Gas Detectors
- 90 Multi-Gas Detectors
- 99 Docking, Testing and Data Management
- 102 Connected Worker Solutions
- 103 Calibration Equipment
- 105 General Accessories, Replacements, Spares and Service Parts



Full Product Index

- 86 Single-Gas Detectors
- 90 Multi-Gas Detectors
- 99 Docking, Testing and Data Management
- 102 Connected Worker Solutions
- 103 Calibration Equipment
- 105 General Accessories, Replacements, Spares and Service Parts



Full Product Index

Single-Gas Detectors

Honeywell BW Clip® Single-Gas Detector	Order Number	Price (USD)
Hydrogen sulfide (H ₂ S), 2-year (10 ppm low, 15 ppm high), yellow housing	BWC2-H	\$138.00
Hydrogen sulfide (H ₂ S), 2-year (10 ppm low, 15 ppm high), black housing	BWC2-H-B	\$234.00
Hydrogen sulfide (H ₂ S), 2-year (10 ppm low, 10 ppm high), yellow housing	BWC2-H10	\$249.00
Hydrogen sulfide (H ₂ S), 2-year (1.6 ppm low, 3.2 ppm high), yellow housing	BWC2-H1632	\$249.00
Hydrogen sulfide (H ₂ S), 2-year (1.6 ppm low, 5 ppm high), yellow housing	BWC2-H1650	\$249.00
Hydrogen sulfide (H ₂ S), 2-year (3 ppm low, 5 ppm high), yellow housing	BWC2-H35	\$249.00
Hydrogen sulfide (H ₂ S), 2-year (5 ppm low, 5 ppm high), yellow housing	BWC2-H5	\$249.00
Hydrogen sulfide (H ₂ S), 2-year (5 ppm low, 10 ppm high), yellow housing	BWC2-H510	\$220.00
Hydrogen sulfide (H ₂ S), 2-year (5 ppm low, 10 ppm high), black housing	BWC2-H510-B	\$249.00
Hydrogen sulfide (H ₂ S), 2-year (5 ppm low, 15 ppm high), yellow housing	BWC2-H515	\$221.00
Hydrogen sulfide (H ₂ S), 2-year (7 ppm low, 7 ppm high), yellow housing	BWC2-H7	\$249.00
Hydrogen sulfide (H ₂ S), 2-year (7 ppm low, 10 ppm high), yellow housing	BWC2-H710	\$249.00
Hydrogen sulfide (H ₂ S), 2-year (7 ppm low, 14 ppm high), yellow housing	BWC2-H714	\$249.00
Hydrogen sulfide (H ₂ S), 2-year (10 ppm low, 15 ppm high), bulk pack of 50 detectors, yellow housing	BWC2-H-B50	\$6,555.00
Carbon monoxide (CO), 2-year (35 ppm low, 200 ppm high), yellow housing	BWC2-M	\$138.00
Carbon monoxide (CO), 2-year (35 ppm low, 200 ppm high), black housing	BWC2-M-B	\$234.00
Carbon monoxide (CO), 2-year (10 ppm low, 50 ppm high), yellow housing	BWC2-M1050	\$249.00
Carbon monoxide (CO), 2-year (10 ppm low, 200 ppm high), yellow housing	BWC2-M10200	\$249.00
Carbon monoxide (CO), 2-year (20 ppm low, 50 ppm high), yellow housing	BWC2-M2050	\$249.00
Carbon monoxide (CO), 2-year (25 ppm low, 50 ppm high), yellow housing	BWC2-M2550	\$234.00
Carbon monoxide (CO), 2-year (25 ppm low, 75 ppm high), yellow housing	BWC2-M2575	\$221.00
Carbon monoxide (CO), 2-year (25 ppm low, 100 ppm high), yellow housing	BWC2-M25100	\$234.00
Carbon monoxide (CO), 2-year (30 ppm low, 60 ppm high), yellow housing	BWC2-M3060	\$249.00
Carbon monoxide (CO), 2-year (30 ppm low, 100 ppm high), yellow housing	BWC2-M30100	\$249.00
Carbon monoxide (CO), 2-year (30 ppm low, 200 ppm high), yellow housing	BWC2-M30200	\$249.00
Carbon monoxide (CO), 2-year (50 ppm low, 50 ppm high), yellow housing	BWC2-M50	\$249.00
Carbon monoxide (CO), 2-year (50 ppm low, 100 ppm high), yellow housing	BWC2-M50100	\$249.00
Carbon monoxide (CO), 2-year (50 ppm low, 200 ppm high), yellow housing	BWC2-M50200	\$234.00
Carbon monoxide (CO), 2-year (100 ppm low, 100 ppm high), yellow housing	BWC2-M100	\$249.00
Carbon monoxide (CO), 2-year (35 ppm low, 200 ppm high), bulk pack of 50 detectors, yellow housing	BWC2-M-B50	\$12,299.00
Sulfur dioxide (SO ₂), 2-year (5 ppm low, 10 ppm high), yellow housing	BWC2-S	\$360.00
Sulfur dioxide (SO ₂), 2-year (5 ppm low, 10 ppm high), black housing	BWC2-S-B	\$374.00
Sulfur dioxide (SO ₂), 2-year (2 ppm low, 4 ppm high), yellow housing	BWC2-S24	\$360.00
Sulfur dioxide (SO ₂), 2-year (2 ppm low, 5 ppm high), yellow housing	BWC2-S25	\$360.00
Oxygen (O ₂), 2-year (19.5% low, 23.5% Vol. high), yellow housing	BWC2-X	\$138.00
Oxygen (O ₂), 2-year (19.5% low, 23.5% Vol. high), black housing	BWC2-X-B	\$234.00
Hydrogen sulfide (H ₂ S), 3-year (1.6 ppm low, 3.2 ppm high), yellow housing	BWC3-H1.63.2	\$355.00
Hydrogen sulfide (H ₂ S), 3-year (10 ppm low, 15 ppm high), yellow housing	BWC3-H	\$279.00
Hydrogen sulfide (H ₂ S), 3-year (10 ppm low, 15 ppm high), black housing	BWC3-H-B	\$295.00
Hydrogen sulfide (H ₂ S), 3-year (10 ppm low, 10 ppm high), yellow housing	BWC3-H1010	\$314.00
Hydrogen sulfide (H ₂ S), 3-year (2 ppm low, 7 ppm high), yellow housing	BWC3-H27	\$314.00
Hydrogen sulfide (H ₂ S), 3-year (5 ppm low, 5 ppm high), yellow housing	BWC3-H5	\$314.00
Hydrogen sulfide (H ₂ S), 3-year (5 ppm low, 10 ppm high), yellow housing	BWC3-H510	\$279.00
Hydrogen sulfide (H ₂ S), 3-year (10 ppm low, 15 ppm high), bulk pack of 50 detectors, yellow housing	BWC3-H-B50	\$15,467.00
Carbon monoxide (CO), 3-year (35 ppm low, 200 ppm high), yellow housing	BWC3-M	\$279.00
Carbon monoxide (CO), 3-year (35 ppm low, 200 ppm high), black housing	BWC3-M-B	\$295.00
Carbon monoxide (CO), 3-year (15 ppm low, 35 ppm high), yellow housing	BWC3-M1535	\$314.00
Carbon monoxide (CO), 3-year (25 ppm low, 50 ppm high), yellow housing	BWC3-M2550	\$314.00

Full Product Index (continued)

Honeywell BW Clip® Single-Gas Detector	Order Number	Price (USD)
Carbon monoxide (CO), 3-year (25 ppm low, 75 ppm high), yellow housing	BWC3-M2575	\$314.00
Carbon monoxide (CO), 3-year (25 ppm low, 100 ppm high), yellow housing	BWC3-M25100	\$314.00
Carbon monoxide (CO), 3-year (25 ppm low, 150 ppm high), yellow housing	BWC3-M25150	\$314.00
Carbon monoxide (CO), 3-year (30 ppm low, 60 ppm high), yellow housing	BWC3-M3060	\$314.00
Carbon monoxide (CO), 3-year (30 ppm low, 200 ppm high), yellow housing	BWC3-M30200	\$314.00
Carbon monoxide (CO), 3-year (50 ppm low, 100 ppm high), yellow housing	BWC3-M50100	\$314.00
Carbon monoxide (CO), 3-year (50 ppm low, 200 ppm high), yellow housing	BWC3-M50200	\$295.00
Carbon monoxide (CO), 3-year (35 ppm low, 200 ppm high), bulk pack of 50 detectors, yellow housing	BWC3-M-B50	\$15,467.00

Honeywell BW Clip® Real Time Single-Gas Detector	Order Number	Price (USD)
Hydrogen sulfide (H ₂ S), 2-year (10 ppm low, 15 ppm high), real-time display, yellow housing	BWC2R-H	\$275.00
Hydrogen sulfide (H ₂ S), 2-year (10 ppm low, 15 ppm high), real-time display, black housing	BWC2R-H-B	\$281.00
Hydrogen sulfide (H ₂ S), 2-year (1.6 ppm low, 5 ppm high), real-time display, yellow housing	BWC2R-H1.65	\$281.00
Hydrogen sulfide (H ₂ S), 2-year (3 ppm low, 5 ppm high), real-time display, yellow housing	BWC2R-H35	\$281.00
Hydrogen sulfide (H ₂ S), 2-year (5 ppm low, 10 ppm high), real-time display, yellow housing	BWC2R-H510	\$275.00
Hydrogen sulfide (H ₂ S), 2-year (5 ppm low, 15 ppm high), real-time display, yellow housing	BWC2R-H515	\$281.00
Hydrogen sulfide (H ₂ S), 2-year (7 ppm low, 7 ppm high), real-time display, yellow housing	BWC2R-H7	\$281.00
Carbon monoxide (CO), 2-year (35 ppm low, 200 ppm high), real-time display, yellow housing	BWC2R-M	\$275.00
Carbon monoxide (CO), 2-year (35 ppm low, 200 ppm high), real-time display, black housing	BWC2R-M-B	\$281.00
Carbon monoxide (CO), 2-year (10 ppm low, 20 ppm high), real-time display, yellow housing	BWC2R-M1020	\$281.00
Carbon monoxide (CO), 2-year (10 ppm low, 25 ppm high), real-time display, yellow housing	BWC2R-M1025	\$281.00
Carbon monoxide (CO), 2-year (20 ppm low, 50 ppm high), real-time display, yellow housing	BWC2R-M2050	\$281.00
Carbon monoxide (CO), 2-year (25 ppm low, 100 ppm high), real-time display, yellow housing	BWC2R-M25100	\$275.00
Carbon monoxide (CO), 2-year (25 ppm low, 50 ppm high), real-time display, yellow housing	BWC2R-M2550	\$281.00
Carbon monoxide (CO), 2-year (30 ppm low, 200 ppm high), real-time display, yellow housing	BWC2R-M30200	\$281.00
Carbon monoxide (CO), 2-year (30 ppm low, 60 ppm high), real-time display, yellow housing	BWC2R-M3060	\$281.00
Carbon monoxide (CO), 2-year (35 ppm low, 100 ppm high), real-time display, yellow housing	BWC2R-M35100	\$281.00
Carbon monoxide (CO), 2-year (50 ppm low, 100 ppm high), real-time display, yellow housing	BWC2R-M50100	\$281.00
Carbon monoxide (CO), 2-year (50 ppm low, 200 ppm high), real-time display, yellow housing	BWC2R-M50200	\$275.00
Sulfur dioxide (SO ₂), 2-year (5 ppm low, 10 ppm high), real-time display, yellow housing	BWC2R-S	\$448.00
Sulfur dioxide (SO ₂), 2-year (5 ppm low, 10 ppm high), real-time display, black housing	BWC2R-S-B	\$456.00
Sulfur dioxide (SO ₂), 2-year (2 ppm low, 4 ppm high), real-time display, yellow housing	BWC2R-S24	\$448.00
Oxygen (O ₂), 2-year (19.5% low, 23.5% high), real-time display, yellow housing	BWC2R-X	\$275.00
Oxygen (O ₂), 2-year (19.5% low, 23.5% high), real-time display, black housing	BWC2R-X-B	\$281.00
Oxygen (O ₂), 2-year (19.5% low, 22% high), real-time display, yellow housing	BWC2R-X19.522	\$281.00
Oxygen (O ₂), 2-year (19.5% low, 22.5% high), real-time display, yellow housing	BWC2R-X19.522.5	\$281.00
Hydrogen sulfide (H ₂ S), 3-year (10 ppm low, 15 ppm high), real-time display, yellow housing	BWC3R-H	\$347.00
Hydrogen sulfide (H ₂ S), 3-year (10 ppm low, 15 ppm high), real-time display, black housing	BWC3R-H-B	\$355.00
Hydrogen sulfide (H ₂ S), 3-year (5 ppm low, 10 ppm high), real-time display, yellow housing	BWC3R-H510	\$355.00
Carbon monoxide (CO), 3-year (35 ppm low, 200 ppm high), real-time display, yellow housing	BWC3R-M	\$347.00
Carbon monoxide (CO), 3-year (35 ppm low, 200 ppm high), real-time display, black housing	BWC3R-M-B	\$355.00
Carbon monoxide (CO), 3-year (20 ppm low, 50 ppm high), real-time display, yellow housing	BWC3R-M2050	\$355.00
Carbon monoxide (CO), 3-year (30 ppm low, 200 ppm high), real-time display, yellow housing	BWC3R-M30200	\$355.00
Carbon monoxide (CO), 3-year (50 ppm low, 100 ppm high), real-time display, yellow housing	BWC3R-M50100	\$355.00
Carbon monoxide (CO), 3-year (50 ppm low, 200 ppm high), real-time display, yellow housing	BWC3R-M50200	\$355.00

Honeywell BW Clip® Series Accessories	Order Number	Price (USD)
Hibernation case for Honeywell BW Clip® Series	CLIPHB-CASE	\$23.00
Hibernation case for Honeywell BW Clip® Series (50-unit bulk package)	CLIPHB-CASE-B50	\$947.00

Honeywell BW™ Solo Serviceable Single-Gas Detector, Wireless	Order Number	Price (USD)
Ammonia (NH ₃) (extended range), wireless, black housing	BWS1-A2-B	\$696.00
Ammonia (NH ₃) (extended range), wireless, yellow housing	BWS1-A2-Y	\$696.00
Ammonia (NH ₃), wireless, black housing	BWS1-A-B	\$665.00
Ammonia (NH ₃), wireless, yellow housing	BWS1-A-Y	\$665.00
Carbon dioxide (CO ₂), wireless, black housing	BWS1-BL-B	\$630.00
Carbon dioxide (CO ₂), wireless, yellow housing	BWS1-BL-Y	\$630.00
Chlorine (Cl ₂), wireless, black housing	BWS1-C-B	\$549.00
Chlorine (Cl ₂), wireless, yellow housing	BWS1-C-Y	\$549.00
Nitrogen dioxide (NO ₂), wireless, black housing	BWS1-D-B	\$549.00
Nitrogen dioxide (NO ₂), wireless, yellow housing	BWS1-D-Y	\$549.00
Ethylene oxide (ETO) (C ₂ H ₄ O), wireless, black housing	BWS1-E-B	\$753.00

Full Product Index (continued)

Honeywell BW™ Solo Serviceable Single-Gas Detector, Wireless	Order Number	Price (USD)
Ethylene oxide (ETO) (C ₂ H ₄ O), wireless, yellow housing	BWS1-E-Y	\$753.00
Ozone (O ₃), wireless, black housing	BWS1-G-B	\$928.00
Ozone (O ₃), wireless, yellow housing	BWS1-G-Y	\$928.00
Hydrogen sulfide (H ₂ S) (extended range), wireless, black housing	BWS1-H2-B	\$432.00
Hydrogen sulfide (H ₂ S) (extended range), wireless, yellow housing	BWS1-H2-Y	\$432.00
Hydrogen sulfide (H ₂ S), wireless, black housing	BWS1-HL-B	\$450.00
Hydrogen sulfide (H ₂ S), wireless, yellow housing	BWS1-HL-Y	\$450.00
Carbon monoxide (CO-H), H ₂ resistant, wireless, black housing	BWS1-M2-B	\$549.00
Carbon monoxide (CO-H), H ₂ resistant, wireless, yellow housing	BWS1-M2-Y	\$549.00
Carbon monoxide (CO), wireless, black housing	BWS1-ML-B	\$450.00
Carbon monoxide (CO), wireless, yellow housing	BWS1-ML-Y	\$450.00
Nitric oxide (NO), wireless, black housing	BWS1-N-B	\$549.00
Nitric oxide (NO), wireless, yellow housing	BWS1-N-Y	\$549.00
Phosphine (PH ₃), wireless, black housing	BWS1-P-B	\$549.00
Phosphine (PH ₃), wireless, yellow housing	BWS1-P-Y	\$549.00
Hydrogen (H ₂), wireless, black housing	BWS1-R-B	\$758.00
Hydrogen (H ₂), wireless, yellow housing	BWS1-R-Y	\$758.00
Sulfur dioxide (SO ₂), wireless, black housing	BWS1-S-B	\$549.00
Sulfur dioxide (SO ₂), wireless, yellow housing	BWS1-S-Y	\$549.00
Chlorine dioxide (ClO ₂), wireless, black housing	BWS1-V-B	\$549.00
Chlorine dioxide (ClO ₂), wireless, yellow housing	BWS1-V-Y	\$549.00
Oxygen (O ₂), wireless, black housing	BWS1-XL-B	\$450.00
Oxygen (O ₂), wireless, yellow housing	BWS1-XL-Y	\$450.00
Hydrogen cyanide (HCN), wireless, black housing	BWS1-Z-B	\$549.00
Hydrogen cyanide (HCN), wireless, yellow housing	BWS1-Z-Y	\$549.00
Hydrogen chloride (HCl), wireless, black housing	BWS1-HC-B	\$838.00
Hydrogen chloride (HCl), wireless, yellow housing	BWS1-HC-Y	\$729.00
Hydrogen fluoride (HF), wireless, black housing	BWS1-HF-B	\$861.00
Hydrogen fluoride (HF), wireless, yellow housing	BWS1-HF-Y	\$749.00
Honeywell BW™ Solo Replacements, Spares and Service Parts	Order Number	Price (USD)
Replacement test/calibration cap	BWS-TC-1	\$22.00
Replacement 4-Series front cover	BWS-4C-1	\$23.00
Replacement 4-Series sensor fixer kit Includes one sensor sealing ring, one sensor fixer with metal insert and four sensor fixer screws	BWS-4SC-1	\$17.00
Replacement battery	BWS-BAT01	\$23.00
Replacement back shell, yellow	BWS-BC1	\$38.00
Replacement back shell, black	BWS-BC1B	\$38.00
Replacement battery cover kit, non-wireless	BWS-BH-1	\$40.00
Replacement battery cover kit, wireless	BWS-BH-2	\$40.00
Replacement front shell	BWS-FC1	\$40.00
Replacement buzzer sealing ring	BWS-HS-1	\$11.00
Replacement LCD	BWS-LCD	\$27.00
Replacement 1-Series sensor o-rings (kit of 10)	BWS-ORING-1S-K1	\$10.00
Replacement 4-Series sensor sealing rings (kit of 10)	BWS-ORING-4S-K1	\$12.00
Replacement sensor fixer screws (kit of 25)	BWS-SCREW-K1	\$19.00
Replacement sensor screens (kit of 10)	BWS-SS	\$32.00
Replacement 1-Series front cover	BWS-WC-1	\$22.00
Replacement 1-Series sensor fixer kit - Includes one sensor o-ring, one sensor fixer and four sensor fixer screws	BWS-WSC-1	\$17.00

Full Product Index (continued)

Honeywell BW™ Solo Replacements, Spares and Service Parts	Order Number	Price (USD)
Replacement PCB, ammonia (NH ₃), extended range, wireless	BWS1-A2-PCB1	\$589.00
Replacement PCB, ammonia (NH ₃), wireless	BWS1-A-PCB1	\$567.00
Replacement PCB, carbon dioxide (CO ₂), wireless	BWS1-BL-PCB1	\$444.00
Replacement PCB, chlorine (Cl ₂), wireless	BWS1-C-PCB1	\$474.00
Replacement PCB, nitrogen dioxide (NO ₂), wireless	BWS1-D-PCB1	\$474.00
Replacement PCB, ethylene oxide (ETO), wireless	BWS1-E-PCB1	\$634.00
Replacement PCB, ozone (O ₃), wireless	BWS1-G-PCB1	\$770.00
Replacement PCB, hydrogen sulfide (H ₂ S), wireless	BWS1-HL-PCB1	\$398.00
Replacement PCB, hydrogen sulfide (H ₂ S), extended range, wireless	BWS1-H-2-PCB1	\$355.00
Replacement PCB, carbon monoxide, hydrogen (H ₂) resistant (CO-H), wireless	BWS1-M2-PCB1	\$474.00
Replacement PCB, carbon monoxide (CO), wireless	BWS1-ML-PCB1	\$398.00
Replacement PCB, nitric oxide (NO), wireless	BWS1-N-PCB1	\$474.00
Replacement PCB, phosphine (PH ₃), wireless	BWS1-P-PCB1	\$474.00
Replacement PCB, hydrogen (H ₂), wireless	BWS1-R-PCB1	\$638.00
Replacement PCB, sulfur dioxide (SO ₂), wireless	BWS1-S-PCB1	\$474.00
Replacement PCB, chlorine dioxide (ClO ₂), wireless	BWS1-V-PCB1	\$474.00
Replacement PCB, oxygen (O ₂), wireless	BWS1-XL-PCB1	\$398.00
Replacement PCB, hydrogen cyanide (HCN), wireless	BWS1-Z-PCB1	\$474.00
Replacement PCB, ammonia (NH ₃), extended range, non-wireless	BWS-A2-PCB1	\$543.00
Replacement PCB, ammonia (NH ₃), non-wireless	BWS-A-PCB1	\$520.00
Replacement PCB, carbon dioxide (CO ₂), non-wireless	BWS-BL-PCB1	\$398.00
Replacement PCB, chlorine (Cl ₂), non-wireless	BWS-C-PCB1	\$429.00
Replacement PCB, nitrogen dioxide (NO ₂), non-wireless	BWS-D-PCB1	\$429.00
Replacement PCB, ethylene oxide (ETO), non-wireless	BWS-E-PCB1	\$589.00
Replacement PCB, ozone (O ₃), non-wireless	BWS-G-PCB1	\$726.00
Replacement PCB, hydrogen sulfide (H ₂ S), extended range, non-wireless	BWS-H-2-PCB1	\$313.00
Replacement PCB, hydrogen sulfide (H ₂ S), non-wireless	BWS-HL-PCB1	\$353.00
Replacement PCB, carbon monoxide, hydrogen (H ₂) resistant (CO-H), non-wireless	BWS-M2-PCB1	\$429.00
Replacement PCB, carbon monoxide (CO), non-wireless	BWS-ML-PCB1	\$353.00
Replacement PCB, nitric oxide (NO), non-wireless	BWS-N-PCB1	\$429.00
Replacement PCB, phosphine (PH ₃), non-wireless	BWS-P-PCB1	\$429.00
Replacement PCB, hydrogen (H ₂), non-wireless	BWS-R-PCB1	\$593.00
Replacement PCB, sulfur dioxide (SO ₂), non-wireless	BWS-S-PCB1	\$429.00
Replacement PCB, chlorine dioxide (ClO ₂), non-wireless	BWS-V-PCB1	\$429.00
Replacement PCB, oxygen (O ₂), non-wireless	BWS-XL-PCB1	\$353.00
Replacement PCB, hydrogen cyanide (HCN), non-wireless	BWS-Z-PCB1	\$457.00

Full Product Index (continued)

Honeywell BW™ Solo Replacements, Spares and Service Parts	Order Number	Price (USD)
Replacement gas label, ammonia (NH ₃)	BWS-A-LABEL	\$9.00
Replacement gas label, chlorine (Cl ₂)	BWS-C-LABEL	\$9.00
Replacement gas label, nitrogen dioxide (NO ₂)	BWS-D-LABEL	\$9.00
Replacement gas label, ethylene oxide (ETO)	BWS-E-LABEL	\$9.00
Replacement gas label, ozone (O ₃)	BWS-G-LABEL	\$9.00
Replacement gas label, hydrogen sulfide (H ₂ S)	BWS-H-LABEL	\$9.00
Replacement gas label, carbon monoxide, hydrogen (H ₂) resistant (CO-H)	BWS-M2-LABEL	\$9.00
Replacement gas label, carbon monoxide (CO)	BWS-M-LABEL	\$9.00
Replacement gas label, carbon dioxide (CO ₂)	BWS-B-LABEL	\$9.00
Replacement gas label, nitric oxide (NO)	BWS-N-LABEL	\$9.00
Replacement gas label, phosphine (PH ₃)	BWS-P-LABEL	\$9.00
Replacement gas label, hydrogen (H ₂)	BWS-R-LABEL	\$9.00
Replacement gas label, sulfur dioxide (SO ₂)	BWS-S-LABEL	\$9.00
Replacement gas label, chlorine dioxide (ClO ₂)	BWS-V-LABEL	\$9.00
Replacement gas label, oxygen (O ₂)	BWS-X-LABEL	\$9.00
Replacement gas label, hydrogen cyanide (HCN)	BWS-Z-LABEL	\$9.00

Honeywell Transmission Risk Air Monitor	Order Number	Price (USD)
Honeywell Transmission Risk Air Monitor-V2, white, with first year SW license included	HTRAM-V2-W	\$280.00
Honeywell Transmission Risk Air Monitor charging/power adapter - USC version	HTRAM-AD-USC	\$19.00
Honeywell Transmission Risk Air Monitor Wall Mount Kit	HTRAM-WM-ALL	\$47.00
Honeywell Transmission Risk Air Monitor - Extended Warranty 2 Years	HTRAM-EXTW-2Y	\$83.00
Honeywell Transmission Risk Air Monitor - Additional 1 year SW license	HTRAM-SSRT-1YSA	\$35.00
Honeywell Transmission Risk Air Monitor - Additional 2 year SW license	HTRAM-SSRT-2YSA	\$70.00
Honeywell Transmission Risk Air Monitor - Additional 3 year SW license	HTRAM-SSRT-3YSA	\$105.00
Honeywell Transmission Risk Air Monitor - Additional 4 year SW license	HTRAM-SSRT-4YSA	\$140.00
Honeywell Transmission Risk Air Monitor - Installation Service	SVC-INST-HTRAMV2	\$440.00

Multi-Gas Detectors

Honeywell BW™ Icon, Fixed-life	Order Number		Price (USD)
	Black	Yellow	
%LEL(IR), Oxygen (O ₂), Hydrogen sulfide (H ₂ S), Carbon monoxide (CO)	ICON-B-H	ICON-Y-H	\$437.00
%LEL(IR), Oxygen (O ₂), Hydrogen sulfide (H ₂ S), Sulfur dioxide (SO ₂)	ICON-B-S	ICON-Y-S	\$483.00

Honeywell BW™ Icon+ 4-Gas Detector, Serviceable	Order Number		Price (USD)
	Black	Yellow	
%LEL(IR), Oxygen (O ₂), Hydrogen sulfide (H ₂ S), Carbon monoxide (CO)	CP-I-W5X1H1M1-B-00	CP-I-W5X1H1M1-Y-00	\$638.00
%LEL(IR), Oxygen (O ₂), Hydrogen sulfide (H ₂ S), Sulfur dioxide (SO ₂)	CP-I-W5X1H1S3-B-00	CP-I-W5X1H1S3-Y-00	\$706.00

Honeywell BW™ Icon+ 3-Gas Detector, Serviceable	Order Number		Price (USD)
	Black	Yellow	
%LEL(IR), Oxygen (O ₂), Hydrogen sulfide (H ₂ S)	CP-I-W5X1H100-B-00	CP-I-W5X1H100-Y-00	\$557.00
%LEL(IR), Oxygen (O ₂), Carbon monoxide (CO)	CP-I-W5X100M1-B-00	CP-I-W5X100M1-Y-00	\$557.00
%LEL(IR), Hydrogen sulfide (H ₂ S), Carbon monoxide (CO)	CP-I-W500H1M1-B-00	CP-I-W500H1M1-Y-00	\$557.00
Oxygen (O ₂), Hydrogen sulfide (H ₂ S), Carbon monoxide (CO)	CP-I-00X1H1M1-B-00	CP-I-00X1H1M1-Y-00	\$557.00
%LEL(IR), Oxygen (O ₂), Sulfur dioxide (SO ₂)	CP-I-W5X100S3-B-00	CP-I-W5X100S3-Y-00	\$627.00
%LEL(IR), Hydrogen sulfide (H ₂ S), Sulfur dioxide (SO ₂)	CP-I-W500H1S3-B-00	CP-I-W500H1S3-Y-00	\$627.00
Oxygen (O ₂), Hydrogen sulfide (H ₂ S), Sulfur dioxide (SO ₂)	CP-I-00X1H1S3-B-00	CP-I-00X1H1S3-Y-00	\$627.00

Honeywell BW™ Icon+ 2-Gas Detector, Serviceable	Order Number		Price (USD)
	Black	Yellow	
%LEL(IR), Oxygen (O ₂)	CP-I-W5X10000-B-00	CP-I-W5X10000-Y-00	\$472.00
%LEL(IR), Hydrogen sulfide (H ₂ S)	CP-I-W500H100-B-00	CP-I-W500H100-Y-00	\$472.00
%LEL(IR), Carbon monoxide (CO)	CP-I-W50000M1-B-00	CP-I-W50000M1-Y-00	\$472.00
Hydrogen sulfide (H ₂ S), Carbon monoxide (CO)	CP-I-0000H1M1-B-00	CP-I-0000H1M1-Y-00	\$472.00
Oxygen (O ₂), Hydrogen sulfide (H ₂ S)	CP-I-00X1H100-B-00	CP-I-00X1H100-Y-00	\$472.00
Oxygen (O ₂), Carbon monoxide (CO)	CP-I-00X100M1-B-00	CP-I-00X100M1-Y-00	\$472.00
%LEL(IR), Sulfur dioxide (SO ₂)	CP-I-W50000S3-B-00	CP-I-W50000S3-Y-00	\$541.00

Full Product Index (continued)

Honeywell BW™ Icon+ 2-Gas Detector, Serviceable	Order Number		Price (USD)
	Black	Yellow	
Hydrogen sulfide (H ₂ S), Sulfur dioxide (SO ₂)	CP-I-0000H1S3-B-00	CP-I-0000H1S3-Y-00	\$541.00
Oxygen (O ₂), Sulfur dioxide (SO ₂)	CP-I-00X100S3-B-00	CP-I-00X100S3-Y-00	\$541.00

Honeywell BW™ Icon+ 1-Gas Detector, Serviceable	Order Number		Price (USD)
	Black	Yellow	
%LEL(IR)	CP-I-W5000000-B-00	CP-I-W5000000-Y-00	\$419.00
Oxygen (O ₂)	CP-I-00X10000-B-00	CP-I-00X10000-Y-00	\$419.00
Hydrogen sulfide (H ₂ S)	CP-I-0000H100-B-00	CP-I-0000H100-Y-00	\$419.00
Carbon monoxide (CO)	CP-I-000000M1-B-00	CP-I-000000M1-Y-00	\$419.00
Sulfur dioxide (SO ₂)	CP-I-000000S3-B-00	CP-I-000000S3-Y-00	\$488.00

Honeywell BW™ Icon/Icon+ Charging & IR Accessories	Order Number	Price (USD)
Mains 5-way charger, BW Icon/Flex	GA-PA-1-MC5-NA	\$155.00
USB Charger Cable	CP-USB	\$27.00
5-way cradle charger, BW Icon/Icon+	CP-C01-5	\$345.00
IR connectivity kit	GA-USB1-IR	\$125.00
12 Vdc to 24 Vdc vehicle power adaptor	GA-VPA-1	\$52.00
12 Vdc to 24 Vdc direct-wire power adaptor	GA-PA-3	\$64.00
Replacement wall outlet power adaptor	GA-PA-1-NA	\$26.00

Honeywell BW™ Icon/Icon+ External Filters and Aspirator Pump	Order Number	Price (USD)
External Auxiliary Filter Kit - CO	CP-AF-K1	\$20.00
External Auxiliary Filter Kit - SO ₂	CP-AF-K2	\$20.00
Replacement External Filters (1.0 pc)	CP-SS-AF-K1	\$32.00
Manual aspirator pump kit with probe and filter (0.3 m (1 ft))	GA-AS02	\$155.00

Honeywell BW™ Icon/Icon+ Carrying Accessories	Order Number	Price (USD)
Neck strap with safety release	GA-NS-1	\$25.00
Short strap 15.2 cm (6 in)	GA-LY-1	\$17.00
Extension strap 1.2 m (4 ft)	GA-ES-1	\$60.00
Chest harness	GA-CH-2	\$102.00

Honeywell BW™ Icon/Icon+ Service Spares	Order Number	Price (USD)
Replacement sensor membrane - kit of 4 (1 full unit)	CP-SS	\$27.00
Replacement sensor membrane - kit of 20 (5 full units)	CP-SS-K1	\$70.00
Replacement front enclosure, BW™ Icon	CP-FC1	\$123.00
Replacement front enclosure, BW™ Icon+	CP-FC2	\$123.00
Main PCB analog with bat & screws	CP-MPCB1	\$422.00
Replacement back shell, Yellow	CP-BC1	\$70.00
Replacement back shell, Black	CP-BC1B	\$70.00
Replacement screws (20 pc)	CP-SCREW-K1	\$14.00
Replacement vibration motor	CP-VM-1	\$22.00
Replacement sensor label pack, BW™ Icon	CP-LBL-1	\$13.00
Replacement sensor label pack, BW™ Icon+	CP-LBL-2	\$13.00
Replacement Battery	CP-BAT	\$59.00
Replacement alligator clip	CP-AG	\$27.00
Replacement klickfast stud	CP-KF	\$38.00
Replacement sensor frame	CP-SF1	\$70.00
Calibration cap and hose, Icon/Flex	CP-TC-1	\$17.00

Honeywell BW Icon+ Replacement Sensors	Order Number	Price (USD)
Dummy sensor (1-Series)	SR-DUMM-1S	\$23.00
Replacement hydrogen sulfide (H ₂ S) sensor (1-Series)	SR-H1-1S	\$339.00
Replacement carbon monoxide (CO) sensor (1-Series)	SR-M1-1S	\$339.00
Replacement sulfur dioxide (SO ₂) sensor (1-Series)	SR-S3-1S	\$261.00
Replacement combustible (LEL) IR sensor (1-Series)	SR-W5-1S	\$288.00
Replacement oxygen (O ₂) sensor (1-Series)	SR-X1-1S	\$271.00

Full Product Index (continued)

Honeywell BW™ Flex4		Order Number	Price (USD)
		Black	Yellow
%LEL(IR), Oxygen (O ₂), Hydrogen sulfide (H ₂ S), Carbon monoxide (CO)		CPD-W5X1H1M1-B-00	CPD-W5X1H1M1-Y-00
%LEL(IR), Oxygen (O ₂), Hydrogen sulfide (H ₂ S), Sulfur dioxide (SO ₂)		CPD-W5X1H1S3-B-00	CPD-W5X1H1S3-Y-00
%LEL(IR), Oxygen (O ₂), Sulfur dioxide (SO ₂), Carbon monoxide (CO)		CPD-W5X1S3M1-B-00	CPD-W5X1S3M1-Y-00
Honeywell BW™ Flex4 (Filtered Catalytic LEL)		Order Number	Price (USD)
		Black	Yellow
%LEL(F), Oxygen (O ₂), Hydrogen sulfide (H ₂ S), Carbon monoxide (CO)		CPD-W6X1H1M1-B-00	CPD-W6X1H1M1-Y-00
%LEL(F), Oxygen (O ₂), Hydrogen sulfide (H ₂ S), Sulfur dioxide (SO ₂)		CPD-W6X1H1S3-B-00	CPD-W6X1H1S3-Y-00
%LEL(F), Oxygen (O ₂), Sulfur dioxide (SO ₂), Carbon monoxide (CO)		CPD-W6X1S3M1-B-00	CPD-W6X1S3M1-Y-00
Honeywell BW™ Flex4 (Unfiltered Catalytic LEL)		Order Number	Price (USD)
		Black	Yellow
%LEL(UF), Oxygen (O ₂), Hydrogen sulfide (H ₂ S), Carbon monoxide (CO)		CPD-W7X1H1M1-B-00	CPD-W7X1H1M1-Y-00
%LEL(UF), Oxygen (O ₂), Hydrogen sulfide (H ₂ S), Sulfur dioxide (SO ₂)		CPD-W7X1H1S3-B-00	CPD-W7X1H1S3-Y-00
%LEL(UF), Oxygen (O ₂), Sulfur dioxide (SO ₂), Carbon monoxide (CO)		CPD-W7X1S3M1-B-00	CPD-W7X1S3M1-Y-00
Honeywell BW™ Flex4 Service Parts		Order Number	Price (USD)
Replacement sensor membrane - kit of 4 (1 full unit)		CP-SS	\$27.00
Replacement sensor membrane - kit of 20 (5 full units)		CP-SS-K1	\$70.00
Replacement front enclosure		CP-FC3	\$46.00
Replacement PCB		CP-MPCB4	\$365.00
Replacement back shell, Yellow		CP-BC1	\$70.00
Replacement back shell, Black		CP-BC1B	\$70.00
Replacement screws (20 pc)		CP-SCREW-K1	\$14.00
Replacement vibration motor		CP-VM-1	\$22.00
Replacement sensor label pack		CP-LBL-3	\$22.00
Replacement Battery		CP-BAT	\$59.00
Replacement Alligator Clip		CP-AG	\$27.00
Replacement Klickfast Stud		CP-KF	\$38.00
Replacement LCD Kit		CP-LCD-K1	\$73.00
Replacement LCD frame		CP-SF2	\$17.00
Honeywell BW™ Flex4 Replacement Sensors		Order Number	Price (USD)
Replacement LEL IR sensor, 1 Series (digital)		SR-W5-1S	\$288.00
Replacement LEL sensor, Filtered		SR-W6-1S	\$339.00
Replacement LEL sensor, Unfiltered		SR-W7-1S	\$339.00
Replacement O ₂ sensor, 1 Series		SR-X1-1S	\$271.00
Replacement H ₂ S sensor, 1 Series		SR-H1-1S	\$339.00
Replacement CO sensor, 1 Series		SR-M1-1S	\$339.00
Replacement SO ₂ sensor, 1 Series		SR-S3-1S	\$261.00
Replacement Dummy sensor, 1 Series		SR-DUMM-1S	\$23.00
Honeywell BW™ Flex Charging & IR Accessories		Order Number	Price (USD)
Mains 5-way charger		GA-PA-1-MC5-NA*	\$155.00
USB charger cable		CP-USB	\$27.00
5-way cradle charger		CP-C01-5	\$345.00
IR connectivity kit		GA-USB1-IR	\$125.00
12 Vdc to 24 Vdc vehicle power adaptor		GA-VPA-1	\$52.00
12 Vdc to 24 Vdc direct-wire power adaptor		GA-PA-3	\$64.00
Replacement wall outlet power adaptor		GA-PA-1-NA	\$26.00
Honeywell BW™ Flex External Filters and Aspirator Pump		Order Number	Price (USD)
External auxiliary filter kit		CP-AF-K3	\$35.00
Replacement external filters (10 pc)		CP-SS-AF-K1	\$32.00
Calibration cap		CP-TC-1	\$17.00
Manual aspirator pump kit with probe and filter (0.3 m (1 ft))		GA-AS02	\$155.00
Honeywell BW™ Flex Carrying Accessories		Order Number	Price (USD)
Neck strap with safety release		GA-NS-1	\$25.00
Short strap (15.2 cm (6 in))		GA-LY-1	\$17.00
Extension strap (1.2 m (4 ft))		GA-ES-1	\$60.00
Chest harness		GA-CH-2	\$102.00

Full Product Index (continued)

Honeywell BW™ MicroClip XL Multi-Gas Detector	Order Number	Price (USD)
Honeywell BW™ MicroClip XL, CO - black housing, NA version (North America)	MCXL-000M-B-NA	\$550.00
Honeywell BW™ MicroClip XL, CO - yellow housing, NA version (North America)	MCXL-000M-Y-NA	\$471.00
Honeywell BW™ MicroClip XL, H ₂ S - black housing, NA version (North America)	MCXL-00H0-B-NA	\$567.00
Honeywell BW™ MicroClip XL, H ₂ S - yellow housing, NA version (North America)	MCXL-00H0-Y-NA	\$485.00
Honeywell BW™ MicroClip XL, H ₂ S, CO - black housing, NA version (North America)	MCXL-00HM-B-NA	\$641.00
Honeywell BW™ MicroClip XL, H ₂ S, CO - yellow housing, NA version (North America)	MCXL-00HM-Y-NA	\$565.00
Honeywell BW™ MicroClip XL, O ₂ - black housing, NA version (North America)	MCXL-X000-B-NA	\$536.00
Honeywell BW™ MicroClip XL, O ₂ - yellow housing, NA version (North America)	MCXL-X000-Y-NA	\$473.00
Honeywell BW™ MicroClip XL, O ₂ , CO - black housing, NA version (North America)	MCXL-X00M-B-NA	\$641.00
Honeywell BW™ MicroClip XL, O ₂ , CO - yellow housing, NA version (North America)	MCXL-X00M-Y-NA	\$565.00
Honeywell BW™ MicroClip XL, O ₂ , H ₂ S - black housing, NA version (North America)	MCXL-X0H0-B-NA	\$633.00
Honeywell BW™ MicroClip XL, O ₂ , H ₂ S - yellow housing, NA version (North America)	MCXL-X0H0-Y-NA	\$559.00
Honeywell BW™ MicroClip XL, O ₂ , H ₂ S, CO - black housing, NA version (North America)	MCXL-X0HM-B-NA	\$742.00
Honeywell BW™ MicroClip XL, O ₂ , H ₂ S, CO - yellow housing, NA version (North America)	MCXL-X0HM-Y-NA	\$656.00
Honeywell BW™ MicroClip XL, %LEL, O ₂ - black housing, NA version (North America)	MCXL-XW00-B-NA	\$633.00
Honeywell BW™ MicroClip XL, %LEL, O ₂ - yellow housing, NA version (North America)	MCXL-XW00-Y-NA	\$559.00
Honeywell BW™ MicroClip XL, %LEL, O ₂ , CO - black housing, NA version (North America)	MCXL-XW0M-B-NA	\$742.00
Honeywell BW™ MicroClip XL, %LEL, O ₂ , CO - yellow housing, NA version (North America)	MCXL-XW0M-Y-NA	\$656.00
Honeywell BW™ MicroClip XL, %LEL, O ₂ , H ₂ S - black housing, NA version (North America)	MCXL-XWH0-B-NA	\$742.00
Honeywell BW™ MicroClip XL, %LEL, O ₂ , H ₂ S - yellow housing, NA version (North America)	MCXL-XWH0-Y-NA	\$656.00
Honeywell BW™ MicroClip XL, %LEL, O ₂ , H ₂ S, CO - black housing, NA version (North America)	MCXL-XWHM-B-NA	\$875.00
Honeywell BW™ MicroClip XL, %LEL, O ₂ , H ₂ S, CO - yellow housing, NA version (North America)	MCXL-XWHM-Y-NA	\$772.00
Honeywell BW™ MicroClip X3 Multi-Gas Detector	Order Number	Price (USD)
Honeywell BW™ MicroClip X3, CO - black housing, NA version (North America)	MCX3-000M-B-NA	\$668.00
Honeywell BW™ MicroClip X3, CO - yellow housing, NA version (North America)	MCX3-000M-Y-NA	\$578.00
Honeywell BW™ MicroClip X3, H ₂ S - black housing, NA version (North America)	MCX3-00H0-B-NA	\$679.00
Honeywell BW™ MicroClip X3, H ₂ S - yellow housing, NA version (North America)	MCX3-00H0-Y-NA	\$588.00
Honeywell BW™ MicroClip X3, H ₂ S, CO - black housing, NA version (North America)	MCX3-00HM-B-NA	\$750.00
Honeywell BW™ MicroClip X3, H ₂ S, CO - yellow housing, NA version (North America)	MCX3-00HM-Y-NA	\$649.00
Honeywell BW™ MicroClip X3, O ₂ - black housing, NA version (North America)	MCX3-X000-B-NA	\$653.00
Honeywell BW™ MicroClip X3, O ₂ - yellow housing, NA version (North America)	MCX3-X000-Y-NA	\$565.00
Honeywell BW™ MicroClip X3, O ₂ , CO - black housing, NA version (North America)	MCX3-X00M-B-NA	\$750.00
Honeywell BW™ MicroClip X3, O ₂ , CO - yellow housing, NA version (North America)	MCX3-X00M-Y-NA	\$649.00
Honeywell BW™ MicroClip X3, O ₂ , H ₂ S - black housing, NA version (North America)	MCX3-X0H0-B-NA	\$750.00
Honeywell BW™ MicroClip X3, O ₂ , H ₂ S - yellow housing, NA version (North America)	MCX3-X0H0-Y-NA	\$649.00
Honeywell BW™ MicroClip X3, O ₂ , H ₂ S, CO - black housing, NA version (North America)	MCX3-X0HM-B-NA	\$858.00
Honeywell BW™ MicroClip X3, O ₂ , H ₂ S, CO - yellow housing, NA version (North America)	MCX3-X0HM-Y-NA	\$742.00
Honeywell BW™ MicroClip X3, %LEL, O ₂ - black housing, NA version (North America)	MCX3-XW00-B-NA	\$750.00
Honeywell BW™ MicroClip X3, %LEL, O ₂ - yellow housing, NA version (North America)	MCX3-XW00-Y-NA	\$649.00
Honeywell BW™ MicroClip X3, %LEL, O ₂ , CO - black housing, NA version (North America)	MCX3-XW0M-B-NA	\$858.00
Honeywell BW™ MicroClip X3, %LEL, O ₂ , CO - yellow housing, NA version (North America)	MCX3-XW0M-Y-NA	\$742.00
Honeywell BW™ MicroClip X3, %LEL, O ₂ , H ₂ S - black housing, NA version (North America)	MCX3-XWH0-B-NA	\$858.00
Honeywell BW™ MicroClip X3, %LEL, O ₂ , H ₂ S - yellow housing, NA version (North America)	MCX3-XWH0-Y-NA	\$742.00
Honeywell BW™ MicroClip X3, %LEL, O ₂ , H ₂ S, CO - black housing, NA version (North America)	MCX3-XWHM-B-NA	\$993.00
Honeywell BW™ MicroClip X3, %LEL, O ₂ , H ₂ S, CO - yellow housing, NA version (North America)	MCX3-XWHM-Y-NA	\$876.00
Honeywell BW™ MicroClip Accessories	Order Number	Price (USD)
Carrying Case for Honeywell BW™ MicroClip - includes foam and lid insert from confined space kit. <i>Note: Detector and calibration gas sold separately.</i>	MC-CK-CC	\$238.00
Honeywell BW™ MicroClip deluxe confined space kit - includes manual aspirator kit, IR connectivity kit for Safety Suite, calibration cap with 0.3 m/1 ft hose, 0.5 LPM regulator, sampling probe, leather carrying case, auxiliary filter and carrying case with foam insert. <i>Note: Detector and calibration gas sold separately.</i>	MC-CK-DL	\$750.00
Manual aspirator pump kit with probe (0.3 m/1 ft) for Honeywell BW™ MicroClip	MC-AS01	\$121.00
Black leather PVC carrying holster	MC2-LC-1	\$69.00
Auxiliary filter adaptor (no filters)	MC-AF-1	\$32.00
Auxiliary filter kit (complete with filter adaptor and 5 filters)	MC-AF-K1	\$46.00
Auxiliary filter replacement for adaptor (kit of 10)	MC-SS-AF-K1	\$32.00
Multi-unit (5) cradle charger for Honeywell BW™ MicroClip	MC2-C01-MC5	\$369.00

Full Product Index (continued)

Honeywell BW™ MicroClip Replacements, Spare & Service Parts	Order Number	Price (USD)
Replacement test cap and hose (0.3 m/1 ft)	MC-TC-1	\$17.00
Replacement quad sensor screen filters (kit of 2)	MC2-SS	\$33.00
Replacement quad sensor screen filters (kit of 10)	MC2-SS-K1	\$157.00
Replacement LCD kit	MC-LCD-K1	\$65.00
Replacement screw kit (kit of 20 screws, services 5 units)	MC-SCREW-K1	\$19.00
Replacement back cover for Honeywell BW™ MicroClip XL (yellow)	MCXL-BC1	\$33.00
Replacement back cover for Honeywell BW™ MicroClip XL (black)	MCXL-BC1B	\$35.00
Replacement front cover for Honeywell BW™ MicroClip XL (yellow)	MCXL-FC1	\$33.00
Replacement front cover for Honeywell BW™ MicroClip XL (black)	MCXL-FC1B	\$35.00
Replacement Flex PCB for Honeywell BW™ MicroClip XL	MC2-FPCB1	\$33.00
Replacement Main PCB board for Honeywell BW™ MicroClip XL	MCXL-MPCB1	\$450.00
Replacement back enclosure (yellow) with screws and alligator clip for Honeywell BW™ MicroClip X3	MCX3-BC1	\$33.00
Replacement back enclosure (black) with screws and alligator clip for Honeywell BW™ MicroClip X3	MCX3-BC1B	\$35.00
Replacement front enclosure (yellow) for Honeywell BW™ MicroClip X3	MCX3-FC1	\$35.00
Replacement front enclosure (black) for Honeywell BW™ MicroClip X3	MCX3-FC1B	\$33.00
Replacement Flex PCB for Honeywell BW™ MicroClip X3	MCX3-FPCB1	\$35.00
Replacement main PCB with battery and screws for Honeywell BW™ MicroClip X3	MCX3-MPCB1	\$455.00

Honeywell BW™ Clip4 Multi-Gas Detector	Order Number	Price (USD)
O ₂ , LEL, H ₂ S, CO - black housing, North American version	BWC4-B-N	\$811.00
O ₂ , LEL, H ₂ S, CO - yellow housing, North American version	BWC4-Y-N	\$811.00

Honeywell BW™ Clip4 Replacements, Spare & Service Parts	Order Number	Price (USD)
Replacement sensor screens for Honeywell BW™ Clip4 (kit of 2)	BWC4-SS	\$33.00
Replacement sensor screens for Honeywell BW™ Clip4 (kit of 10)	BWC4-SS-K1	\$150.00
Replacement test cap for Honeywell BW™ Clip4	BWC4-TC	\$16.00
Replacement alligator clip for Honeywell BW™ Clip4	BWC4-AG	\$39.00
Replacement screw kit for Honeywell BW™ Clip4 (kit of 30)	BWC4-SCREW	\$16.00

GasAlertQuattro Multi-Gas Detector	Order Number	Price (USD)
CO, alkaline version - black housing, NA version (North America)	QT-000M-A-B-NA	\$805.00
CO, alkaline version - yellow housing, NA version (North America)	QT-000M-A-Y-NA	\$805.00
CO, rechargeable version - black housing, NA version (North America)	QT-000M-R-B-NA	\$894.00
CO, rechargeable version - yellow housing, NA version (North America)	QT-000M-R-Y-NA	\$894.00
H ₂ S, alkaline version - black housing, NA version (North America)	QT-00H0-A-B-NA	\$805.00
H ₂ S, alkaline version - yellow housing, NA version (North America)	QT-00H0-A-Y-NA	\$805.00
H ₂ S, rechargeable version - black housing, NA version (North America)	QT-00H0-R-B-NA	\$894.00
H ₂ S, rechargeable version - yellow housing, NA version (North America)	QT-00H0-R-Y-NA	\$894.00
H ₂ S, CO, alkaline version - black housing, NA version (North America)	QT-00HM-A-B-NA	\$862.00
H ₂ S, CO, alkaline version - yellow housing, NA version (North America)	QT-00HM-A-Y-NA	\$862.00
H ₂ S, CO, rechargeable version - black housing, NA version (North America)	QT-00HM-R-B-NA	\$949.00
H ₂ S, CO, rechargeable version - yellow housing, NA version (North America)	QT-00HM-R-Y-NA	\$949.00
O ₂ , alkaline version - black housing, NA version (North America)	QT-X000-A-B-NA	\$805.00
O ₂ , alkaline version - yellow housing, NA version (North America)	QT-X000-A-Y-NA	\$805.00
O ₂ , rechargeable version - black housing, NA version (North America)	QT-X000-R-B-NA	\$894.00
O ₂ , rechargeable version - yellow housing, NA version (North America)	QT-X000-R-Y-NA	\$894.00
O ₂ , CO, alkaline version - black housing, NA version (North America)	QT-X00M-A-B-NA	\$862.00
O ₂ , CO, alkaline version - yellow housing, NA version (North America)	QT-X00M-A-Y-NA	\$862.00
O ₂ , CO, rechargeable version - black housing, NA version (North America)	QT-X00M-R-B-NA	\$949.00
O ₂ , CO, rechargeable version - yellow housing, NA version (North America)	QT-X00M-R-Y-NA	\$949.00
O ₂ , H ₂ S, alkaline version - black housing, NA version (North America)	QT-X0H0-A-B-NA	\$862.00
O ₂ , H ₂ S, alkaline version - yellow housing, NA version (North America)	QT-X0H0-A-Y-NA	\$862.00
O ₂ , H ₂ S, rechargeable version - black housing, NA version (North America)	QT-X0H0-R-B-NA	\$949.00
O ₂ , H ₂ S, rechargeable version - yellow housing, NA version (North America)	QT-X0H0-R-Y-NA	\$949.00
O ₂ , H ₂ S, CO, alkaline version - black housing, NA version (North America)	QT-X0HM-A-B-NA	\$916.00
O ₂ , H ₂ S, CO, alkaline version - yellow housing, NA version (North America)	QT-X0HM-A-Y-NA	\$916.00
O ₂ , H ₂ S, CO, rechargeable version - black housing, NA version (North America)	QT-X0HM-R-B-NA	\$1,001.00
O ₂ , H ₂ S, CO, rechargeable version - yellow housing, NA version (North America)	QT-X0HM-R-Y-NA	\$1,001.00
%LEL, O ₂ , alkaline version - black housing, NA version (North America)	QT-XW00-A-B-NA	\$862.00
%LEL, O ₂ , alkaline version - yellow housing, NA version (North America)	QT-XW00-A-Y-NA	\$862.00
%LEL, O ₂ , rechargeable version - black housing, NA version (North America)	QT-XW00-R-B-NA	\$949.00
%LEL, O ₂ , rechargeable version - yellow housing, NA version (North America)	QT-XW00-R-Y-NA	\$949.00

Full Product Index (continued)

GasAlertQuattro Multi-Gas Detector	Order Number	Price (USD)
%LEL, O ₂ , CO, alkaline version - black housing, NA version (North America)	QT-XWOM-A-B-NA	\$916.00
%LEL, O ₂ , CO, alkaline version - yellow housing, NA version (North America)	QT-XWOM-A-Y-NA	\$916.00
%LEL, O ₂ , CO, rechargeable version - black housing, NA version (North America)	QT-XWOM-R-B-NA	\$1,001.00
%LEL, O ₂ , CO, rechargeable version - yellow housing, NA version (North America)	QT-XWOM-R-Y-NA	\$1,001.00
%LEL, O ₂ , H ₂ S, alkaline version - black housing, NA version (North America)	QT-XWHO-A-B-NA	\$916.00
%LEL, O ₂ , H ₂ S, alkaline version - yellow housing, NA version (North America)	QT-XWHO-A-Y-NA	\$916.00
%LEL, O ₂ , H ₂ S, rechargeable version - black housing, NA version (North America)	QT-XWHO-R-B-NA	\$1,001.00
%LEL, O ₂ , H ₂ S, rechargeable version - yellow housing, NA version (North America)	QT-XWHO-R-Y-NA	\$1,001.00
%LEL, O ₂ , H ₂ S, CO, alkaline version - black housing, NA version (North America)	QT-XWHM-A-B-NA	\$1,016.00
%LEL, O ₂ , H ₂ S, CO, alkaline version - yellow housing, NA version (North America)	QT-XWHM-A-Y-NA	\$897.00
%LEL, O ₂ , H ₂ S, CO, rechargeable version - black housing, NA version (North America)	QT-XWHM-R-B-NA	\$1,105.00
%LEL, O ₂ , H ₂ S, CO, rechargeable version - yellow housing, NA version (North America)	QT-XWHM-R-Y-NA	\$975.00
GasAlertQuattro Accessories	Order Number	Price (USD)
GasAlertQuattro Premium Confined Space Kit - includes GasAlertQuattro detector (%LEL, O ₂ , H ₂ S, CO) and standard package contents, plus rechargeable battery pack and wall charging adaptor, alkaline battery pack and AA batteries, manual aspirator kit, IR Connectivity Kit for Safety Suite, sampling probe, calibration cap with 0.3 m (1 ft) hose, 34 L calibration gas (2.5% CH ₄ , 18% O ₂ , 25 ppm H ₂ S, 100 ppm CO), 0.5 LPM regulator and carrying case with foam insert.	QT-XWHM-R-Y-NA-CS	\$1,751.00
GasAlertQuattro Deluxe Confined Space Kit - includes manual aspirator kit, IR Connectivity Kit for Safety Suite, sampling probe, carrying holster, auxiliary filter kit, calibration cap with 0.3 m (1 ft) hose, 0.5 LPM regulator, and carrying case with foam insert. <i>Detector and calibration gas sold separately.</i>	QT-CK-DL	\$915.00
Carrying Case for GasAlertQuattro with foam insert. <i>Note: Detector, sampling equipment and calibration gas sold separately</i>	QT-CK-CC	\$288.00
Concussion-proof boot	GA-BQT	\$52.00
Carrying holster for GasAlertQuattro	GA-HQT	\$46.00
Auxiliary filter (LCD protector) - includes five filters	QT-AF-K1	\$52.00
Replacement auxiliary filter for use with QT-AF-K1 (kit of 10)	QT-SS-AF-K1	\$76.00
Manual aspirator pump	QT-AS01	\$119.00
Alkaline battery pack with batteries - yellow	QT-BAT-A01	\$76.00
Alkaline battery pack with batteries - black	QT-BAT-A01B	\$76.00
Rechargeable battery pack - yellow	QT-BAT-R01	\$141.00
Rechargeable battery pack - black	QT-BAT-R01B	\$141.00
Multi-unit (5) cradle charger for GasAlertQuattro	QT-C01-MC5	\$367.00
Vehicle attachment (compatible with single T-pattern or 4-hole AMPS mounting system)	QT-VMB-1	\$33.00
GasAlertQuattro Replacements, Spares and Service Parts	Order Number	Price (USD)
Replacement quad sensor screen for GasAlertQuattro (kit of 2)	QT-SS	\$25.00
Replacement quad sensor screen for GasAlertQuattro (kit of 10)	QT-SS-K1	\$119.00
Replacement test cap and hose	QT-TC-1	\$16.00
Replacement back enclosure (yellow) with screws for GasAlertQuattro	QT-BC1	\$42.00
Replacement back enclosure (black) with screws for GasAlertQuattro	QT-BC1B	\$42.00
Replacement front enclosure (yellow) for GasAlertQuattro	QT-FC1	\$42.00
Replacement front enclosure (black) for GasAlertQuattro	QT-FC1B	\$42.00
Replacement LCD kit for GasAlertQuattro	QT-LCD-K1	\$48.00
Replacement main PCB and sensor PCB kit for GasAlertQuattro	QT-PCB-K1	\$370.00
Replacement screw kit for GasAlertQuattro (kit of 40 screws, services 5 units)	QT-SCREW-K1	\$17.00
Honeywell BW™ Max XT II Multi-Gas Detector	Order Number	Price (USD)
CO - black housing, NA version (North America)	XT-000M-B-NA	\$1,098.00
CO - yellow housing, NA version (North America)	XT-000M-Y-NA	\$950.00
H ₂ S - black housing, NA version (North America)	XT-00H0-B-NA	\$1,077.00
H ₂ S - yellow housing, NA version (North America)	XT-00H0-Y-NA	\$950.00
H ₂ S, CO - black housing, NA version (North America)	XT-00HM-B-NA	\$1,145.00
H ₂ S, CO - yellow housing, NA version (North America)	XT-00HM-Y-NA	\$1,011.00
O ₂ - black housing, NA version (North America)	XT-X000-B-NA	\$1,077.00
O ₂ - yellow housing, NA version (North America)	XT-X000-Y-NA	\$950.00
O ₂ , CO - black housing, NA version (North America)	XT-X00M-B-NA	\$1,145.00
O ₂ , CO - yellow housing, NA version (North America)	XT-X00M-Y-NA	\$1,011.00
O ₂ , H ₂ S - black housing, NA version (North America)	XT-X0H0-B-NA	\$1,166.00
O ₂ , H ₂ S - yellow housing, NA version (North America)	XT-X0H0-Y-NA	\$1,011.00
O ₂ , H ₂ S, CO - black housing, NA version (North America)	XT-X0HM-B-NA	\$1,230.00
O ₂ , H ₂ S, CO - yellow housing, NA version (North America)	XT-X0HM-Y-NA	\$1,065.00
%LEL, O ₂ - black housing, NA version (North America)	XT-XW00-B-NA	\$1,145.00

Full Product Index (continued)

Honeywell BW™ Max XT II Multi-Gas Detector	Order Number	Price (USD)
%LEL, O ₂ - yellow housing, NA version (North America)	XT-XW00-Y-NA	\$1,011.00
%LEL, O ₂ , CO - black housing, NA version (North America)	XT-XWOM-B-NA	\$1,207.00
%LEL, O ₂ , CO - yellow housing, NA version (North America)	XT-XWOM-Y-NA	\$1,207.00
%LEL, O ₂ , H ₂ S - black housing, NA version (North America)	XT-XWHO-B-NA	\$1,207.00
%LEL, O ₂ , H ₂ S - yellow housing, NA version (North America)	XT-XWHO-Y-NA	\$1,065.00
%LEL, O ₂ , H ₂ S, CO - black housing, NA version (North America)	XT-XWHM-B-NA	\$1,232.00
%LEL, O ₂ , H ₂ S, CO - yellow housing, NA version (North America)	XT-XWHM-Y-NA	\$1,087.00

Honeywell BW™ Max XT II Accessories	Order Number	Price (USD)
Honeywell BW™ Max XT II Premium Confined Space Kit - includes Honeywell BW™ Max XT II detector (%LEL, O ₂ , H ₂ S, CO) and standard package contents, plus wall charging adaptor, IR Connectivity Kit for Safety Suite, sampling probe, hydrophobic (5) and particulate (5) pump filters, 3 m (10 ft) sampling hose, 34 L calibration gas (2.5% CH ₄ , 18% O ₂ , 25 ppm H ₂ S, 100 ppm CO), 0.5 LPM regulator and carrying case with foam insert.	XT-XWHM-Y-NA-CS	\$1,526.00
Honeywell BW™ Max XT II Deluxe Confined Space Kit - includes IR Connectivity Kit for Safety Suite, sampling probe, 3 m (10 ft) sampling hose, 1 m/3 ft hose, concussion-proof boot, carrying holster, 0.5 LPM regulator and carrying case with foam insert. <i>Note: Detector and calibration gas sold separately.</i>	XT-CK-DL	\$714.00
Carrying Case for Honeywell BW™ Max XT with foam insert from XT-CK-DL kit. <i>Note: Detector, sampling equipment and calibration gas sold separately.</i>	XT-CK-CC	\$225.00
Concussion-proof boot with stainless steel alligator-style clip for Honeywell BW™ Max XT II	GA-BXT	\$52.00
Carrying holster for Honeywell BW™ Max XT II and sampling hose	GA-HXT	\$32.00
Multi-unit (5) cradle charger	XT-CO1-MC5	\$369.00

Honeywell BW™ Max XT II Replacements, Spares and Service Parts	Order Number	Price (USD)
Replacement quad sensor screens for Honeywell BW™ Max XT II (kit of 2)	XT-SS-1	\$35.00
Replacement quad sensor screens For Honeywell BW™ Max XT II (kit of 10)	XT-SS-K2	\$156.00
Particulate pump filter (thick) replacement (kit of 5)	GA-PFMAX	\$25.00
Particulate pump filter (thick) replacement (kit of 100)	GA-PFMAX-100	\$121.00
Particulate pump filter (thick) replacement (kit of 50)	GA-PFMAX-50	\$72.00
Hydrophobic pump filter (thin) replacement (kit of 100)	XT-RF-H100	\$222.00
Hydrophobic pump filter (thin) replacement (kit of 5)	XT-RF-H5	\$25.00
Hydrophobic pump filter (thin) replacement (kit of 50)	XT-RF-H50	\$133.00
Replacement alligator-style clip (stainless steel with screw)	XT-AG-1	\$42.00
Replacement front enclosure (yellow) for Honeywell BW™ Max XT II	XT-FC1-1	\$79.00
Replacement front enclosure (black) for Honeywell BW™ Max XT II	XT-FC1B-1	\$83.00
Replacement back enclosure (yellow) with screws for Honeywell BW™ Max XT II	XT-BC1	\$79.00
Replacement back enclosure (black) with screws for Honeywell BW™ Max XT II	XT-BC1B	\$83.00
Replacement pump enclosure (yellow) with screw for Honeywell BW™ Max XT II	XT-PC1	\$42.00
Replacement pump enclosure (black) with screw for Honeywell BW™ Max XT II	XT-PC1B	\$43.00
Replacement battery kit for Honeywell BW™ Max XT II	XT-BAT-K1	\$79.00
Replacement pump kit for Honeywell BW™ Max XT II	XT-RPUMP-K1	\$261.00
Replacement LCD kit for Honeywell BW™ Max XT II	XT-LCD-K1	\$79.00
Replacement main PCB with screws for Honeywell BW™ Max XT II	XT-MPCB2	\$482.00
Replacement sensor enclosure (yellow) with screw for Honeywell BW™ Max XT II	XT-SC1	\$42.00
Replacement sensor enclosure (black) with screw for Honeywell BW™ Max XT II	XT-SC1B	\$43.00
Replacement screw kit for Honeywell BW™ Max XT II (kit of 40 screws, services 5 units)	XT-SCREW-K1	\$26.00

GasAlertMicro 5 Series Multi-Gas Detector	Order Number	Price (USD)
CO ₂ (IR), %LEL, O ₂ , H ₂ S, CO - rechargeable battery, black housing	M5IR-XWBY-R-D-D-B-N-00	\$2,828.00
CO ₂ (IR), %LEL, O ₂ , H ₂ S, CO - rechargeable battery, yellow housing	M5IR-XWBY-R-D-D-Y-N-00	\$2,743.00
%LEL, O ₂ , H ₂ S, CO, NH ₃ - rechargeable battery, black housing	M5-XWAY-R-D-D-B-N-00	\$2,052.00
%LEL, O ₂ , H ₂ S, CO, NH ₃ - rechargeable battery, yellow housing	M5-XWAY-R-D-D-Y-N-00	\$2,052.00
%LEL, O ₂ , H ₂ S, CO, SO ₂ - rechargeable battery, black housing	M5-XWSY-R-D-D-B-N-00	\$1,925.00
%LEL, O ₂ , H ₂ S, CO, SO ₂ - rechargeable battery, yellow housing	M5-XWSY-R-D-D-Y-N-00	\$1,925.00

Note: GasAlertMicro 5 Series rechargeable products manufactured after January 1, 2017, no longer comply with California and Oregon CEC, 400, 2012, FS, 002 regulation related to battery charging systems. As a result the rechargeable configurations of GasAlertMicro 5 Series detectors cannot be sold or shipped to the states of Oregon and California. Please contact your local Honeywell Analytics Office to know the availability of products manufactured prior to December 31, 2016, that could still be shipped to the states of California and Oregon or to identify alternative products.

GasAlertMicro 5 Series Accessories	Order Number	Price (USD)
Carrying case for GasAlertMicro 5 Series with foam and lid insert	M5-CK-CC	\$257.00

Note: GasAlertMicro 5 Series rechargeable products manufactured after January 1, 2017, no longer comply with California and Oregon CEC, 400, 2012, FS, 002 regulation related to battery charging systems. As a result the rechargeable configurations of GasAlertMicro 5 Series detectors cannot be sold or shipped to the states of Oregon and California. Please contact your local Honeywell Analytics Office to know the availability of products manufactured prior to December 31, 2016, that could still be shipped to the states of California and Oregon or to identify alternative products.

Full Product Index (continued)

GasAlertMicro 5 Series Accessories	Order Number	Price (USD)
Concussion-proof boot, diffusion units	GA-BM5-1	\$68.00
Concussion-proof boot, pump units	GA-BM5-2	\$69.00
Carrying holster for GasAlertMicro 5 Series	GA-HM5	\$46.00
12 Vdc vehicle adaptor cable for use with cradle charger (M5-C01)	GA-V-CHRG4	\$33.00
Alkaline battery pack, European-style safety screws, yellow*	M5-BAT0502	\$127.00
Rechargeable battery pack, yellow*	M5-BAT08	\$222.00
Rechargeable battery pack, black*	M5-BAT08B	\$222.00
Cradle charger for rechargeable battery packs	M5-C01	\$308.00
Cradle charger and rechargeable battery pack, yellow*	M5-C01-BAT08	\$382.00
Cradle charger and rechargeable battery pack, black*	M5-C01-BAT08B	\$382.00

Note: GasAlertMicro 5 Series rechargeable products manufactured after January 1, 2017, no longer comply with California and Oregon CEC, 400, 2012, FS, 002 regulation related to battery charging systems. As a result the rechargeable configurations of GasAlertMicro 5 Series detectors cannot be sold or shipped to the states of Oregon and California. Please contact your local Honeywell Analytics Office to know the availability of products manufactured prior to December 31, 2016, that could still be shipped to the states of California and Oregon or to identify alternative products.

GasAlertMicro 5 Series Replacements, Spares and Service Parts	Order Number	Price (USD)
Quad sensor screen filters (kit of 2)	M5-SS	\$35.00
Test cap and hose (0.5 m (1.5 ft)) replacement	M5-TC-1	\$22.00
Auxiliary pump filter (kit of 100)	M5-AF-K2-100	\$644.00
Auxiliary pump filter (kit of 5)	M5-AF-K2	\$52.00
Auxiliary pump filter compatible with hose	M5-QCONN-K1	\$25.00
Replacement pump, yellow	M5-PR-1	\$263.00
Replacement pump, black	M5-PRB-1	\$263.00
Replacement auxiliary pump filter for use with Generation 2 pump modules (with filter window) (kit of 100)	M5-AF-K3-100	\$603.00
Replacement auxiliary pump filter for use with Generation 2 pump modules (with filter window) (kit of 5)	M5-AF-K3	\$35.00
Replacement back enclosure (black) with screws for GasAlertMicro 5 Series	M5-BC1B	\$49.00
Replacement back enclosure (yellow) with screws for GasAlertMicro 5 Series	M5-BC1	\$49.00
Replacement battery latch	M5-BL-1	\$16.00
Replacement diffusion cover, black	M5-DCB-1	\$49.00
Replacement diffusion cover, yellow	M5-DC-1	\$49.00
Replacement front enclosure (black) for GasAlertMicro 5	M5-FC1B	\$49.00
Replacement front enclosure (yellow) for GasAlertMicro 5	M5-FC1	\$48.00
Replacement screw kit for GasAlertMicro 5 Series (kit of 45 screws, services 5 units)	M5-SCREW-K1	\$17.00
Replacement screwdriver (reversible hex/Phillips driver) and alkaline battery pack screws for GasAlertMicro 5 Series	M5-ALLEN	\$17.00
MultiMedia card	M5-MMC	\$65.00
Replacement main PCB for GasAlertMicro 5 Series	M5-DL2-MPCB3	\$633.00
Replacement sensor PCB for GasAlertMicro 5	M5-SPCB3	\$370.00
Replacement sensor PCB for GasAlertMicro 5 IR	M5IR-SPCB1	\$362.00
Alkaline battery pack, black	M5-BAT0501B	\$137.00
Alkaline battery pack, yellow	M5-BAT0501	\$133.00
Replacement nozzle for generation 2 GasAlertMicro 5 Series pump module (with filter window)	M5-PN-1	\$16.00
Cleaning kit for PID sensor (for lamp only)	M5PID-CLN-K1	\$57.00
Replacement electrode stacks for PID sensor (SR-Q07) (kit of 2)	M5PID-ES-1	\$49.00
Replacement PID lamp, (10.6 eV) for PID sensor (SR-Q07)	RL-PID10.6	\$381.00

Note: 1 year warranty.

Note: GasAlertMicro 5 Series rechargeable products manufactured after January 1, 2017, no longer comply with California and Oregon CEC, 400, 2012, FS, 002 regulation related to battery charging systems. As a result the rechargeable configurations of GasAlertMicro 5 Series detectors cannot be sold or shipped to the states of Oregon and California. Please contact your local Honeywell Analytics Office to know the availability of products manufactured prior to December 31, 2016, that could still be shipped to the states of California and Oregon or to identify alternative products.

Honeywell BW™ Ultra Multi-Gas Detector	Order Number	Price (USD)
O ₂ , LEL, H ₂ S, CO, NH ₃ , black housing	HU-X1W1H1M1A1-B-N	\$2,191.00
O ₂ , LEL, H ₂ S, CO, NH ₃ , yellow housing	HU-X1W1H1M1A1-Y-N	\$2,191.00
O ₂ , LEL, H ₂ S, CO, CO ₂ IR, black housing	HU-X1W1H1M1B1-B-N	\$2,768.00
O ₂ , LEL, H ₂ S, CO, CO ₂ IR, yellow housing	HU-X1W1H1M1B1-Y-N	\$2,768.00
O ₂ , LEL, H ₂ S, CO, Cl ₂ , black housing	HU-X1W1H1M1C1-B-N	\$2,192.00
O ₂ , LEL, H ₂ S, CO, Cl ₂ , yellow housing	HU-X1W1H1M1C1-Y-N	\$2,192.00
O ₂ , LEL, H ₂ S, CO, VOCs, black housing	HU-X1W1H1M1Q1-B-N	\$2,768.00
O ₂ , LEL, H ₂ S, CO, VOCs, yellow housing	HU-X1W1H1M1Q1-Y-N	\$2,768.00
O ₂ , LEL, H ₂ S, CO, SO ₂ , black housing	HU-X1W1H1M1S1-B-N	\$2,191.00
O ₂ , LEL, H ₂ S, CO, SO ₂ , yellow housing	HU-X1W1H1M1S1-Y-N	\$2,191.00
O ₂ , LEL, H ₂ S, CO, black housing	HU-X1W1H1M100-B-N	\$1,888.00
O ₂ , LEL, H ₂ S, CO, yellow housing	HU-X1W1H1M100-Y-N	\$1,888.00

Full Product Index (continued)

Honeywell BW™ Ultra Multi-Gas Accessories	Order Number	Price (USD)
Honeywell BW™ Ultra Deluxe Confined Space Kit	HU-CK-DL	\$620.00
Carrying case for Honeywell BW™ Ultra with foam and lid insert	HU-CK-CC	\$244.00
Concussion-proof boot	HU-BOOT	\$66.00
Impact screen protector	HU-ISP	\$48.00
LCD scratch protector (kit of 5)	HU-PG5	\$70.00
LCD scratch protector (kit of 50)	HU-PG50	\$348.00
Multi-unit cradle charger	HU-C01-MC5	\$327.00
Ultra Single Cradle Charger	HU-C01	\$112.00
Rechargeable battery pack with screw	HU-BAT	\$197.00

Honeywell BW™ Ultra Replacements, Spares and Service Parts	Order Number	Price (USD)
Replacement alligator clip with screw	HU-AG	\$33.00
Replacement rechargeable battery pack with screw	HU-BAT	\$197.00
Replacement back enclosure	HU-BC	\$105.00
Replacement exhaust filter kit (kit of 10)	HU-EX-FIL	\$37.00
Replacement front enclosure with LCD gasket (black)	HU-FC-B	\$70.00
Replacement front enclosure with LCD gasket (yellow)	HU-FC-Y	\$70.00
Replacement flex PCB	HU-FPCB	\$29.00
Replacement pump inlet with screw	HU-IN	\$37.00
Replacement pump inlet connector	HU-INCONN	\$15.00
Replacement inlet filter kit (kit of 10)	HU-IN-FIL	\$70.00
Replacement LCD kit (includes LCD, LCD holder and flex connector)	HU-LCD	\$105.00
Replacement manifold kit (includes one-series sensor manifold and exhaust manifold assemblies)	HU-MAN	\$29.00
Replacement PCB assembly	HU-PCB	\$556.00
Replacement pump (includes pump and 4R+ manifold)	HU-PUMP	\$278.00
Replacement screw kit for 5 detectors	HU-SCREW	\$23.00

Honeywell BW™ RigRat Instruments	Order Number	Price (USD)
Basic diffusion: BLE only (default for all versions), Catalytic LEL (0% to 100% LEL), CO (0 ppm to 500 ppm), H ₂ S (0 ppm to 100 ppm), Liquid Oxygen (0% to 30% Vol)	HRR-A300009ABK-000	\$5,482.00
Basic pump: BLE only (default for all versions), Catalytic LEL (0% to 100% LEL), CO (0 ppm to 500 ppm), H ₂ S (0 ppm to 100 ppm), Liquid Oxygen (0% to 30% Vol)	HRR-B300009ABK-000	\$6,032.00
Basic pump: BLE only (default for all versions), Ex NDIR (0% to 100% LEL), CO (0 ppm to 500 ppm), H ₂ S (0 ppm to 100 ppm), Liquid Oxygen (0% to 30% Vol)	HRR-A300100ABK-000	\$6,230.00
Enhanced diffusion: Input/output + wireless, BLE, Mesh 900MHz (Portables Systems), Catalytic LEL (0% to 100% LEL), CO (0 ppm to 500 ppm), H ₂ S (0 ppm to 100 ppm), Liquid Oxygen (0% to 30% Vol)	HRR-B300100ABK-000	\$6,780.00
Enhanced diffusion: Input/output + wireless, BLE, Mesh 900MHz (Portables Systems), Ex NDIR (0-100% LEL) Low Power, (0% to 100% LEL), CO (0 ppm to 500 ppm), H ₂ S (0 ppm to 100 ppm), Liquid Oxygen (0% to 30% Vol), GPS	HRR-C301009ABK-000	\$6,362.00
Enhanced pump: Input/output + wireless, BLE, Mesh 900MHz (Portables Systems), Catalytic LEL (0% to 100% LEL), CO (0 ppm to 500 ppm), H ₂ S (0 ppm to 100 ppm), Liquid Oxygen (0% to 30% Vol)	HRR-C301100ABK-100	\$7,495.00
Enhanced diffusion: Input/output + wireless + Noise Sensor, BLE, Mesh 900MHz (Portables Systems), Catalytic LEL (0% to 100% LEL), CO (0 ppm to 500 ppm), H ₂ S (0 ppm to 100 ppm), Liquid Oxygen (0% to 30% Vol)	HRR-C303100ABK-000	\$7,110.00
Enhanced pump: Input/output + wireless + Noise Sensor, BLE, Mesh 900MHz (Portables Systems), Catalytic LEL (0% to 100% LEL), CO (0 ppm to 500 ppm), H ₂ S (0 ppm to 100 ppm), Liquid Oxygen (0% to 30% Vol)	HRR-D301009ABK-000	\$6,912.00
Enhanced diffusion: Input/output + wireless + Noise Sensor, BLE, Mesh 900MHz (Portables Systems), Ex NDIR (0% to 100% LEL), CO (0 ppm to 500 ppm), H ₂ S (0 ppm to 100 ppm), Liquid Oxygen (0% to 30% Vol), GPS	HRR-G301009ABK-000	\$6,747.00
Enhanced pump: Input/output + wireless + Noise Sensor, BLE, Mesh 900MHz (Portables Systems), Catalytic LEL (0% to 100% LEL), CO (0 ppm to 500 ppm), H ₂ S (0 ppm to 100 ppm), Liquid Oxygen (0% to 30% Vol)	HRR-H301009ABK-000	\$7,297.00
Enhanced diffusion: Input/output + wireless + Noise Sensor, BLE, Mesh 900MHz (Portables Systems), Ex NDIR (0% to 100% LEL), Low Power, CO (0 ppm to 500 ppm), H ₂ S (0 ppm to 100 ppm), Liquid Oxygen (0% to 30% Vol), GPS	HRR-G301100ABK-100	\$7,880.00
Enhanced pump: Input/output + wireless + Noise Sensor, BLE, Mesh 900MHz (Portables Systems), Ex NDIR (0% to 100% LEL), Low Power, CO (0 ppm to 500 ppm), H ₂ S (0 ppm to 100 ppm), Liquid Oxygen (0% to 30% Vol), GPS	HRR-H301100ABK-100	\$8,430.00

Honeywell BW™ RigRat Accessories & Replacement Parts	Order Number	Price (USD)
Dust Cap I/O Connector	400-4083-000	\$15.00
Connector Plug MALE 3POS Solder	400-4105-003	\$59.00
Connector Plug MALE 10POS Solder	400-4105-010	\$59.00
Connector Plug MALE 14POS Solder	400-4105-014	\$59.00
BW™ RigRat Antenna 868-928MHz, RP-N	550-7056-000	\$70.00
BW™ RigRat Antenna 2.4GHz, RP-N	550-7057-000	\$70.00
Alarm Bar Stand Controller Cabinet	F08-2119-000	\$541.00
Sensor Under Foam BW™ RigRat	M01-2029-000	\$8.00
Waterproof Membrane	M01-2067-000	\$8.00

Full Product Index (continued)

Accessories & Replacement Parts	Order Number	Price (USD)
Rubber-Gas IN and OUT BW™ RigRat	W03-2009-000	\$13.00
Rain Cover	W03-2038-000	\$30.00
BW™ RigRat Top Handle	W03-2111-000	\$197.00
LCD Protection Cover	W03-2129-000	\$13.00
RAEMet Cable	W03-2154-000	\$59.00
RAEMet Metal Bracket	W03-2200-000	\$59.00
Storage Rack kit	W03-2203-000	\$403.00
Gas Inlet Connector (pump version only)	W03-3006-000	\$25.00
IS barrier kit	W03-3018-000	\$861.00
Base Assembly	W03-3037-000	\$345.00
Metal cage kit for BW™ RigRat	W03-3042-000	\$351.00
AC/DC adaptor, 110 VAC to 240 VAC input, 6V 3A output	W03-3044-000	\$82.00
BW™ RigRat RAEMet kit	W03-3045-000	\$1,810.00
Quick start guide (QSG) BW™ RigRat	W03-4002-000	\$59.00
Noise Sensor Cover for BW™ RigRat	W03-2140-000	\$19.00
Noise Sensor Foam for BW™ RigRat	W03-2084-000	\$13.00
Diffusion calibration cap assembly	W03-3013-000	\$30.00
Pump calibration tube assembly	W03-3020-000	\$19.00
Gas cover assembly (BW™ RigRat Diffusion)	W03-3015-000	\$104.00
Gas cover assembly (BW™ RigRat Pumped)	W03-3005-000	\$574.00
Clamp kit for BW™ RigRat (includes 2 clamps and 4 screws)	W03-3043-000	\$53.00
Pump assembly for BW™ RigRat	W03-3016-000	\$345.00
Spare Sensors	Order Number	Price (USD)
Ex NDIR (0% to 100% LEL) LP	C03-0992-100	\$1,019.00
Ex NDIR (0% to 100% VOL) LP	C03-0992-000	\$1,019.00
Ex NDIR (0% to 100% LEL) SIL I	C03-0990-100	\$1,019.00
Ex NDIR (0% to 100% VOL) SIL I	C03-0990-000	\$1,019.00
CO2 NDIR (up to 50,000 ppm)	C03-0991-000	\$1,019.00
4R+ PID(10.6eV)	C03-0912-000	\$630.00
4R+ CO Sensor Module	C03-0906-000	\$255.00
4R+ H ₂ S Sensor Module	C03-0907-001	\$255.00
4R+ H ₂ S High Range Sensor Module	C03-0904-000	\$255.00
4R+ SO Sensor Module	C03-0973-000	\$375.00
4R+ NO Sensor Module	C03-0974-000	\$436.00
4R+ NO ₂ Sensor Module	C03-0975-000	\$436.00
4R+ HCN Sensor Module	C03-0949-000	\$509.00
4R+ NH Sensor Module	C03-0950-000	\$509.00
4R+ CL ₂ Sensor Module	C03-0978-000	\$375.00
4R+ O ₂ Sensor Module	C03-0908-001	\$416.00
4R+ CO High Range Sensor Module	C03-0903-000	\$375.00
4R+ CO (H Compensated) Sensor Module	C03-0979-000	\$436.00
Sensor Module (Analog) LEL 4R+ Sensor Module (Analog) LEL 4R+	C03-0801-000	\$236.00
Dummy 4R+ Sensor	C03-2028-000	\$41.00

Docking, Testing and Data Management

Honeywell IntelliDoX® Docking System	Order Number	Price (USD)
Honeywell IntelliDoX® docking station for Honeywell BW Clip® Series	DX-CLIP	\$2,616.00
Honeywell IntelliDoX® docking station for Honeywell BW™ Solo	DX-SOLO	\$2,616.00
Honeywell IntelliDoX® docking station for Honeywell BW Icon/Icon+	DX-CP	\$2,616.00
Honeywell IntelliDoX® docking station for Honeywell BW™ Clip4	DX-BWC4	\$2,616.00
Honeywell IntelliDoX® docking station for Honeywell BW™ MicroClip XT, XL or X3	DX-MCLP	\$2,616.00
Honeywell IntelliDoX® docking station for Honeywell BW™ Max XT II	DX-MAXXT	\$2,616.00
Honeywell IntelliDoX® docking station for Honeywell BW™ Ultra	DX-ULTRA	\$2,616.00
Honeywell IntelliDoX® enabler kit, NA version (North America)	DX-ENBL-NA	\$299.00
Honeywell IntelliDoX® enabler kit, EU version (Europe)	DX-ENBL-EU	\$357.00
Honeywell IntelliDoX® enabler kit, UK version (United Kingdom)	DX-ENBL-UK	\$357.00

Full Product Index (continued)

Honeywell IntelliDoX® Docking System	Order Number	Price (USD)
Honeywell IntelliDoX® enabler kit, AU version (Australia)	DX-ENBL-AU	\$357.00
<i>Note: One Honeywell IntelliDoX® enabler kit is required for each docking system. Each docking system can support up to five Honeywell IntelliDoX® modules.</i>		
Honeywell IntelliDoX® Docking Station Accessories	Order Number	Price (USD)
Honeywell IntelliDoX® Mobile Case (Standard) supports one or two Honeywell IntelliDoX® units and two 34 L cylinders. <i>Honeywell IntelliDoX® and Enabler Kit sold separately.</i>	DX-CASE	\$923.00
Honeywell IntelliDoX® Mobile Case (Large) supports one or two Honeywell IntelliDoX® units and two 58 L cylinders. <i>Honeywell IntelliDoX® and Enabler Kit sold separately.</i>	DX-CASE1	\$1,094.00
Honeywell IntelliDoX® Single-Inlet Key	DX-SI-KEY	\$111.00
Honeywell IntelliDoX® Multi-Inlet Key	DX-MI-KEY	\$357.00
AC power supply for Honeywell IntelliDoX®, NA version (North America)	DX-PS-NA	\$271.00
Honeywell IntelliDoX® vehicle power adaptor	DX-VPA	\$330.00
Honeywell IntelliDoX® Docking Station Replacements, Spares and Service Parts	Order Number	Price (USD)
Honeywell IntelliDoX® Nest for Honeywell BW Clip® Series	DX-NEST-CLIP	\$717.00
Honeywell IntelliDoX® Nest for Honeywell BW™ Solo	DX-NEST-SOLO	\$717.00
Honeywell IntelliDoX® Nest for Honeywell BW Icon/Icon+	DX-NEST-CP	\$683.00
Honeywell IntelliDoX® Nest for Honeywell BW™ Clip4	DX-NEST-BWC4	\$717.00
Honeywell IntelliDoX® Nest for Honeywell BW™ MicroClip XT, XL or X3	DX-NEST-MCLP	\$717.00
Honeywell IntelliDoX® Nest for Honeywell BW™ Max XT II	DX-NEST-MAXXT	\$717.00
Honeywell IntelliDoX® Nest for Honeywell BW™ Ultra	DX-NEST-ULTRA	\$717.00
Honeywell IntelliDoX® universal latch arm (kit of 5)	DX-ARM	\$52.00
Honeywell IntelliDoX® universal end plate (kit of 5)	DX-COVER	\$63.00
Honeywell IntelliDoX® filters and hoses kit	DX-FILTERS	\$184.00
Honeywell IntelliDoX® retractable stand/wall mount (kit of 5)	DX-STAND	\$78.00
Honeywell IntelliDoX® inlet filters (kit of 5)	DX-IF-5	\$58.00
Honeywell IntelliDoX® o-rings (kit of 10)	DX-RINGS	\$25.00
Honeywell IntelliDoX® assorted screws	DX-SCREWS	\$72.00
MicroDock II	Order Number	Price (USD)
GasAlertMicro 5 Series MicroDock II module, charging with charging power supply (not compatible with ClO ₂ or O ₃)	DOCK2-0-1C1K-00-G	\$971.00
Honeywell BW™ Max XT II MicroDock II module, charging with charging power supply	DOCK2-0-1C1M-00-G	\$787.00
GasAlertQuattro MicroDock II module, charging with charging power supply	DOCK2-0-1C1N-00-G	\$763.00
Honeywell BW™ MicroClip XL/XT MicroDock II module, charging with charging power supply	DOCK2-0-1C1P-00-G	\$787.00
GasAlert Extreme MicroDock II module (not compatible with ClO ₂ or O ₃)	DOCK2-0-1D-00-G	\$715.00
GasAlertMicro 5 Series MicroDock II module, non-charging (not compatible with ClO ₂ or O ₃)	DOCK2-0-1J-00-G	\$760.00
GasAlertMicro 5 Series MicroDock II module, charging without charging power supply (not compatible with ClO ₂ or O ₃)	DOCK2-0-1K-00-G	\$899.00
Honeywell BW™ Max XT II MicroDock II module, charging without charging power supply	DOCK2-0-1M-00-G	\$715.00
GasAlertQuattro MicroDock II module, charging without charging power supply	DOCK2-0-1N-00-G	\$691.00
Honeywell BW™ MicroClip XL/XT MicroDock II module, charging without charging power supply	DOCK2-0-1P-00-G	\$715.00
Base station with 1 fresh air and 1 gas inlet(s)	DOCK2-2-00-G	\$1,422.00
Base station with 1 fresh air and 1 gas inlet(s), 1 GasAlert Extreme module(s) (not compatible with ClO ₂ or O ₃), 1 Honeywell BW™ MicroClip XL/XT module(s) with charging, with charging power supply	DOCK2-2-1C1D1P-00-G	\$2,923.00
Base station with 1 fresh air and 1 gas inlet(s), 1 GasAlertMicro 5 Series module(s) with charging (not compatible with ClO ₂ or O ₃), with charging power supply	DOCK2-2-1C1K-00-G	\$2,392.00
Base station with 1 fresh air and 1 gas inlet(s), 1 Honeywell BW™ Max XT II module(s) with charging, with charging power supply	DOCK2-2-1C1M-00-G	\$2,208.00
Base station with 1 fresh air and 1 gas inlet(s), 1 Honeywell BW™ Max XT II module(s) with charging, 1 Honeywell BW™ MicroClip XL/XT module(s) with charging, with charging power supply, heavy-duty case kit (holds 1 base station, 1-3 docking module and 1-3 58 L gas cylinder (not included)) and DFR	DOCK2-2-1C1M1P-03-G	\$4,315.00
Base station with 1 fresh air and 1 gas inlet(s), 1 GasAlertQuattro module(s) with charging, with charging power supply	DOCK2-2-1C1N-00-G	\$2,184.00
Base station with 1 fresh air and 1 gas inlet(s), 1 GasAlertQuattro module(s) with charging, 1 Honeywell BW™ MicroClip XL/XT module(s) with charging, with charging power supply	DOCK2-2-1C1N1P-00-G	\$2,899.00
Base station with 1 fresh air and 1 gas inlet(s), 1 Honeywell BW™ MicroClip XL/XT module(s) with charging, with charging power supply	DOCK2-2-1C1P-00-G	\$2,208.00
Base station with 1 fresh air and 1 gas inlet(s), 1 Honeywell BW™ MicroClip XL/XT module(s) with charging, with charging power supply, hard case kit (holds 1 base station, 1 docking module and 1 34 L gas cylinder (not included)) and DFR	DOCK2-2-1C1P-01-G	\$2,823.00
Base station with 1 fresh air and 1 gas inlet(s), 2 Honeywell BW™ Max XT II module(s) with charging, 3 Honeywell BW™ MicroClip XL/XT module(s) with charging, with charging power supply	DOCK2-2-1C2M3P-00-G	\$5,065.00
Base station with 1 fresh air and 1 gas inlet(s), 5 Honeywell BW™ MicroClip XL/XT module(s) with charging, with charging power supply	DOCK2-2-1C5P-00-G	\$5,065.00
Base station with 1 fresh air and 1 gas inlet(s), 1 GasAlert Extreme module(s) (not compatible with ClO ₂ or O ₃)	DOCK2-2-1D-00-G	\$2,136.00
Base station with 1 fresh air and 1 gas inlet(s), 1 GasAlert Extreme module(s) (not compatible with ClO ₂ or O ₃), 1 Honeywell BW™ MicroClip XL/XT module(s) with charging, without charging power supply	DOCK2-2-1D1P-00-G	\$2,851.00

Full Product Index (continued)

MicroDock II	Order Number	Price (USD)
Base station with 1 fresh air and 1 gas inlet(s), 1 Honeywell BW™ Max XT II module(s) with charging, without charging power supply	DOCK2-2-1M-00-G	\$2,136.00
Base station with 1 fresh air and 1 gas inlet(s), 1 Honeywell BW™ MicroClip XL/XT module(s) with charging, without charging power supply	DOCK2-2-1P-00-G	\$2,136.00
Base station with 1 fresh air and 1 gas inlet(s), 1 Honeywell BW™ MicroClip XL/XT module(s) with charging, without charging power supply, hard case kit (holds 1 base station, 1 docking module and 1 34 L gas cylinder (not included)) and DFR	DOCK2-2-1P-01-G	\$2,751.00
Base station with 1 fresh air and 1 gas inlet(s), 1 Honeywell BW™ MicroClip XL/XT module(s) with charging, without charging power supply, heavy-duty case kit (holds 1 base station, 1-3 docking module and 1-3 58 L gas cylinder (not included)) and DFR	DOCK2-2-1P-03-G	\$3,529.00
Base station with 1 fresh air and 1 gas inlet(s), 2 Honeywell BW™ Max XT II module(s) with charging, without charging power supply	DOCK2-2-2M-00-G	\$2,851.00
Base station with 1 fresh air and 1 gas inlet(s), 2 Honeywell BW™ MicroClip XL/XT module(s) with charging, without charging power supply	DOCK2-2-2P-00-G	\$2,851.00
Base station with 1 fresh air and 2 gas inlet(s)	DOCK2-3-00-G	\$2,136.00
Base station with 1 fresh air and 2 gas inlet(s), 1 GasAlert Extreme module(s) (not compatible with ClO ₂ or O ₃), 1 Honeywell BW™ Max XT II module(s) with charging, 1 Honeywell BW™ MicroClip XL/XT module(s) with charging, with charging power supply	DOCK2-3-1C1D1M1P-00-G	\$4,430.00
Base station with 1 fresh air and 2 gas inlet(s), 1 GasAlert Extreme module(s) (not compatible with ClO ₂ or O ₃), 1 GasAlertQuattro module(s) with charging, 1 Honeywell BW™ MicroClip XL/XT module(s) with charging, with charging power supply, heavy-duty case kit (holds 1 base station, 1-3 docking module and 1-3 58 L gas cylinder (not included)) and DFR	DOCK2-3-1C1D1N1P-03-G	\$5,843.00
Base station with 1 fresh air and 2 gas inlet(s), 1 GasAlert Extreme module(s) (not compatible with ClO ₂ or O ₃), 1 Honeywell BW™ MicroClip XL/XT module(s) with charging, with charging power supply	DOCK2-3-1C1D1P-00-G	\$3,703.00
Base station with 1 fresh air and 2 gas inlet(s), 1 GasAlertMicro 5 Series module(s) with charging (not compatible with ClO ₂ or O ₃), with charging power supply	DOCK2-3-1C1K-00-G	\$3,106.00
Base station with 1 fresh air and 2 gas inlet(s), 1 Honeywell BW™ Max XT II module(s) with charging, 1 Honeywell BW™ MicroClip XL/XT module(s) with charging, with charging power supply	DOCK2-3-1C1M1P-00-G	\$3,703.00
Base station with 1 fresh air and 2 gas inlet(s), 1 Honeywell BW™ MicroClip XL/XT module(s) with charging, with charging power supply	DOCK2-3-1C1P-00-G	\$2,975.00
Base station with 1 fresh air and 2 gas inlet(s), 2 Honeywell BW™ Max XT II module(s) with charging, with charging power supply	DOCK2-3-1C2M-00-G	\$3,703.00
Base station with 1 fresh air and 2 gas inlet(s), 5 Honeywell BW™ MicroClip XL/XT module(s) with charging, with charging power supply	DOCK2-3-1C5P-00-G	\$5,884.00
Base station with 1 fresh air and 2 gas inlet(s), 6 Honeywell BW™ MicroClip XL/XT module(s) with charging, with charging power supply	DOCK2-3-1C6P-00-G	\$6,611.00
Base station with 1 fresh air and 2 gas inlet(s), 1 GasAlert Extreme module(s) (not compatible with ClO ₂ or O ₃), 1 GasAlertMicro 5 Series module(s) without charging (not compatible with ClO ₂ or O ₃), heavy-duty case kit (holds 1 base station, 1-3 docking module and 1-3 58 L gas cylinder (not included)) and DFR	DOCK2-3-1D1J-03-G	\$5,116.00
Base station with 1 fresh air and 2 gas inlet(s), 1 GasAlert Extreme module(s) (not compatible with ClO ₂ or O ₃), 1 GasAlertMicro 5 Series module(s) without charging (not compatible with ClO ₂ or O ₃), 1 Honeywell BW™ MicroClip XL/XT module(s) with charging, without charging power supply	DOCK2-3-1D1J1P-00-G	\$4,426.00
Base station with 1 fresh air and 2 gas inlet(s), 1 Honeywell BW™ MicroClip XL/XT module(s) with charging, without charging power supply	DOCK2-3-1P-00-G	\$2,903.00
Base station with 1 fresh air and 3 gas inlet(s)	DOCK2-4-00-G	\$2,350.00
Base station with 1 fresh air and 3 gas inlet(s), 1 GasAlert Extreme module(s) (not compatible with ClO ₂ or O ₃), 1 GasAlertMicro 5 Series module(s) with charging (not compatible with ClO ₂ or O ₃), 1 Honeywell BW™ MicroClip XL/XT module(s) with charging, with charging power supply	DOCK2-4-1C1D1K1P-00-G	\$4,862.00
Base station with 1 fresh air and 3 gas inlet(s), 1 GasAlert Extreme module(s) (not compatible with ClO ₂ or O ₃), 1 GasAlertMicro 5 Series module(s) with charging (not compatible with ClO ₂ or O ₃), 1 Honeywell BW™ MicroClip XL/XT module(s) with charging, with charging power supply, heavy-duty case kit (holds 1 base station, 1-3 docking module, and 1-3 58 L gas cylinder (not included)) and DFR	DOCK2-4-1C1D1K1P-03-G	\$6,279.00
Base station with 1 fresh air and 3 gas inlet(s), 1 GasAlert Extreme module(s) (not compatible with ClO ₂ or O ₃), 1 GasAlertQuattro module(s) with charging, with charging power supply	DOCK2-4-1C1D1N-00-G	\$3,918.00
Base station with 1 fresh air and 3 gas inlet(s), 1 GasAlert Extreme module(s) (not compatible with ClO ₂ or O ₃), 1 Honeywell BW™ MicroClip XL/XT module(s) with charging, with charging power supply	DOCK2-4-1C1D1P-00-G	\$3,920.00
Base station with 1 fresh air and 3 gas inlet(s), 1 Honeywell BW™ MicroClip XL/XT module(s) with charging, with charging power supply	DOCK2-4-1C1P-00-G	\$3,193.00
Base station with 1 fresh air and 3 gas inlet(s), 1 Honeywell BW™ MicroClip XL/XT module(s) with charging, without charging power supply	DOCK2-4-1P-00-G	\$3,121.00
Base station with 1 fresh air and 4 gas inlet(s)	DOCK2-5-00-G	\$2,564.00
Base station with 1 fresh air and 4 gas inlet(s), 1 GasAlert Extreme module(s) (not compatible with ClO ₂ or O ₃), 1 GasAlertMicro 5 Series module(s) with charging (not compatible with ClO ₂ or O ₃), 1 Honeywell BW™ MicroClip XL/XT module(s) with charging, with charging power supply	DOCK2-5-1C1D1K1P-00-G	\$5,079.00
Base station with 1 fresh air and 4 gas inlet(s), 1 Honeywell BW™ MicroClip XL/XT module(s) with charging, with charging power supply	DOCK2-5-1C1P-00-G	\$3,411.00

Full Product Index (continued)

MicroDock II	Order Number	Price (USD)
Base station with 1 fresh air and 4 gas inlet(s), 1 Honeywell BW™ MicroClip XL/XT module(s) with charging, without charging power supply	DOCK2-5-1P-00-G	\$3,338.00
MicroDock II Accessories	Order Number	Price (USD)
Hard-sided carrying case with space for one module and one 3/4 L gas cylinder	DOCK2-CC1	\$271.00
Heavy-duty carrying case with wheels with space for three modules and three 5/8 L gas cylinders	DOCK2-CC2	\$1,558.00
Network USB communication device	DOCK2-LAN-1P-NA	\$673.00
Wall mount adaptor (kit of 2) for MicroDock II modules and base station	WMA-DOCK	\$42.00
MicroDock II Replacements, Spares and Service Parts	Order Number	Price (USD)
Replacement diffusion cover adaptor	DOCK2-DA-1	\$37.00
Replacement GasAlertMicro 5 Series docking module lid assembly	DOCK2-M5LID	\$102.00
Replacement multimedia card	DOCK2-MMC	\$60.00
Replacement inlet filter	DOCK-IF-1	\$27.00
Replacement rubber seal for Honeywell BW™ Max XT II docking module inlet slider	XT-RSD-10	\$42.00

Connected Worker Solutions

Honeywell Safety Suite Device Manager (SSDM)	Order Number	Price (USD)
1 Device, 2 Year Subscription	SS-200-02-0000001	\$50.00
1 Device, 3 Year Subscription	SS-200-03-0000001	\$68.00
1 Device, 5 Year Subscription	SS-200-05-0000001	\$106.00

Honeywell Safety Suite Real Time (SSRT)	Order Number	Price (USD)
1 RT License, 1 Year Subscription	SS-400-01-0000001	\$100.00
1 RT License, 2 Year Subscription	SS-400-02-0000001	\$200.00
1 RT License, 3 Year Subscription	SS-400-03-0000001	\$270.00
1 RT License, 5 Year Subscription	SS-400-05-0000001	\$425.00
1 RT License, 3 Month Subscription	SS-400-3M-0000001	\$44.00
1 RT License, 6 Month Subscription	SS-400-6M-0000001	\$69.00
1 RT License, 9 Month Subscription	SS-400-9M-0000001	\$94.00
1 RT License SDK, 1 Year Data Integration Service (SDK)	SS-400-01-0000002	\$50.00
1 RT License SDK, 2 Year Data Integration Service (SDK)	SS-400-02-0000002	\$100.00
1 RT License SDK, 3 Year Data Integration Service (SDK)	SS-400-03-0000002	\$135.00
1 RT License SDK, 5 Year Data Integration Service (SDK)	SS-400-05-0000002	\$213.00

Note: Add-on option to the basic subscription, license count should be the same as basic subscription

Honeywell Safety Suite Responder (SSR)	Order Number	Price (USD)
1 RT License, 1 Year Subscription	SS-500-01-0000001	\$100.00
1 RT License, 2 Year Subscription	SS-500-02-0000001	\$200.00
1 RT License, 3 Year Subscription	SS-500-03-0000001	\$270.00
1 RT License, 5 Year Subscription	SS-500-05-0000001	\$425.00
1 RT License SDK, 1 Year Data Integration Service (SDK)	SS-500-01-0000002	\$50.00
1 RT License SDK, 2 Year Data Integration Service (SDK)	SS-500-02-0000002	\$100.00
1 RT License SDK, 3 Year Data Integration Service (SDK)	SS-500-03-0000002	\$135.00
1 RT License SDK, 5 Year Data Integration Service (SDK)	SS-500-05-0000002	\$213.00

Note: Add-on option to the basic subscription, license count should be the same as basic subscription

Professional Services	Order Number	Price (USD)
Professional Services Daily Rate	SS-000-00-0000001	\$2,000.00
Professional Services T&E Estimate	SS-000-00-0000002	\$938.00

Note: Minimum 2 day engagement, T&E expenses are billed at actuals

Wireless Connectivity	Order Number	Price (USD)
Honeywell BW™ Connect wireless adapter	BW-CONNECT	\$73.00

Note: A license is required to connect to real-time monitoring solutions such as Safety Suite Real Time. See page 72 for more information.

Calibration Equipment

Calibration Gas – Quint Gas Cylinders (5-gas mix)	Order Number	Price (USD)
CH ₄ (2.5%), O ₂ (18%), H ₂ S (25 ppm), CO (100 ppm), CO ₂ (0.5%), balance N ₂ , 34 L	CG-QT34-1	\$325.00
CH ₄ (2.5%), O ₂ (18%), H ₂ S (25 ppm), CO (100 ppm), CO ₂ (0.5%), balance N ₂ , 58 L	CG-QT58-1	\$474.00
Calibration Gas – Quad Gas Cylinders (4-gas mix)	Order Number	Price (USD)
CH ₄ (2.5%), O ₂ (18%), H ₂ S (25 ppm), CO (100 ppm), balance N ₂ , 34 L	CG-Q34-4	\$244.00
CH ₄ (2.5%), O ₂ (18%), H ₂ S (25 ppm), CO (100 ppm), balance N ₂ , 58 L	CG-Q58-4	\$299.00
CH ₄ (1.25% / 59 %LEL, pentane equivalent), O ₂ (18%), H ₂ S (25 ppm), CO (100 ppm), balance N ₂ , 34 L	CG-Q34-4JK	\$216.00
CH ₄ (1.25% / 59 %LEL, pentane equivalent), O ₂ (18%), H ₂ S (25 ppm), CO (100 ppm), balance N ₂ , 58 L	CG-Q58-4JK	\$299.00
O ₂ (18%), LEL (CH ₄ , 50%), CO (50 ppm), H ₂ S (25 ppm), balance N ₂ , 58 L	54-9043	\$428.00
O ₂ (18%), LEL (propane equivalent CH ₄ , 50%), CO (50 ppm), H ₂ S (25 ppm), balance N ₂ , 58 L	54-9044E	\$428.00
O ₂ (18%), LEL (propane equivalent CH ₄ , 50%), CO (50 ppm), H ₂ S (25 ppm), balance N ₂ , 34 L	54-9049E	\$251.00
Calibration Gas – Triple Gas Cylinders (3-gas mix)	Order Number	Price (USD)
CO (100 ppm), CH ₄ (2.5 %LEL, O ₂ (18%), balance N ₂ , 34 L (steel cylinder)	CG-TR34-1	\$90.00
CO (100 ppm), CH ₄ (2.5 %LEL, O ₂ (18%), balance N ₂ , 103 L	CG-TR103-1	\$209.00
H ₂ S (25 ppm), CH ₄ (2.5 %LEL), O ₂ (19%), balance N ₂ , 58 L	CG-JXH	\$374.00
O ₂ (18%), LEL (CH ₄ , 50%), CO (50 ppm), balance N ₂ , 103 L	54-9041	\$258.00
O ₂ (18%), LEL (propane equivalent CH ₄ , 50%), CO (50 ppm), balance N ₂ , 103 L	54-9042E	\$258.00
O ₂ (18%), LEL (pentane equivalent CH ₄ , 50%), CO (50 ppm), balance N ₂ , 103 L	54-9070E	\$258.00
Calibration Gas – Dual Gas Cylinders (2-gas mix)	Order Number	Price (USD)
CO (50 ppm) / O ₂ (18%), balance N ₂ , 103 L	54-9033	\$224.00
Methane (CH ₄ , 1.25% / 50 %LEL pentane equivalent), oxygen (O ₂ , 18%), balance N ₂ , 103 L	54-9068E	\$178.00
Methane (CH ₄ , 2.5% / 50 %LEL), oxygen (O ₂ , 18%), balance N ₂ , 34 L	54-9079	\$110.00
Methane (CH ₄ , 2.5% / 50 %LEL), O ₂ (18%), balance N ₂ , 58 L	CG2-JX-58	\$258.00
Carbon dioxide (CO ₂ , 2%), oxygen (O ₂ , 18%), balance N ₂ , 103 L	54-9081	\$198.00
Isobutylene (100 ppm), oxygen (O ₂ , 18% v/v) balance N ₂ 103 L	54-9082	\$218.00
Calibration Gas – Single Gas Cylinders	Order Number	Price (USD)
Ammonia (NH ₃ , 50 ppm), balance air, 34 L	CG2-A-50-34	\$374.00
Ammonia (NH ₃ , 50 ppm), balance N ₂ , 58 L	CG2-A-50-58	\$508.00
Ammonia (NH ₃ , 100 ppm), balance N ₂ , 58 L	CG2-A-100-58	\$488.00
Carbon dioxide (CO ₂ , 1% Vol /10,000 ppm), balance N ₂ , Size 34 L	CG2-B-10K-34	\$258.00
Carbon dioxide (CO ₂ , 5,000 ppm), balance N ₂ , 34 L	600-0139-000	\$112.00
Carbon dioxide (CO ₂ , 1% v/v), balance air, 103 L	2992-0029	\$223.00
Carbon monoxide (CO, 100 ppm), balance N ₂ , 34 L	CG2-M-100-34	\$83.00
Carbon monoxide (CO, 100 ppm), balance N ₂ , 58 L	CG2-M-100-58	\$238.00
Carbon monoxide (CO, 100 ppm), balance N ₂ , 103 L	CG2-M-100-103	\$209.00
Carbon monoxide (CO, 100 ppm) balance air, 103 L	GFV237	\$285.00
Chlorine (Cl ₂ , 2 ppm), balance N ₂ , 34 L	CG2-C-2-34	\$374.00
Chlorine (Cl ₂ , 5 ppm), balance N ₂ , 34 L	CG2-C-5-34	\$374.00
Chlorine (Cl ₂ , 2 ppm), balance N ₂ , 58 L	GFV253	\$438.00
Chlorine (Cl ₂ , 5 ppm), balance N ₂ , 58 L	CG2-C-5-58	\$522.00
Chlorine (Cl ₂ , 10 ppm), balance N ₂ , 58 L	54-9076	\$501.00
Chlorine (Cl ₂ , 10 ppm), balance N ₂ , 34 L	CG2-C-10-34	\$374.00
Ethylene oxide (ETO, 10 ppm), balance N ₂ , 58 L	CG2-E-10-58	\$508.00
Hydrogen (H ₂ , 2%), balance air, 103 L	CG2-F-2.0-103	\$204.00
Hydrogen (H ₂ , 200 ppm) balance air, 34 L	CG-H2-200-34	\$112.00
Hydrogen (H ₂ , 1000 ppm), balance air, 58 L	2992-0016	\$157.00
Hydrogen (H ₂ , 500 ppm), balance air, 103 L	1991-0159	\$165.00
Hydrogen chloride (HCl, 10 ppm), 58 L	CG2-L-10	\$508.00
Hydrogen cyanide (HCN, 10 ppm), balance N ₂ , 34 L	CG2-Z-10-34	\$374.00
Hydrogen cyanide (HCN, 10 ppm), balance N ₂ , 58 L	CG2-Z-10-58	\$508.00
Hydrogen cyanide (HCN, 10 ppm), balance N ₂ , 58 L	54-9054	\$569.00
Hydrogen sulfide (H ₂ S, 25 ppm), balance N ₂ , 34 L	CG2-H-25-34	\$218.00
Hydrogen sulfide (H ₂ S, 25 ppm), balance N ₂ , 58 L	CG3-H-25-58	\$258.00
Hydrogen sulfide (H ₂ S, 25 ppm), balance N ₂ , 58 L	G0042-H25	\$258.00
Hydrogen sulfide (H ₂ S, 25 ppm), balance N ₂ , 58 L	54-9034	\$258.00
Hydrogen sulfide (H ₂ S, 50 ppm), balance N ₂ , 58 L	CG2-H-50-58	\$238.00
Isobutylene (I-C ₄ H ₈ , 100 ppm), balance air, 34 L (aluminum cylinder)	CG2-IB-100-34AL	\$204.00
Isobutylene (I-C ₄ H ₈ , 100 ppm), balance air, 58 L (aluminum cylinder)	CG2-IB-100-58AL	\$238.00

Full Product Index (continued)

Calibration Gas – Single Gas Cylinders	Order Number	Price (USD)
Isobutylene (100 ppm), balance air, 103 L	119046-L3	\$190.00
Methane (CH ₄ , 2.5% / 50 %LEL), balance air, 34 L (steel cylinder)	CG2-J-2.5-34	\$83.00
Methane (CH ₄ , 2.5% / 50 %LEL), balance air, 34 L (aluminum cylinder)	CG2-J-2.5-34AL	\$184.00
Methane (CH ₄ , 2.5% / 50 %LEL), balance air, 58 L	CG2-J-2.5-58	\$258.00
Methane (CH ₄ , 2.5% / 50 %LEL), balance air, 103 L	CG2-J-2.5	\$184.00
Nitric oxide (NO, 50 ppm), balance N ₂ , 34 L	CG2-N-50-34	\$374.00
Nitric oxide (NO, 30 ppm) balance N ₂ , 58 L	54-9055	\$569.00
Nitric oxide (NO, 100 ppm), balance N ₂ , 58 L	2992-0035	\$356.00
Nitrogen (N ₂ , 100%), 34 L	CG-G0043-N2-34	\$83.00
Nitrogen (N ₂ , 99.8% v/v), 58 L	2992-0011	\$270.00
Nitrogen (N ₂ , 99.9%+ v/v, O ₂ <0.1% v/v) 103 L	54-9035	\$198.00
Nitrogen dioxide (NO ₂ , 10 ppm), balance air, 34 L	CG2-D-10-34	\$374.00
Nitrogen dioxide (NO ₂ , 25 ppm), balance N ₂ , 34 L	CG2-D-25-34	\$374.00
Nitrogen dioxide (NO ₂ , 5 ppm) balance N ₂ , 58 L	54-9056	\$569.00
Oxygen (O ₂ , 18%), balance N ₂ , 34 L	CG2-X-18.0-34	\$83.00
Pentane (C ₅ H ₁₂ , 0.75% Vol / 50 %LEL), balance air, 34 L	CG2-K-0.75-34	\$83.00
Phosphine (PH ₃ , 1 ppm), balance N ₂ , 34 L	CG2-P-1-34	\$508.00
Phosphine (PH ₃ , 5 ppm), balance N ₂ , 58 L	54-9065	\$569.00
Propane (C ₃ H ₈ , 1% Vol / 5 0%LEL), balance air, 34 L	CG2-R-1.0-34	\$83.00
Sulfur dioxide (SO ₂ , 5 ppm) balance air, 34 L	GFV450	\$168.00
Sulfur dioxide (SO ₂ , 10 ppm), balance N ₂ , 34 L	CG2-S-10-34	\$204.00
Sulfur dioxide (SO ₂ , 10 ppm), balance N ₂ , 58 L	CG2-S-10-58	\$251.00
Sulfur dioxide (SO ₂ , 10 ppm), balance N ₂ , 58 L	2992-0003	\$218.00
Sulfur dioxide (SO ₂ , 20 ppm), balance N ₂ , 34 L	CG2-S-20-34	\$204.00
Sulfur dioxide (SO ₂ , 20 ppm), balance N ₂ , 58 L	CG2-S-20-58	\$244.00
Sulfur dioxide (SO ₂ , 25 ppm), balance N ₂ , 58 L	CG2-S-25	\$244.00
Zero air, 103 L	CG-ZERO	\$178.00
Zero air, 34 L (steel cylinder)	CG-ZERO-34	\$83.00
Calibration Gas – Test Gases	Order Number	Price (USD)
Bump alarm test gas aerosol H ₂ S (100 ppm), balance N ₂	CG-BUMP-H25	\$90.00
Bump alarm test gas aerosol CO (100 ppm), balance N ₂	CG-BUMP-M100	\$90.00
Bump alarm test gas aerosol H ₂ S (100 ppm), CO (200 ppm), CH ₄ (2.5%), O ₂ (10%), balance N ₂	CG-BUMP1	\$90.00
Calibration Accessories	Order Number	Price (USD)
Spare balloons for bump gas (kit of 10)	CG-BUMP-B	\$17.00
Spare balloon assembly kit with hose (1/8 in I.D., 3/16 in O.D.) and adaptor for bump gas	CG-BUMP-B-K	\$25.00
Regulator, standard service 1.0 LPM flow	12-023P	\$247.00
Calibration gas regulator (0.5 LPM)	REG-0.5	\$228.00
Calibration gas regulator (1.0 LPM)	REG-1.0	\$225.00
Calibration gas regulator (0.5 LPM)	REG2-0.5	\$241.00
Calibration gas regulator, trigger-style (for use with G0042-H25-BUMP only)	REG-TRIG1	\$321.00
Demand flow regulator, standard service	12-061	\$527.00
Demand flow regulator	REG-DF-1	\$511.00
Demand flow regulator for refillable cylinders, CGA connector	REG-DF-2	\$634.00
Demand flow regulator for disposable steel cylinders	REG-DF-3	\$709.00
Operational check kit (calibration kit includes 1.0 LPM regulator (12-023P), O ₂ /LEL (CH ₄ propane equivalent)/CO/H ₂ S 58 L calibration gas (54-9044E), tubing, test cap for PhD6 and carrying case)	54-05-K0502	\$795.00
58 L or 34 L calibration cylinder blue carrying case	CK2-CASE1	\$106.00
Wall mount (adjustable) for 34 L, 58 L or 103 L gas cylinders, red	MK-CG2-58	\$129.00
Recycle kit for calibration gas cylinders	CG-RK-1	\$241.00
Calibration Replacements, Spares and Service Parts	Order Number	Price (USD)
Quick connect fitting spares for hoses (kit of 2)	M0931K	\$57.00

General Accessories, Replacements, Spares and Service Parts

Full Product Index (continued)

General Portables Accessories	Order Number	Price (USD)
Sampling hose (3 m (10 ft), 3/16 in I.D., 5/16 in O.D.). <i>Note: Not for use with reactive gases.</i>	50113284-005	\$144.00
Sampling hose (15 m (50 ft), 3/16 in I.D., 5/16 in O.D.). <i>Note: Not for use with reactive gases.</i>	50113284-006	\$308.00
30 m (100 ft) hose (Teflon-lined for reactive gases)	50113284-007	\$378.00
Connector fitting for Teflon-lined hose (C2-HOSE4-1)	C2-CF-HOSE4	\$25.00
Calibration hose, Tygon (0.3 m (1 ft), 1/8 in I.D., 1/4 in O.D.)	C2-HOSE1-1	\$10.00
Calibration hose, Tygon (3 m (10 ft), 1/8 in I.D., 1/4 in O.D.)	C2-HOSE1-10	\$42.00
Calibration hose, Tygon (1.5 m (5 ft), 1/8 in I.D., 1/4 in O.D.)	C2-HOSE1-5	\$25.00
1 m (3 ft) calibration hose	C2-HOSE2	\$49.00
0.3 m (1 ft) Sample draw tubing - Teflon lined for use with reactive gases	C2-HOSE4-1	\$25.00
Manual aspirator pump kit with sampling hose (3 m (10 ft), 1/8 in I.D., 1/4 in O.D.). <i>Note: no instrument adaptors or probes included.</i>	D4-AS01	\$155.00
Manual aspirator pump kit with probe (0.3 m (1 ft))	GA-AS02	\$155.00
Chest harness	GA-CH-2	\$102.00
Collapsible aluminum sample probe with handle (1 m (3.3 ft)), Tygon hose (1/8 in I.D., 1/4 in O.D.)	GA-CPROB1	\$118.00
Collapsible aluminum sample probe with handle (1.8 m (6 ft)), Tygon hose (1/8 in I.D., 1/4 in O.D.)	GA-CPROB2	\$170.00
Extension strap (1.2 m (4 ft))	GA-ES-1	\$60.00
Sampling float	GA-FLOAT	\$118.00
Hard hat clip (non-conductive)	GA-HC-1	\$33.00
Short strap (15.2 cm (6 in))	GA-LY-1	\$17.00
Neck strap with safety release	GA-NS-1	\$25.00
Multi-unit (5) power adaptor, NA version (North America)	GA-PA-1-MC5-NA	\$155.00
12 V _{DC} to 24 V _{DC} direct-wire power adaptor	GA-PA-3	\$64.00
Sample probe with hydrophobic and particulate filters	GA-PROB1-1	\$56.00
Telescope screwdriver for GasAlert series (double-end hex and phillips) kit of 5	GA-SDRIVER	\$25.00
IR connectivity kit for Safety Suite	GA-USB1-IR	\$125.00
12 V _{DC} to 24 V _{DC} vehicle power adaptor	GA-VPA-1	\$52.00
Sampling hose (3 m (10 ft), 1/8 in I.D., 1/4 in O.D.) kit - with connectors and 3 particulate filters	HOSE1-10	\$149.00
Sampling hose (6.1 m (20 ft), 1/8 in I.D., 1/4 in O.D.) kit - with connectors and 3 particulate filters	HOSE1-20	\$192.00
Sampling hose (19.8 m (65 ft), 1/8 in I.D., 1/4 in O.D.) kit - with connectors and 3 particulate filters	HOSE1-65	\$348.00
Sampling hose (22.8 m (75 ft), 1/8 in I.D., 1/4 in O.D.) kit - with connectors and 3 particulate filters. <i>Note: For use with Honeywell BW™ Max XT II only.</i>	HOSE1-75	\$385.00
Sampling hose (3 m (10 ft), 1/8 in I.D., 1/4 in O.D.) kit, Teflon lined for reactive gases, with connectors and 3 particulate filters	HOSE2-10	\$149.00
Sampling hose (6.1 m (20 ft), 1/8 in I.D., 1/4 in O.D.) kit, Teflon lined for reactive gases, with connectors and 3 particulate filters	HOSE2-20	\$192.00
Sampling hose (19.8 m (65 ft), 1/8 in I.D., 1/4 in O.D.) kit, Teflon lined for reactive gases, with connectors and 3 particulate filters	HOSE2-65	\$348.00
Sampling hose (22.8 m (75 ft), 1/8 in I.D., 1/4 in O.D.) kit, Teflon lined for reactive gases with connectors and 3 particulate filters. <i>Note: For use with Honeywell BW™ Max XT II only.</i>	HOSE2-75	\$385.00
Replacement end cap for probe (54-05-A0403)	10-268	\$9.00
Replacement filter kit for sample probe 54-05-A0403	54-05-K0401	\$25.00
Replacement filter kit for probe (54-05-A0403) - particulate filters (kit of 30) and hydrophobic filters (kit of 10)	54-05-K0403	\$112.00
Replacement long filters (kit of 100) for sample probe 54-05-A0403	54-05-K0405	\$84.00
Replacement particulate filter for probe (54-05-A0403)	61-001	\$9.00
Replacement hydrophobic filter with male connector for manual aspirator pumps	D4-WT-1	\$26.00
Alligator-style clip (stainless steel) with screw (included with detector)	GA-AG-2	\$33.00
Metallic sintered particulate filter	GA-MFILTER	\$35.00
Replacement power adaptor, NA version (North America)	GA-PA-1-NA	\$26.00
Replacement filter and gasket kit for one for sample probe (GA-PROB1-1)	GA-PROB-FIL-K1	\$33.00
Replacement particulate filter for GA-PROB1-1 (kit of 25)	GA-PROB-PFIL-K25	\$99.00
BW syringe filter replacements for sample probe (GA-PROB1-1)	GA-SFIL	\$17.00
BW syringe filter kit (kit of 20) replacements for sample probe (GA-PROB1-1)	GA-SFIL-K1	\$163.00
Replacement vibration motor for BW portable gas detectors	GA-VM-2	\$26.00
Replacement power supply for chargers	POWER-UPS-01	\$115.00
Replacement particulate filter for GA-PROB1-1 (kit of 5)	PROBE-FIL-1	\$25.00
Water trap with barbed connectors	WT-2	\$184.00
Sample probe assembly. <i>Note: Hose, squeeze bulb and calibration/test cap sold separately.</i>	54-05-A0403	\$46.00
Honeywell BW™ Connect wireless adapter	BW-CONNECT	\$73.00

Full Product Index (continued)

General Portables Accessory Spares	Order Number	Price (USD)
Replacement power adaptor, NA version (North America)	GA-PA-1-NA	\$26.00
Replacement power supply for chargers	POWER-UPS-01	\$115.00
Replacement filter kit for sample probe 54-05-A0403	54-05-K0401	\$25.00
Replacement filter kit for probe (54-05-A0403) - particulate filters (kit of 30) and hydrophobic filters (kit of 10)	54-05-K0403	\$112.00
Replacement long filters (kit of 100) for sample probe 54-05-A0403	54-05-K0405	\$84.00
Replacement particulate filter for probe (54-05-A0403)	61-001	\$9.00
Replacement filter and gasket kit for one for sample probe (GA-PROB1-1)	GA-PROB-FIL-K1	\$33.00
Replacement particulate filter for GA-PROB1-1 (kit of 25)	GA-PROB-PFIL-K25	\$99.00
BW syringe filter replacements for sample probe (GA-PROB1-1)	GA-SFIL	\$17.00
BW syringe filter kit (kit of 20) replacements for sample probe (GA-PROB1-1)	GA-SFIL-K1	\$163.00
Replacement particulate filter for GA-PROB1-1 (kit of 5)	PROBE-FIL-1	\$25.00
Replacement hydrophobic filter with male connector for manual aspirator pumps	D4-WT-1	\$26.00
Metallic sintered particulate filter	GA-MFILTER	\$35.00
Water trap with barbed connectors	WT-2	\$184.00
Alligator-style clip (stainless steel) with screw (included with detector)	GA-AG-2	\$33.00
Replacement vibration motor for BW portable gas detectors	GA-VM-2	\$26.00

Replacement Sensors	Order Number	Price (USD)
Replacement Duo-Tox sensor - carbon monoxide (CO) and hydrogen sulfide (H ₂ S), for GasAlertMicro 5 Series	D4-RHM04	\$521.00
Replacement chlorine (Cl ₂) sensor, for Honeywell BW™ Solo, GasAlert Extreme and GasAlertMicro 5 Series <i>Note: 1 year warranty.</i>	PS-RC10	\$498.00
Replacement nitrogen dioxide (NO ₂) sensor, for Honeywell BW™ Solo, GasAlert Extreme and GasAlertMicro 5 Series	PS-RD04	\$534.00
Replacement hydrogen sulfide (H ₂ S) sensor, for Honeywell BW™ Solo, GasAlert Extreme and GasAlertMicro 5 Series	PS-RH04S	\$322.00
Replacement carbon monoxide (CO-H) sensor, H ₂ resistant, for GasAlert Extreme	PS-RM04H	\$428.00
Replacement sulfur dioxide (SO ₂) sensor, for Honeywell BW™ Solo, GasAlert Extreme and GasAlertMicro 5 Series	PS-RS04	\$498.00
Replacement hydrogen cyanide (HCN) sensor, for GasAlert Extreme and GasAlertMicro 5 Series <i>Note: 1 year warranty.</i>	PS-RZ10	\$534.00
Replacement ammonia (NH ₃) sensor, for Honeywell BW™ Solo, GasAlert Extreme and GasAlertMicro 5 Series <i>Note: 1 year warranty.</i>	SR-A04	\$498.00
Replacement ammonia (NH ₃) sensor (4R+), for Honeywell BW™ Ultra	SR-A1-4R	\$583.00
Replacement ammonia (NH ₃) sensor, extended range, for Honeywell BW™ Solo, GasAlert Extreme and GasAlertMicro 5 Series <i>Note: 1 year warranty.</i>	SR-A204	\$498.00
Replacement carbon dioxide (CO ₂) sensor, for Honeywell BW™ Solo	SR-B1-1S	\$424.00
Replacement carbon dioxide (CO ₂) IR sensor, for GasAlertMicro 5 Series	SR-B04	\$1,419.00
Replacement carbon dioxide (CO ₂) IR sensor (4R+), for Honeywell BW™ Ultra	SR-B1-4R	\$1,419.00
Replacement chlorine (Cl ₂) sensor (4R+), for Honeywell BW™ Ultra <i>Note: 1 year warranty.</i>	SR-C1-4R	\$583.00
Replacement nitrogen dioxide (NO ₂) sensor (4R+), for Honeywell BW™ Ultra	SR-D1-4R	\$583.00
Dummy sensor for the oxygen sensor location, for all BW Portables products	SR-DUMM1	\$24.00
1-Series dummy sensor, for Honeywell BW™ Ultra and Honeywell BW™ Icon+	SR-DUMM-1S	\$23.00
Dummy sensor for the combustible (LEL) location, for GasAlertQuattro and GasAlertMicro 5 Series	SR-DUMM2	\$24.00
Dummy sensor for PID location, for GasAlertMicro 5 Series	SR-DUMM3	\$24.00
4R+ dummy sensor, for Honeywell BW™ Ultra	SR-DUMM-4R	\$24.00
Replacement ethylene oxide (ETO) sensor, for GasAlert Extreme <i>Note: 1 year warranty.</i>	SR-E04	\$441.00
Replacement ethylene oxide (ETO) sensor (4-Series)*, for Honeywell BW™ Solo <i>Note: 1 year warranty.</i>	SR-ER04	\$670.00
Replacement ozone (O ₃) sensor, for Honeywell BW™ Solo, GasAlert Extreme and GasAlertMicro 5 Series <i>Note: 1 year warranty.</i>	SR-G04	\$747.00
Replacement hydrogen sulfide (H ₂ S) sensor, for GasAlertQuattro	SR-H04-SC	\$201.00
Replacement hydrogen sulfide (H ₂ S) sensor (1-Series), for Honeywell BW™ Solo, Honeywell BW™ Icon+ and Honeywell BW™ Ultra	SR-H1-1S	\$339.00
Replacement MICROceL hydrogen sulfide (H ₂ S) sensor, for Honeywell BW™ MicroClip and Honeywell BW™ Max XT II	SR-H-MC	\$145.00
Replacement carbon monoxide (CO) sensor, for GasAlert Extreme, GasAlertQuattro and GasAlertMicro 5 Series	SR-M04-SC	\$305.00
Replacement carbon monoxide (CO) sensor (1-Series), for Honeywell BW™ Solo, Honeywell BW™ Icon+ and Honeywell BW™ Ultra	SR-M1-1S	\$339.00
Replacement carbon monoxide (CO) sensor, hydrogen (H ₂) resistant (4R+), for Honeywell BW™ Ultra	SR-M2-4R	\$569.00
Replacement MICROceL carbon monoxide (CO) sensor, for Honeywell BW™ MicroClip and Honeywell BW™ Max XT II	SR-M-MC	\$164.00
Replacement carbon monoxide, hydrogen (H ₂) resistant (CO-H) sensor (4-Series), for Honeywell BW™ Solo	54-47-19	\$676.00
Replacement nitric oxide (NO) sensor, for GasAlert Extreme and GasAlertMicro 5 Series	SR-N04	\$576.00
Replacement nitrogen monoxide (NO) sensor (4R+), for Honeywell BW™ Ultra	SR-N1-4R	\$583.00
Replacement nitric oxide (NO) sensor (4-Series), for Honeywell BW™ Solo	SR-NR04	\$484.00
Replacement phosphine (PH ₃) sensor, for Honeywell BW™ Solo, GasAlert Extreme and GasAlertMicro 5 Series	SR-P04	\$498.00

Full Product Index (continued)

Replacement Sensors	Order Number	Price (USD)
Replacement volatile organic compounds (VOC) PID sensor, 10.6 eV, for GasAlertMicro 5 Series	SR-Q07	\$1,207.00
Replacement volatile organic compounds (VOC) PID sensor (4R+), for Honeywell BW™ Ultra <i>Note: 1 year warranty.</i>	SR-Q1-4R	\$1,419.00
Replacement hydrogen (H ₂) sensor (4R+), for Honeywell BW™ Ultra	SR-R1-4R	\$583.00
Replacement hydrogen (H ₂) sensor (4-Series), for Honeywell BW™ Solo	SR-RR04	\$670.00
Replacement sulfur dioxide (SO ₂) sensor (4R+), for Honeywell BW™ Ultra	SR-S1-4R	\$569.00
Replacement sulfur dioxide (SO ₂) sensor (4R+), for Honeywell BW™ Icon+	SR-S3-1S	\$261.00
Dummy sensor for toxic sensor locations, for Honeywell BW™ MicroClip and Honeywell BW™ Max XT II	SR-TOX-MC-DUM	\$24.00
Replacement chlorine dioxide (ClO ₂) sensor, for Honeywell BW™ Solo, GasAlert Extreme and GasAlertMicro 5 Series <i>Note: 1 year warranty.</i>	SR-V04	\$534.00
Replacement combustible (LEL) sensor with heavy-duty silicone filter*, for GasAlertMicro 5 Series	SR-W04	\$243.00
Replacement combustible (LEL) sensor, for GasAlertQuattro (unfiltered)	SR-W04-75	\$229.00
Replacement combustible (LEL) sensor, for GasAlertQuattro	SR-W04-75C	\$231.00
Replacement combustible (LEL) sensor without heavy-duty silicone filter*	SR-W04-UF	\$243.00
Replacement combustible (LEL) sensor (filtered, 1-Series), for Honeywell BW™ Ultra	SR-W1-1S	\$357.00
Replacement combustible (LEL) sensor (unfiltered, 1-Series), for Honeywell BW™ Ultra	SR-W2-1S	\$367.00
Replacement combustible (LEL) sensor (carbon filtered for mining, 1-Series), for Honeywell BW™ Ultra	SR-W3-1S	\$367.00
Replacement combustible (LEL) sensor (1-Series), for Honeywell BW™ Icon/Icon+	SR-W5-1S	\$288.00
Replacement combustible (LEL) IR sensor (4R+), for Honeywell BW™ Ultra	SR-W4-4R	\$1,419.00
Dummy sensor for combustible (LEL) sensor location, for Honeywell BW™ MicroClip and Honeywell BW™ Max XT II	SR-W-MC-DUM	\$24.00
Replacement MICROpeL combustible (LEL) sensor, for Honeywell BW™ MicroClip and Honeywell BW™ Max XT II, unfiltered	SR-W-MP75	\$171.00
Replacement MICROpeL combustible (LEL) sensor, for Honeywell BW™ MicroClip and Honeywell BW™ Max XT II	SR-W-MP75C	\$164.00
Replacement oxygen (O ₂) sensor (1-Series), for Honeywell BW™ Solo, Honeywell BW™ Icon+ and Honeywell BW™ Ultra	SR-X1-1S	\$271.00
Replacement oxygen (O ₂) sensor for GasAlert Extreme, Honeywell BW™ MicroClip XL, GasAlertQuattro, Honeywell BW™ MaxXT II and GasAlertMicro 5 Series	SR-X2V	\$224.00
Replacement oxygen (O ₂) sensor for use with GasAlert MicroClip X3	SR-X3P	\$309.00
Replacement hydrogen cyanide (HCN) sensor (4R+), for Honeywell BW™ Ultra	SR-Z1-4R	\$569.00
Replacement hydrogen cyanide (HCN) sensor (4-Series), for Honeywell BW™ Solo	SR-ZR04	\$482.00
Sensor conditioning station for 4R+ sensors, for Honeywell BW™ Ultra	T03-0001-000	\$729.00
PID 4R+ sensor top cover removal tool (kit of 3), for Honeywell BW™ Ultra	G02-0306-003	\$53.00
PID sensor lamp cleaning kit, for Honeywell BW™ Ultra	081-0017-000	\$82.00

Appendix

- 108 Filtered Catalytic Bead Combustible (LEL) Sensor Information
- 109 Portable Gas Detection Sensor Replacement Guide
- 111 PID Information
- 112 PID Detectable Gases
- 113 USA Quick Ship Program and Standard Lead Times
- 114 Honeywell Analytics Online
- 116 Warranty, Repair, Service and Returns



Appendix

- 108 Filtered Catalytic Bead Combustible (LEL) Sensor Information
- 109 Portable Gas Detection Sensor Replacement Guide
- 111 PID Information
- 112 PID Detectable Gases
- 113 USA Quick Ship Program and Standard Lead Times
- 114 Honeywell Analytics Online
- 116 Warranty, Repair, Service and Returns



Filtered Catalytic Bead Combustible (LEL) Sensor Information

Honeywell multi-gas detectors are offered with an unfiltered combustible gas (LEL) sensor. The filtered LEL sensor provides enhanced resistance to airborne sensor poisons such as volatile silicone vapors and high concentrations of hydrogen sulfide gas. Due to the physical size of some molecules, the filtered LEL sensor is not typically suitable for the detection of some compounds including complex hydrocarbons, alcohols, ketones and esters. The filtered LEL sensor is suitable for the detection of less complex molecules including C₁ to C₆ hydrocarbons, hydrogen and acetylene.

For applications requiring the detection of more complex compounds, select a detector with an unfiltered LEL sensor. Consult the following chart for assistance in selecting a suitable combustible sensor.

Explosive Gas/Vapour	Detectable by Non-Filtered LEL Sensor	Detectable by Filtered LEL Sensor
Hydrogen (H ₂)	●	●
Methane (CH ₄)	●	●
Ethane (C ₂ H ₆)	●	●
Propane (C ₃ H ₈)	●	●
n-Butane (C ₄ H ₁₀)	●	●
n-Pentane (C ₅ H ₁₂)	●	●
n-Hexane (C ₆ H ₁₄)	●	●
n-Heptane (C ₇ H ₁₆)	●	
n-Octane (C ₈ H ₁₈)	●	
n-Nonane (C ₉ H ₂₀)	●	
Methanol (CH ₃ OH)	●	
Ethanol (C ₂ H ₆ O)	●	
Iso-propyl alcohol (C ₃ H ₈ O)	●	
Acetylene (C ₂ H ₂)	●	●
1, 3 Butadiene (C ₄ H ₆)	●	●
Carbon monoxide (CO)	●	●
Acetone (C ₃ H ₆ O)	●	
Methyl ethyl ketone (C ₄ H ₈ O)	●	
Toluene (C ₇ H ₈)	●	
Ethyl acetate (C ₄ H ₈ O ₂)	●	
Ammonia (NH ₃)	●	●
Cyclohexane (C ₆ H ₁₂)	●	●
Gasoline	●	
Ethylene (C ₂ H ₄)	●	●
Benzene (C ₆ H ₆)	●	

Note: This list is not all-inclusive. As combustible sensors are a non-specific sensing technology, it is recommended you verify detection capabilities for any specific compounds. Catalytic bead sensors are typically not recommended for detection of combustible gases with flash points greater than 37.8° C (100° F).

Portable Gas Detection Sensor Replacement Guide

Manufacturer's Description	Honeywell BW Clip® Series*	Honeywell BW™ Solo	Honeywell BW™ Icon	Honeywell BW™ Icon+	Honeywell BW™ Flex	Honeywell BW™ MicroClip XT/XL	Honeywell BW™ MicroClip X3	Honeywell BW™ Clip4*	GasAlert Quattro	Honeywell BW™ Max XT II	GasAlert Micro 5 Series	Honeywell BW™ Ultra	ToxiPro	MultiPro†	Part/ Material Number
Ammonia (NH₃)															
NH ₃ 3E 100 SE		●									●				SR-A04
NH ₃ 3E 1000 SE (extended range)		●													SR-A204
NH ₃ 4R+												●			SR-A1-4R
NH ₃ 3E 100 SE													●		54-47-21
NH ₃ 3E 100 SE (SMART)															54-54-21
Carbon Dioxide (CO₂)															
MSH-P/CO ₂ /5/V/P											●				SR-B04
CO ₂ 4R+ NDIR		●										●			SR-B1-4R
MSH-P/CO ₂ /3/V/N (SMART)															54-54-50
Carbon Monoxide (CO)															
CO 3E 500 S, H ₂ resistant															PS-RM04H
MICROcel CF						●	●			●					SR-M-MC
Surecell CO (M)									●		●				SR-M04-SC
Surecell CO (M)	●														N/A
1CO		●	●	●	●							●			SR-M1-1S
CO 4R+, H ₂ resistant												●			SR-M2-4R
CO-AF													●		54-47-01
CO-AX, H ₂ resistant		●											●		54-47-19
CO-AX, H ₂ resistant														●	54-49-19
CO-AF														●	54-49-25
CO-AX (SMART)															54-54-19
CO-AF (SMART)															54-54-01
2CF, H ₂ resistant (SMART)															54-54-25
Carbon Monoxide and Hydrogen Sulfide (CO / H₂S)															
4COSH											●				D4-RHM04
4COSH								●							N/A
4COSH														●	54-49-14
4COSH (SMART)															54-54-14
Chlorine (Cl₂)															
Cl ₂ 3E 50		●									●				PS-RC10
Cl ₂ 4R+												●			SR-C1-4R
Cl ₂ 3E 50													●		54-47-18
Cl ₂ 3E 50 (SMART)															54-54-18
Chlorine Dioxide (ClO₂)															
ClO ₂ 3E 1 O		●									●				SR-V04
ClO ₂ 3E 1 O													●		54-47-20
ClO ₂ 3E 1 O (SMART)															54-54-20
Combustible IR (0% v/v to 5% v/v)															
MSH-P/HC/3/V/N/F (SMART)															54-54-51
Combustible (%LEL)															
4P-90 (unfiltered)											●				SR-W04-UF
4P-90C											●				SR-W04
4P-75 (unfiltered)									●						SR-W04-75
4P-75C									●						SR-W04-75C
MICROpel75 (unfiltered)						●	●			●					SR-W-MP75
MICROpel 75C						●	●			●					SR-W-MP75C
MiPex-04								●							N/A
1 LEL 75C (filtered)												●			SR-W1-1S
1 LEL 75 (unfiltered)												●			SR-W2-1S
1 LEL 75M (carbon filtered)												●			SR-W3-1S
CH ₄ 4R+ NDIR												●			SR-W4-4R
KGS 701														●	54-49-80C
KGS 701 (SMART)															54-54-80C
Cranberry			●	●	●										SR-W5-1S
Ethylene Oxide (ETO)															
4 ETO															SR-E04
ETO-A1		●													SR-ER04

Portable Gas Detection Sensor Replacement Guide

Manufacturer's Description	Honeywell BW Clip® Series*	Honeywell BW™ Solo	Honeywell BW™ Icon	Honeywell BW™ Icon+	Honeywell BW™ Flex	Honeywell BW™ MicroClip XT/XL	Honeywell BW™ MicroClip X3	Honeywell BW™ Clip4*	GasAlert Quattro	Honeywell BW™ Max XT II	GasAlert Micro 5 Series	Honeywell BW™ Ultra	ToxiPro	MultiPro†	Part/ Material Number
Hydrogen (H₂)															
4HYT		●													SR-RR04
H2 4R+												●			SR-R1-4R
Hydrogen Chloride (HCl)															
HCl 3E 30		●													SR-HC-4S
Hydrogen Cyanide (HCN)															
HCN 3E 30F											●				PS-RZ10
HCN-A1		●													SR-ZR04
HCN 4R+												●			SR-Z1-4R
HCN 3E 30F													●		54-47-23
HCN 3E 30F (SMART)															54-54-23
Hydrogen Fluoride (HF)															
HF 10 SE		●													SR-HF-4S
Hydrogen Sulfide (H₂S)															
Surecell H ₂ S (M)	○														N/A
4HS/LM		●									●				PS-RH04S
MICROceL HS						●	●			●					SR-H-MC
Surecell H ₂ S (M)									●						SR-H04-SC
1H ₂ S		●	●	●	●							●			SR-H1-1S
H ₂ S-A1													●		54-47-02
H ₂ S-A1														●	54-49-02
H ₂ S-A1 (SMART)															54-54-02
Nitric Oxide (NO)															
4NT															SR-N04
NO-A1		●													SR-NR04
NO 4R+													●		SR-N1-4R
4NT (SMART)															54-54-06
Nitrogen Dioxide (NO₂)															
4ND		●									●				PS-RD04
NO ₂ 4R+												●			SR-D1-4R
NO ₂ -A1													●		54-47-24
Oxygen (O₂)															
O ₂ -A2	○														N/A
1O ₂		●	●	●	●							●			SR-X1-1S
4OXV						●			●	●	●				SR-X2V
40xLL							●								SR-X3P
4OXV								○							N/A
O ₂ -A2													●		54-47-90
4OXV														●	54-49-90
4OXV (SMART)															54-54-90
Ozone (O₃)															
O ₃ 3E 1		●									●				SR-G04
Phosphine (PH₃)															
4PH-FAST		●									●				SR-P04
4PH-FAST													●		54-47-13
4PH-FAST (SMART)															54-54-13
Photoionization Detector (PID)															
PID 10.6EV 4R+												●			SR-Q1-4R
PID-A1 (SMART)															54-54-52
Sulfur Dioxide (SO₂)															
4S	○														N/A
4S		●									●				PS-RS04
SO ₂ 4R+												●			SR-S1-4R
4S													●		54-47-03
4S (SMART)															54-54-03
1SO ₂				●	●										SR-S3-1S

NOTE: *Honeywell BW Clip® Series and Honeywell BW™ Clip4 detector sensors (denoted by ○) are not serviceable. †Not CSA Approved.

VOCs and PID

VOCs are organic compounds characterized by a tendency to evaporate easily at room temperature with the potential of forming a toxic gas concentration. While some volatile organic compounds (VOCs) are acutely toxic at low concentrations, the harmful effects of most VOCs are delayed. Negative effects may occur long after the primary exposure thus many people ignore the potential danger. Long-term effects can include leukemia, memory problems, loss of hand-eye coordination, cancer and a range of other physiological affects. Many personnel throughout the world are unprotected from VOCs in their daily work either because they are unaware of the toxic hazards or because they are without a detector that detects for these gas concentrations.

Most VOCs have surprisingly low occupational exposure limits. An increased awareness has resulted in several newly revised VOC exposure limits, including TLVs for diesel vapor, kerosene and gasoline. Photoionization detectors (PIDs) are able to detect VOCs and large hydrocarbon molecules that are undetectable by catalytic and electrochemical sensors.

PID equipped instruments are generally the best choice for measurement of VOCs at exposure limit concentrations.

This table lists 10 common VOCs, their lower explosive limit (LEL) concentration and their exposure limits per the UK OEL, NIOSH REL and ACGIH TLV. The table also identifies those contaminants (highlighted in dark gray) with toxic exposure limits lower than 5%LEL.

Substance	Ionization Energy	Detectable by
carbon monoxide	14.01	electrochemical sensor
hydrogen cyanide	13.60	electrochemical sensor
methane	12.98	combustible sensor
sulfur dioxide	12.32	electrochemical sensor
oxygen	12.08	O ₂ sensor
chlorine	11.48	electrochemical sensor
chlorine dioxide	10.57	electrochemical sensor
hydrogen sulfide	10.46	electrochemical sensor
n-hexane	10.18	electrochemical sensor
ammonia	10.16	electrochemical sensor
phosphine	9.87	electrochemical sensor
nitrogen dioxide	9.75	electrochemical sensor
acetone	9.69	—
MEK	9.51	—
butadiene	9.07	—
toluene	8.82	—

↑ detectable by 10.6 PID ↓

Contaminant	LEL (Vol%)	OSHA PEL	NIOSH REL	TLV	5%LEL in ppm
Acetone	2.5	1,000 ppm TWA	250 ppm TWA	500 ppm TWA 750 ppm STEL	1250 ppm
Diesel (No. 2) vapor	0.6	None Listed	None Listed	15 ppm	300 ppm
Ethanol	3.3	1,000 ppm TWA	1000 ppm TWA	1000 ppm TWA	1,650 ppm
Gasoline	1.3	None Listed	None Listed	300 ppm TWA 500 ppm STEL	650 ppm
Hexane	1.1	500 ppm TWA	50 ppm TWA	50 ppm TWA	550 ppm
Isopropyl alcohol	2.0	400 ppm TWA	400 ppm TWA 500 ppm STEL	200 ppm TWA 400 ppm STEL	1000 ppm
Kerosene/Jet Fuels	0.7	None Listed	100 mg/M3 TWA (approx. 14.4 ppm)	200 mg/M3 TWA (approx. 29 ppm)	350 ppm
MEK	1.4	200 ppm TWA	200 ppm TWA 300 ppm STEL	200 ppm TWA 300 ppm STEL	700 ppm
Turpentine	0.8	100 ppm TWA	100 ppm TWA	20 ppm TWA	400 ppm
Xylenes (o, m and p isomers)	0.9 to 1.1	100 ppm TWA	100 ppm TWA 150 ppm STEL	100 ppm TWA 150 ppm STEL	450 ppm to 550 ppm

PID Detectable Gases

Acetaldehyde	Cyclohexylamine	Ethyl amine	Methoxymethylethoxy-2-propanol	Picoline, 3-
Acetic Anhydride	Cyclopentane	Ethyl benzene	2-methoxy-1-methylethyl acetate (PGMEA thinners)	Picric acid
Acetone	Decane, n-	Ethyl butyrate	Methoxypropan-2-ol	Pinene, alpha
Acrylic Acid	Diacetone alcohol	Ethyl hexyl acrylate, 2-	Methoxypropyl acetate	Pinene, beta
Allyl chloride	Dibromochloromethane	Ethylene	Methyl acetate	Piperidine
Ammonia	Dibromoethane 1,2-	Ethylene glycol	Methyl acrylate	Piperylene
Ammonium chloride	Dichloro-1-propene, 2,3-	Ferrocene	Methyl ethyl ketone (MEK)	Prop-2-yn-1-ol
Amyl acetate, n-	Dichloroacetylene	Formamide	Methyl isobutyl ketone (MIBK)	Propan-1-ol
Amyl alcohol	Dichlorobenzene o-	Furfural	Methyl isothiocyanate	Propan-2-ol
Aniline	Dichloroethene, 1,1-	Furfuryl alcohol	Methyl methacrylate	Propane-1,2-diol, total
Anisole	Dichloroethene, cis-1,2-	Gasoline vapors	Methyl oxirane	Propene
Asphalt, petroleum fumes	Dichloroethene, trans-1,2-	Gasoline vapors 92 octane	4-Methyl pentan-2-one	Propionaldehyde
Benzaldehyde	Dichloroethylene, 1,1-	Heptan-2-one	1-Methyl-prop-2-ene	Propionic acid
Benzenamene	Dichloroethylene 1,2-	Heptan-3-one	Methyl n-propyl ketone (MPK)	Propyl acetate, n-
Benzenethiol	Dicyclopentadiene	Heptane n-	Methyl salicylate	Propylene
Benzonitrile	Diesel Fuel	Hexamethyldisilazane, 1,1,1,3,3,3-	Methyl sulphide	Propylene oxide
Benzyl alcohol	Diethyl ether	Hexan-1-ol	Methyl t-butyl ether (MTBE)	Propyleneimine
Benzyl formate	Diethyl sulphide	Hexan-2-one	Methyl-2-propen-1-ol, 2-	Pyridine
Biphenyl	Diethylamine	Hexane n-	Methyl-2-pyrrolidinone, N-	Pyridylamine 2-
Bis (2,3-epoxypropyl) ether	Diethylaminoethanol, 2-	Hexene, 1-	Methyl-5-hepten-2-one, 6-	Pyrocatechol
Bitumen, petroleum fumes	Dihydrogen selenide	Hydrogen sulfide	Methylamine	Resorcinol
Bromobenzene	Diisobutylene	Hydroquinone	Methylbutan-1-ol, 3-	Safrole
Bromoethane	Diisopropyl ether	Hydroxypropyl acrylate 2-	Methylcyclohexane	Styrene
Bromoethyl methyl ether, 2-	Diisopropylamine	Iminodi(ethylamine) 2,2-	Methylcyclohexanol, 4-	Terpinolene
Bromopropane, 1-	Dimethoxymethane	Iminodiethanol 2,2'-	Methylcyclohexanone 2-	Tert-butanol
Butadiene	Dimethyl benzene	Indene	Methylheptan-3-one, 5-	Tetrabromoethane, 1,1,2,2-
Butadiene diepoxide, 1,3-	Dimethyl disulphide	Iodoform	Methylhexan-2-one, 5-	Tetracarbonylnickel
Butan-2-one	Dimethyl ether	Iodomethane	Methylhydrazine	Tetrachloroethylene
Butanol, 1-	Dimethyl ether	Isoamyl acetate	Methyl-N-2,4,6-tetranitroaniline, N-	Tetrachloronaphthalenes, all isomers
Buten-3-ol, 1-	Dimethyl formamide, N,N-	Isobutane	Methylpent-3-en-2-one, 4-	Tetraethyl orthosilicate
Butene, 1-	Dimethyl phthalate	Isobutanol	Methylpentan-2-ol, 4-	Tetrafluoroethylene
Butoxyethanol, 2-	Dimethyl sulphide	Isobutyl acetate	Methylpentane-2,4-diol, 2-	Tetrahydrofuran
2-butoxyethyl acetate	Dimethylacetamide N,N-	Isobutyl acrylate	Methylpropan-2-ol, 2-	Tetrahydrothiophene
Butyl acetate, n-	Dimethylamine	Isobutylene	Methylstyrene	Thiophane
Butyl acrylate, n-	Dimethylaminoethanol	Isobutyraldehyde	Mineral spirits	Toluene
Butyl lactate	Dimethylaniline, NN-	Isooctane (Naphtha)	Monochlorobenzene	Tributylamine
t-Butyl methyl ether (MTBE)	Dimethylbutyl acetate	Isooctyl alcohol	Naphtha (iso-octane)	Trichlorobenzene 1,2,4-
Butylamine, 2-	Dimethylethylamine, NN-	Isopentane	Naphthalene	Trichloroethylene
Butylamine, n-	Dimethylformamide	Isophorone	Nitric oxide	Trimethylamine
Camphene	Dimethylheptan-4-one, 2,6-	Isoprene	Nitroaniline 4-	Trimethylbenzene mixtures
Carbon disulfide	Dinitrobenzene, m-	Isopropanol	Nitrogen trichloride	Trimethylbenzene, 1,3,5-
Carbon tetrabromide	Dinitrobenzene, p-	Isopropyl acetate	Nonane, n-	Turpentine
Chloro-1,3-butadiene, 2-	Dinonyl phthalate	Isopropyl alcohol	Octane, n-	TVOC
Chlorobenzene	Dioxane 1,2-	Isopropyl chloroformate	Octene, 1-	Undecane, n-
Chloroethyl methyl ether, 2-	Dioxane 1,4-	Isosafrole	Oxydiethanol 2,2-	Vinyl acetate
Chlorotoluene, o-	Diphenyl ether	Jet Fuel JP-4	Pentan-2-one	Vinyl bromide
Chlorotoluene, p-	Diphenylamine	Jet Fuel JP-5	Pentan-3-one	Vinyl chloride
Chlorotrifluoroethylene	Divinylbenzene	Jet Fuel JP-8, Jet A1	Pentandione, 2,4-	Vinylethylene
Cresol, m-	Epoxypropyl isopropyl ether, 2,3-	Kerosene	Pentane, n-	Vinyl-2-pyrrolidinone, 1-
Cresol, o-	Ethanal	Ketene	Phenol	Xylene mixed isomers
Cresol, p-	Ethanol	n-Limonene	Phenyl-2-propanone	Xylene, m-
Crotonaldehyde	Ethanolamine	Mesitylene	Phenyl propene, 2-	Xylene, o-
Cumene	Ethoxyethanol, 2-	Methacrylic acid	Phenyl-2,3-epoxypropyl ether	Xylidine, all
Cyclohexane	Ethyl (S)-(-)-lactate	Methacrylonitrile	Phenylenediamine, p-	
Cyclohexanol	Ethyl acetate	Methoxyethanol, 2-		
Cyclohexanone	Ethyl alcohol	Methoxyethoxyethanol, 2-		
Cyclohexene	Ethyl acrylate			

Note: This list is not all-inclusive. For a complete list of PID-detectable gases, please consult your RSM or a factory location. As PID is a non-specific sensing technology, it is recommended you verify detection capabilities for any specific compounds.

USA Quick Ship Program & Standard Lead Times

In response to customer feedback, Honeywell Analytics and Honeywell offer accelerated shipment of standard products to serve you better. Portable gas detectors, accessories and spares as specified below are targeted to ship in 48-hours from order placement. Maximum order quantity applies.

*If ordering above this quantity, please use lead time for "All other configurations"

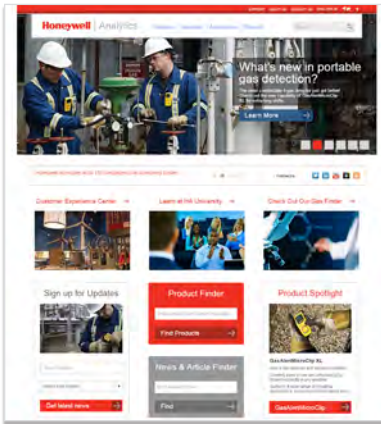
**If ordering above this quantity, please contact customer service for lead-time

			Lead Time (days)	Max Qty
Honeywell BW Clip® Series	BWC2-H	24 month H ₂ S detector	2	80*
	BWC2-M	24 month CO detector	2	50*
	BWC2-S	24 month SO ₂ detector	2	50*
	BWC2-X	24 month O ₂ detector	2	50*
	BWC3-H	36 month H ₂ S detector	2	80*
	BWC3-M	36 month CO detector	2	10*
	All other configurations	Honeywell BW Clip® Series	6	1000**
Honeywell BW™ Solo	BWS-HL-Y	H ₂ S detector	2	10*
	BWS-ML-Y	CO detector	2	10*
	BWS-XL-Y	O ₂ detector	2	10*
	BWS-A2-Y	NH ₃ (extended range) detector	2	10*
	All other configurations	Honeywell BW™ Solo	6	500**
Honeywell BW™ Icon	ICON-Y-H	%LEL, O ₂ , H ₂ S, CO detector	2	10*
	All other configurations	Honeywell BW™ Icon	10	500**
Honeywell BW™ Flex	CPD-W5X1H1M1-00	%LEL, O ₂ , H ₂ S, CO detector	2	25*
	All other configurations	Honeywell BW™ Flex	10	100*
Honeywell BW™ MicroClip XL	MCXL-XWHM-Y-NA	%LEL, O ₂ , H ₂ S, CO detector	2	10*
	All other configurations	Honeywell BW™ MicroClip XL	6	100**
Honeywell BW™ MicroClip X3	MCX3-XWHM-Y-NA	%LEL, O ₂ , H ₂ S, CO detector	2	10*
	All other configurations	Honeywell BW™ MicroClip X3	6	100**
Honeywell BW™ Clip4	BWC4-Y-N	%LEL, O ₂ , H ₂ S, CO detector, yellow housing	2	25*
	All other configurations	Honeywell BW™ Clip4	12	700**
Honeywell BW™ Max XT II	XT-XWHM-Y-NA	%LEL, O ₂ , H ₂ S, CO detector	2	10*
	XT-XWHM-Y-NA-CS	%LEL, O ₂ , H ₂ S, CO detector, with confined space kit	2	4*
	All other configurations	Honeywell BW™ Max XT II	6	100**
Honeywell BW™ Ultra	HU-X1W1H1M100-Y-N	%LEL, O ₂ , H ₂ S, CO detector, rechargeable battery, pump and datalogging	2	3*
	HU-X1W1H1M1S1-Y-N	%LEL, O ₂ , H ₂ S, CO, SO ₂ detector, rechargeable battery, pump, and datalogging	2	2*
	HU-X1W1H1M1Q1-Y-N	VOCs, %LEL, O ₂ , H ₂ S, CO detector, rechargeable battery, pump, and datalogging	2	3*
	All other configurations	Honeywell BW™ Ultra	6	25**
Honeywell IntelliDoX®	DX-CLIP	Honeywell IntelliDoX® docking station for Honeywell BW Clip® Series	2	2*
	DX-MCPL	Honeywell IntelliDoX® docking module for Honeywell BW™ MicroClip Series	2	2*
	DX-BWC4	Honeywell IntelliDoX® docking station for Honeywell BW™ Clip4	2	2*
Sensors & Cartridges	D4-RHM04	Replacement Duo-Tox (CO/H ₂ S) sensor	2	10*
	SR-H-MC	Replacement MICROceL [®] H ₂ S sensor	2	10*
	SR-M-MC	Replacement MICROceL [®] CO sensor	2	10*
	SR-M04-SC	Replacement CO SureCell™ 4 series, 0 ppm to 1000 ppm	2	5*
	SR-W04	Replacement combustible sensor, with heavy-duty silicone filter	2	5*
	SR-W-MP75C	Replacement MICROpeL [®] %LEL sensor	2	10*
	SR-X2V	Replacement O ₂ sensor	2	10*
	SR-X3P	Replacement O ₂ sensor	2	10*
	54-49-14	Replacement Duo-Tox (CO/H ₂ S) sensor for MultiPro™	2	10*
	All other configurations	Sensors	6	25**
	All other configurations	Exotic/Smart Sensors (some exceptions apply)	16	25**
Accessories	Batteries, chargers and pumps		6	10**
	Accessories		6	10**
	Calibration gas	Standard	3	10**
	Calibration gas	Exotic	6	10**

Note: Unless otherwise notified in writing, Honeywell Analytics and Honeywell ships whole orders only. Shipments containing products with both extended lead times and a 48-hour target lead time, will defer to the longest lead time. Impacts from any global electronic part shortages may potentially override the 48-hour shipment target. Program available to orders placed in the USA only.

Honeywell Analytics Online

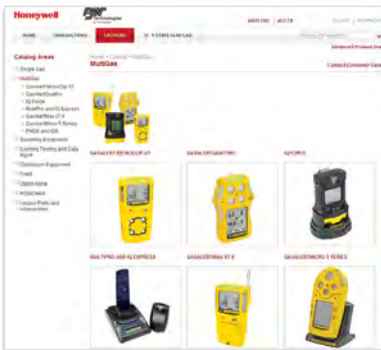
Honeywell Analytics has several online tools to help serve our business partners and customers better. In this section you will find a variety of resources that will allow you to connect with Honeywell Analytics, provide you with up-to-date product information and teach you how to properly use, service and maintain your equipment.



Honeywell Analytics Website

- User interface and site navigation provides users with an easy way of getting to the information they need quickly
- Tools to find relevant products including our Product Finder and advanced search filters allows users to search by brand, application, industry or gas type
- Consolidation of many other websites to once central location so our users can find everything they need in once place
- Responsive design for optimized viewing experiences on mobile devices
- Improved performance for faster loading times and a streamlined experience

To explore these features and more, please visit us at www.sps.honeywell.com.



Honeywell Analytics Webstore

Honeywell Analytics e-Commerce Webstore will serve as an additional means to help serve our customers better.

The Webstore will enable our distribution partners to perform actions such as:

- Place orders and avoid minimum order fees
- Track shipments
- View product catalog and availability in real-time
- Access historical order information

Users must register by emailing shopHA@honeywell.com to receive access, To help process your registration faster, your email will need to contain the following information:

- Full Name
- Company Name
- Phone Number
- Email Address

You will receive an email containing your user name, temporary password and a login URL within two business days.



Honeywell Analytics University

Honeywell Analytics is committed to improving the competence and confidence of our customers—internal and external—by providing the highest quality application and sales training on our industry-leading Gas Detection products.

Our HA University (HAU) courses are designed to provide a thorough understanding of Honeywell Analytics products and services, as well as their operation and maintenance.

Visit www.hautraining.com for access to:

- Online courses
- Classroom courses
- Informational videos
- Training centers and hotel information
- Technical notes

Social Media

Connect with Honeywell Analytics online with our social media channels.

YouTube www.youtube.com/HoneywellSafety

Twitter www.twitter.com/HoneywellSafety

LinkedIn www.linkedin.com/company/Honeywell

Warranty, Repair, Service and Returns

For Portable Gas Detection Equipment

Honeywell provides simple options for service and repair of your portable gas detection instruments with the type of support to keep your plant and people safe and to keep your business up and running. The following Honeywell Analytics' (HA) warranty, service/repair and return programs apply to Honeywell portable gas detection product brands.

Warranty

- Honeywell manufactured products including instruments, accessories and sensors have a limited 2-year warranty period from factory ship date against defects in materials and workmanship (unless otherwise specified). The warranty is void in cases of product damage due to misuse, corrosion or modification.
- Standard product warranty excludes calibration gas and consumable items such as sensor screens and alkaline batteries. For calibration gas, refer to the expiration date on the gas cylinder.
- For specific warranty information, please refer to the documentation supplied with the product.

Honeywell offers an advance replacement program for products less than 75 days old and a replacement or repair program for products under warranty. To take advantage of warranty programs, distributors can obtain Return Material Authorization (RMA) by contacting the Honeywell Service Repair Workshop (see contact information below).

Service and Repair

For out-of-warranty product, service and repairs can be initiated by obtaining a Service Notification Number (SNN) from the Honeywell Service Repair Workshop (see contact information below). Service Made Simple Pricing is available on the partner portal (<https://sps.honeywell.com/partners/safety>)

Shipping

All shipping, freight and applicable taxes are in addition to base charge.

Dangerous Goods

Some products may contain materials that are regulated for transportation under domestic and international dangerous goods regulations. Product must be returned in compliance with all applicable dangerous goods regulations. Contact your carrier for further instructions.

Service Made Simple

Pricing is available on the partner portal (<https://sps.honeywell.com/partners/safety>) for Platinum and Gold Service Contracts, Rental Contracts and On Demand Repair and/or Calibration services. You can learn more about Service Made Simple on the partner portal or by contacting your local Honeywell sales representative.

Product Returns

Honeywell offers a return-for-credit program for products returned within 60 days of the date of shipment from the manufacturing facility. The following conditions apply to the return-for-credit program:

- Returned product will be subject to a 25% restocking fee
- Credit will only be issued for returns valued at over \$250 per sales order
- Product must be returned in its original, "sellable" condition.

For Warranty, Repair, Service and Returns, please use the contact information below:

US Portables Service and Repair Center – Pasadena, Texas

Honeywell Industrial Safety
Bay Area Business Park, Building Two
9401 Bay Area Boulevard, Suite 400
Pasadena, TX 77507

Tel: 1-800-538-0363 Option 2; Option 3

RMA for Warranty Repair/Replacements and Flat Rate Repairs: bwa.rma@honeywell.com

Honeywell Analytics Lines of Business



Commercial

Gas detection from standalone units to fully engineered, multi-point systems, all offering cost-effective regulatory compliance

Applications:

- Parking structures
- Chillers
- Mechanical rooms
- Office towers
- Commercial buildings
- Shopping centers
- Swimming pools
- Golf courses
- Schools and universities
- Laboratories



Industrial

Renowned Sieger and Manning gas detection systems with advanced electrochemical, infrared, and open path sensing technologies

Applications:

- Oil and gas
- Cold storage
- Water/wastewater treatment
- Chemicals
- Engine rooms
- Plastics and fibers
- Agriculture
- Printing and light industrial



Portables

Single or multi-gas and other premium detectors with compact, lightweight designs ranging from simple alarm only units to advanced, fully configurable and serviceable instruments

Applications:

- Underground utility and electricity ducts
- Boiler rooms
- Post-fire sites
- Sewers
- Industrial plants
- Industrial hygiene
- First responder teams
- Remote fleets



High Tech & Government

A complete portfolio of gas and chemical detection instrumentation including infrared spectroscopy (MST) with no cross interference, to Chemcassette paper-based solutions (MDA Scientific) offering detection down to parts per billion

Applications:

- Semiconductor manufacturing and nanotechnology
- Aerospace propulsion and safety
- Specialty chemicals industry
- Research laboratories
- Emergency response



Technical Services

24/7 global network includes post-sales service and Systems Integration teams

- Emergency call out, service contracts, on/off-site repair, training and commissioning
- Complete range of spares, consumables and accessories

Partner Portal

www.safety.honeywell.com/partners

Access to important Honeywell tools including marketing assets, MDF programs as well as partner news and events.

Find out more

www.honeywellanalytics.com

USA

Honeywell Analytics Inc
Formerly BW Technologies
405 Barclay Blvd
Lincolnshire IL 60069-3609

+1.888.749.8878
+1.800.538.0363
Option 2: Portable Products >
Option 1: Order status, price,
and availability

TXOJ_InsideSales@Honeywell.com

Webstore

order.honeywellanalytics.com

Shop Portables products anytime, anywhere. Plus:
Place orders,
Track shipments,
View products & availability,
Access current or past order information.

Email shopHA@honeywell.com
and ask for Webstore user ID.

Technical Services

is.gas.techsupport@honeywell.com

Canada

BW Technologies LP
#110, 4411 – 6th Street SE
Calgary, Alberta, Canada
T2G 4E8

+1.888.749.8878
+1.800.538.0363
TXOJ_InsideSales@honeywell.com

Latin & South America Brazil

Honeywell Industria
de Tecnologia Ltda
Rua Oswaldo Cruz, 615 Varginha
Itajubá – MG

+55.35.3629.9000
atendimento.his@honeywell.com

Latin & South America Mexico and CSAR

Honeywell Analytics Inc
405 Barclay Blvd
Lincolnshire IL 60069-3609
USA

Mexico
Mexico +52.44.4123.7544
atencionalclientemexico.his@honeywell.com

CSAR
+52.44.4102.7964
atencionalcliente.his@honeywell.com

Please Note:

Prices shown in this document do not include shipping or applicable taxes unless explicitly stated. Please note that prices, specifications and exact product offering are subject to change without notice. Additional shipping and handling fees may apply for some products.

In the event a price is published incorrectly, Honeywell International reserves the right to sell the item at the correct (actual) price.

This publication is not intended to form the basis of a contract.

5062-33-USD-EN

© 2022 Honeywell International Inc.

Honeywell